

Zhaga PIR Sensor CONP-P Installation

Please read the instructions thoroughly, including the installation instructions for the luminaire and retain for future reference.

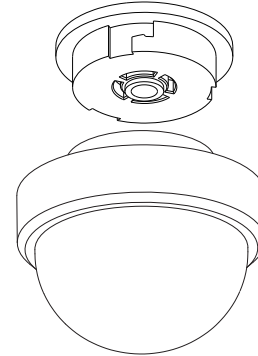
The **CONP-P** sensor is suitable for ON/OFF/Dimming control of Kosnic luminaires where specified on the luminaire datasheets. The sensor has a detection radius of 9m when mounted at a height of 1.6m. The operating parameters can be set by the remote control RMT-UNI.

Safety Information

- Installation must be carried out in accordance with national building and wiring regulations. If you are in any doubt about installing this product, please consult a qualified electrician.
- The sensor is suitable for connection to a 12-24Vdc supply.

Installation

- Before commencing installation, turn off and isolate the circuit to be worked on by removing the fuse or switching the circuit breaker off at the distribution board.
- Refer to your specific luminaire instructions for location of Zhaga connector.
- Remove cover from Zhaga connector on luminaire.
- Push sensor into Zhaga connector as shown.
- Twist the sensor to lock in position.
- Reconnect the power supply.
- Use remote control **RMT-UNI** to adjust settings (see below).

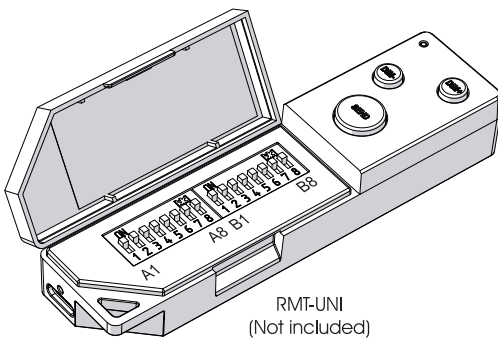


Remote Control (RMT-UNI)

The remote control is useful for testing, adjusting settings. The below features of the remote control will be available for use with **CONP-P**. Please refer to the remote-control instructions for specific details.

Available Features

Hold Time, Daylight Threshold, Stand-by Period, Stand-by Dim Level, Detection Area, Brightness, User Key, Pair Key, Manual Override (ON), Manual Override (OFF), Dim Up, Dim Down



A1	A2	Hold Time	A3	A4	Daylight Threshold	A5	A6	Stand by Period	A7	A8	Stand-by Dim Level
—	—	5 S	—	—	Disable	—	—	0 S	—	—	10%
ON	—	1 Min	ON	—	30LUX	ON	—	1 Min	ON	—	20%
—	ON	5 Mins	—	ON	100LUX	—	ON	10 Mins	—	ON	50%
ON	ON	30 Mins	ON	ON	300LUX	ON	ON	+∞	ON	ON	100%
B1	B2	Detection Area	B3	B4	CCT	B5	B6	Brightness	B7	Use Key	
—	—	25%	—	—	2700K	—	—	50%	ON	Yes	
ON	—	50%	0	—	FUNCTION UNAVAILABLE	ON	—	75%	—	No	
—	ON	75%	—	—	VIA SENSOR	—	ON	90%	B8	Pair Key	
ON	ON	100%	ON	ON	6000K	ON	ON	100%	ON	Yes	
									—	No	

Please note that "To reset the security pairing, from sensor power on within 2 minutes, switch the supply OFF/ON three times within 5 seconds." in the RMT-UNI instructions cannot apply to this sensor.

For the CONP-P, to reset the securely paired remote control, using any remote control to set DIP switch **B7** to "—", then long press "DIM+" > 5S. The luminaire will flash for 30 seconds. If there is no "Pairing" command received from a remote control during this time, the sensor can be controlled by setting the "User Key" to "No".

The sensor can achieve the below functions via the keys on the front of the remote.

Function	Action on keys	Status & Indicator	Return to automatic operation	Remarks
Manual Override (ON)	Double press "DIM+"	Blue indicator will flash 1 per second. The connected luminaire will be ON in max. brightness.	After a period of 30 mins if no motion is detected or double press "DIM+" at any time during this period.	Any motion detected will re-start the 30 min timer.
Manual Override (OFF)	Double press "DIM-"	Blue indicator will flash 1 per second. The connected luminaire will be OFF .	After a period of 30 mins if no motion is detected or double press "DIM-" at any time during this period.	Any motion detected will re-start the 30 min timer.
Dim Up	Press/Hold down "DIM+"	Blue indicator will flash 1 per second. The connected luminaire will step up in brightness.	After a period of 30 mins or double press "DIM+" or "DIM-"	Dim the connected luminaire up between the min. and the max. brightness.
Dim Down	Press/Hold down "DIM-"	Blue indicator will flash 1 per second. The connected luminaire will step down in brightness.	After a period of 30 mins or double press "DIM+" or "DIM-"	Dim the connected luminaire down between the max. and the min. brightness.

Dusk to Dawn Function

Set "Stand-by Period" to + ∞, "Stand-by DIM Level" to 100% and "Daylight Threshold" to 30Lux will activate dusk to dawn function. The connected luminaire will only detect ambient light levels and switch on or off.

Daylight Priority Function

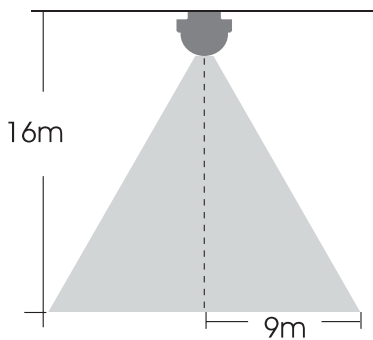
When the ambient light is above the setting "LUX OFF" value, the connected luminaire will switch OFF even if motion is detected. The luminaire will switch on at stand-by DIM level automatically when the ambient light is below the setting "LUX ON" value, and the daylight sensor will learn a value as the "LUX OFF" value for the next time. If motion is detected, the luminaire will dim up to the maximum light level.

	A5	A6	Stand-by Period
<input type="checkbox"/> ON	-	-	0 S
<input type="checkbox"/> ON	-	-	1 Min
<input type="checkbox"/> ON	-	ON	10 Mins
<input type="checkbox"/> ON	ON	ON	+ ∞

	A3	A4	Daylight Threshold
<input type="checkbox"/> ON	-	-	Disable
<input type="checkbox"/> ON	ON	-	30Lux ON, 100Lux OFF
<input type="checkbox"/> ON	-	ON	100Lux ON, 300Lux OFF
<input type="checkbox"/> ON	ON	ON	300Lux ON, 500Lux OFF

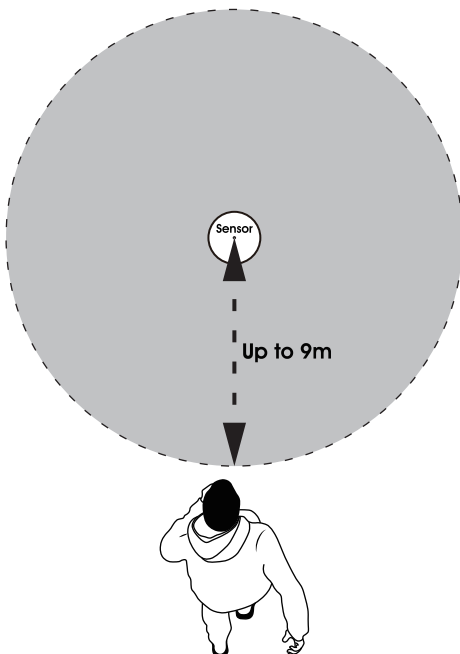
	A7	A8	Stand-by DIM Level
<input type="checkbox"/> ON	-	-	10%
<input type="checkbox"/> ON	ON	-	20%
<input type="checkbox"/> ON	-	ON	50%
<input type="checkbox"/> ON	ON	ON	100%

Detection Range

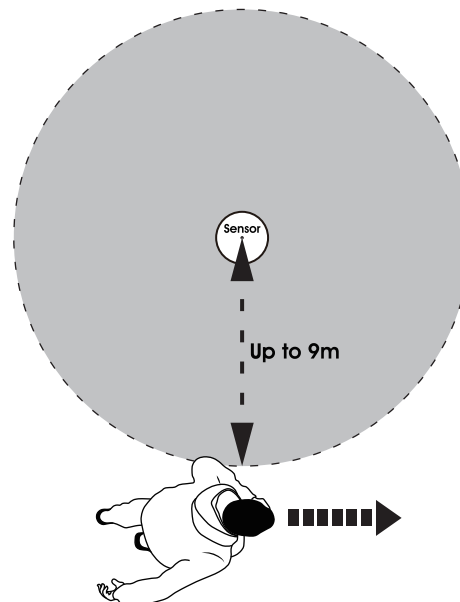


Detection area	Detection radius (Walking speed: 1m/s)
100%	9m
75%	3.5m
50%	1m
25%	-

Mounting Height: 16m
(Walking towards sensor)



Mounting Height: 16m
(Walking perpendicular to sensor)



L'élimination du produit et des matériaux d'emballage doit être conforme au décret français No. 2021-835 (France uniquement)



The Waste Electrical & Electronic Equipment Regulations (WEEE) require that products bearing this symbol must not be disposed of with household waste as they may contain substances harmful to the environment. The Local Authority can provide advice on recycling.