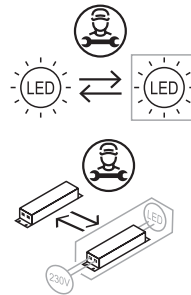


LED LAMP SPECIFICATIONS:	5W	6W
Luminaire lumens (with diffuser)	530 lm	530 lm
Lumens from chip (no diffuser)	700 lm	700 lm
Useful lumens	490 lm	490 lm
Rated Wattage	5W	6W
Rated luminous flux	490 lm	490 lm
Nominal life time of the lamp	25,000 hrs	25,000 hrs
Colour temperature	3000K	3000K
Number of switching cycles before premature lamp failure	12,500	12,500
Warm-up time up to 60% of the full light output	Instant Full Light	Instant Full Light
Dimmable	No	No
Nominal beam angle	120°	120°
Rated power	5W	6W
Rated lamp lifetime	25,000 hrs	25,000 hrs
Displacement factor	≥0.9	≥0.9
Lumen maintenance factor at end of nominal life	≥0.8	≥0.8
Starting time	Instant Full Light	Instant Full Light
Colour rendering	≥80	≥80
Colour consistency	Within a six step Macadam ellipse	Within a six step Macadam ellipse
Rated peak intensity	165.52cd	165.52cd
Rated beam angle	120°	120°
Voltage / Frequency	240V~50Hz	240V~50Hz
Lumen efficacy	106 lm / W	88 lm / W
This product contains a Light Source of Energy Efficiency Class E		
Not suitable for accent lighting		

See website for more information on replacability and recycling



INSTALLATION INSTRUCTIONS

A guide for qualified electricians

Pack contents:
1 x LED fitting
1 x Fixing kit



EVENTUALLY, YOU MAY WANT TO REPLACE THIS PRODUCT:

Regulations require the recycling of Waste from Electrical and Electronic Equipment (European "WEEE Directive" effective August 2005—UK WEEE Regulations effective February 2014). Environment Agency Registered Producer: WEE/GA0248QZ.

WHEN YOUR PRODUCT COMES TO THE END OF ITS LIFE OR YOU CHOOSE TO REPLACE IT, PLEASE RECYCLE IT WHERE FACILITIES EXIST - DO NOT DISPOSE WITH HOUSEHOLD WASTE.

IF YOU EXPERIENCE PROBLEMS:

If you believe your product is defective, please return it to the place where you bought it. Our Technical Team will gladly advise on any Eterna Lighting product, but may not be able to give specific instructions regarding individual installations.



Model:
LEDOM5WH / LEDOM5CR
LED SH6WH / LED SH6CR

LED Over Mirror Light / LED Dual Voltage Shaver Light

These instructions are provided as a guideline to assist you.

**PLEASE READ THESE INSTRUCTIONS BEFORE USING YOUR NEW FITTING
PLEASE RETAIN FOR FUTURE REFERENCE**

Email: sales@eterna-lighting.co.uk / technical@eterna-lighting.co.uk

Visit our website: www.eterna-lighting.co.uk

Made in China

READ THIS FIRST:

Check the pack and make sure you have all of the parts listed on the front of this booklet. If not, contact the outlet where you bought this product.

This product must be installed by a competent person in accordance with the current building and IEE wiring regulations.

As the buyer, installer and/or user of this product it is your own responsibility to ensure that this product is fit for the purpose for which you have intended it. Eterna Lighting cannot accept any liability for loss, damage or premature failure resulting from inappropriate use.

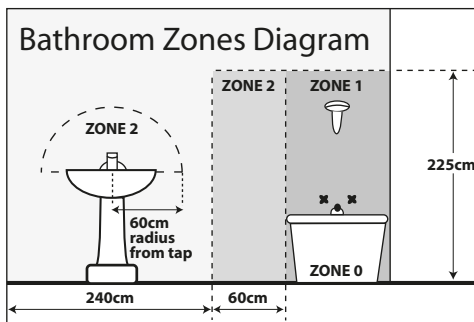
This product is designed and constructed according to the principles of the appropriate British Standard and is intended for normal domestic service. Using this fitting in any other environments may result in a shortened working life.

Switch off the mains before commencing installation and remove the appropriate circuit fuse or lock off MCB.

This unit is suitable for indoor use only.

This product is suitable for use in living areas, and Bathroom dry (Outside) Zones only (see diagram below and current IEE Wiring Regulations for details). It is not suitable for Bathroom Zones 0, 1, 2, or other areas where contact with moisture is likely.

If being fitted in a bathroom a 30mA RCD must be used.



This product is designed for permanent connection to fixed wiring: this must be a suitable circuit (protected with the appropriate MCB or fuse).

This product is suitable for installation on surfaces with normal flammability e.g. wood, plasterboard and masonry. It is not suitable for use on highly flammable surfaces (e.g. polystyrene, textiles).

Before making fixing hole(s), check that there are no obstructions hidden beneath the mounting surface such as pipes or cables.

The chosen location of your new fitting should allow for the product to be securely mounted and safely connected to the mains supply (lighting circuit).

Do not cover the fitting.

When making connections ensure that the terminals are tightened securely and that no strands of wire protrude. Check that the terminals are tightened onto the bared conductors and not onto any insulation.

This product is not intended to be used by children and persons with sensory, physical and/or mental impairments that would prevent them from using it safely.

You are advised at every stage of your installation to double-check any electrical connections you have made. After you have completed your installation there are electrical tests that should be carried out, these tests are specified in the current IEE wiring and building regulations.

CLEANING:

Clean this product only with a soft dry cloth.

Disconnect the power and clean the exterior only of this fitting with a moist (not wet) cloth.

The diffuser may be removed and washed in a mild detergent solution. Make sure the diffuser is completely dry before putting back on your light fitting.

Do not use any chemical or abrasive cleaners.

The light source contained in this luminaire shall only be replaced by the manufacturer, service agent or a similar qualified person.
CAUTION, RISK OF ELECTRIC SHOCK.



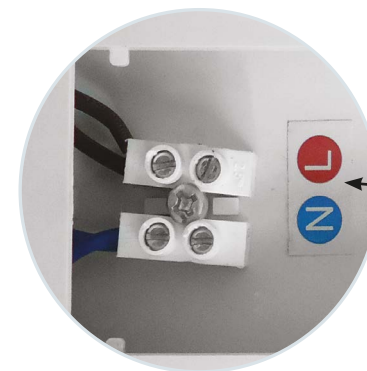
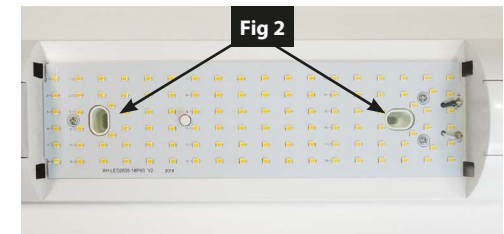
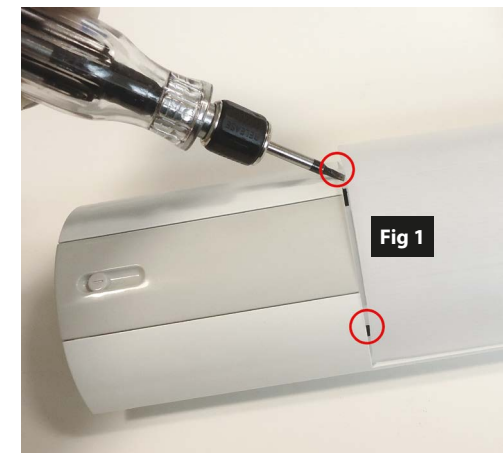
INSTALLATION:

01. Remove the diffuser by lifting at the points shown in Fig 1 with a flat blade screwdriver.
02. Place the fitting in the desired location and use as a template to mark the fixing points. See Fig 2.
03. If fixing directly to the wall, drill holes and use wall plugs provided.
04. On the back of the fitting remove the small cover in the center by removing 1 x screw only. See Fig 3.
05. Make connections to the electrical supply in accordance with the following code:

Live – Brown wire marked (L)
Neutral – Blue wire marked (N)
06. Replace the back cover.
07. Secure the fitting in place using the fixings supplied, if the fixings are not suitable to your installation use appropriate alternatives.
08. Replace diffuser.
09. Restore power and switch on.

NOTE:

The shaver socket supplied with this unit is designed with an isolating transformer for standard shaver plugs and may not be suitable for other devices i.e. electric toothbrushes



Terminals are located under the cover on the back of the fitting

