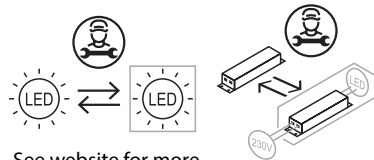


LED LAMP SPECIFICATIONS:	
Luminaire lumens (with diffuser)	130 lm
Lumens from chip (no diffuser)	878 lm
Useful lumens	665 lm
Rated Wattage	9W
Rated luminous flux	130 lm
Nominal life time of the lamp	30,000 hrs
Colour temperature	3000K
Number of switching cycles before premature lamp failure	15,000
Warm-up time up to 60% of the full light output	2s
Dimmable	No
Nominal beam angle	120°
Rated power wattage	9W
Rated lamp lifetime	30,000 hrs
Displacement factor	>0.7
Lumen maintenance factor at end of nominal life	>0.8
Starting time	0.5s
Colour rendering	80 Ra
Colour consistency	Within a six step Macadam ellipse
Rated beam angle	120°
Voltage / Frequency	240V~50Hz
This product contains a Light Source of Energy Efficiency Class F	
Not suitable for accent lighting	



See website for more information on replacability and recycling

ENERGY

Eterna Lighting Ltd
LEDMIRROR

9 kWh/1000h

2019/2015

ENERGY

Eterna Lighting LTD
LEDMIRROR

9 kWh/1000h

2021 No. 1095

INSTALLATION INSTRUCTIONS

A guide for qualified electricians



Pack contents:
1 x LED mirror light
1 x Fixing kit

Model:
LEDMIRROR

LED Mirror Light With Dual Voltage Shaver Socket

These instructions are provided as a guideline to assist you.

PLEASE READ THESE INSTRUCTIONS BEFORE INSTALLATION AND RETAIN FOR FUTURE REFERENCE

EVENTUALLY, YOU MAY WANT TO REPLACE THIS PRODUCT:

Regulations require the recycling of Waste from Electrical and Electronic Equipment (European "WEEE Directive" effective August 2005—UK WEEE Regulations effective 2nd January 2007). Environment Agency Registered Producer: WEE/GA0248QZ.

WHEN YOUR PRODUCT COMES TO THE END OF ITS LIFE OR YOU CHOOSE TO REPLACE IT, PLEASE RECYCLE IT WHERE FACILITIES EXIST - DO NOT DISPOSE WITH HOUSEHOLD WASTE.

CLEANING:

Clean this light fitting only with a soft dry cloth.
Do not use any chemical or abrasive cleaners.

IF YOU EXPERIENCE PROBLEMS:

If you believe your product is defective, please return it to the place where you bought it. Our Technical Team will gladly advise on any Eterna Lighting product, but may not be able to give specific instructions regarding individual installations.



Email: sales@eterna-lighting.co.uk / technical@eterna-lighting.co.uk

Visit our website: www.eterna-lighting.co.uk

Made in China

READ THIS FIRST:

Check the pack and make sure you have all of the parts listed on the front of this booklet. If not, contact the outlet where you bought this product.

This product contains glass, care must be taken when assembling, fitting or handling to prevent personal injury or damage to the product.

This light fitting must be installed in accordance with the Building Regulations making reference to the current edition of the IEE Wiring Regulations (BS7671).

Switch off the mains before commencing installation and remove the appropriate circuit fuse.

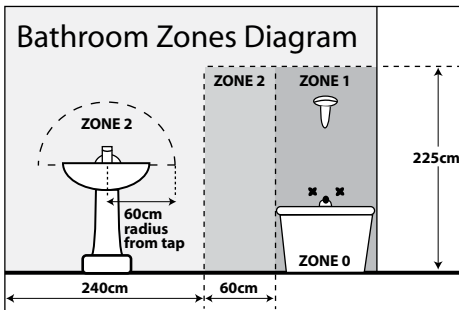
This fitting contains an isolating transformer rated at 20W maximum and is only intended for use with electric shavers. It is possible to connect other devices to the socket outlet such as chargers for electric toothbrushes provided they are fitted with the correct plug. Use of the socket to power equipment requiring greater than 20W will cause the transformer to overheat and/or stop working altogether. Please refer to the manufacturers instructions supplied with your appliance to determine whether it is suitable for use in the location where you have installed your shaver light and that the power consumption is less than 20W.

The switch in your fitting turns the light on and off. The sockets are permanently live.

When using the shaver socket, ensure that the correct socket is used according to the working voltage of your appliance. Connecting your appliance to the wrong socket could cause permanent damage to your appliance, your fitting or both.

Suitable for indoor use only.

This fitting is suitable for use in bathrooms outside of zone 2. This fitting must not be installed in zones 0, 1 or 2 see diagram below:



This product is suitable for installation on surfaces with normal flammability e.g. wood, plasterboard, masonry. It is not suitable for use on highly flammable surfaces (e.g. polystyrene, textiles).

Before making fixing hole(s), check that there are no obstructions hidden beneath the mounting surface such as pipes or cables.

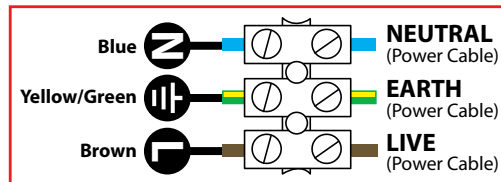
The chosen location of your new fitting should allow for the product to be securely mounted and safely connected to the mains supply (lighting circuit).

The fitting, especially the shaver socket, should be placed where it cannot be splashed.

This product is designed for permanent connection to fixed wiring: this should be either a suitable lighting circuit (protected with a 5 or 6 Amp MCB or fuse) or a fused spur (with a 3 Amp fuse) via a fused connection unit. We recommend that the supply incorporates a switch for ease of operation.

Make connections to the electrical supply in accordance with the following code:

Live - Brown or Red
Neutral - Blue or Black
Earth - Green and Yellow



This product must be connected to Earth.

When making connections, ensure that the terminals are tightened securely and that no strands of wire protrude. Check that the terminals are tightened onto the bared conductors and not onto any insulation. Wrap loose terminal blocks well with insulating tape.

Disconnect the fitting from the electrical supply before flash or high voltage testing.

Suitable for indoor use only.

If the location of your new fitting requires the provision of a new electrical supply, the supply must conform with the requirements of the Building Regulations making reference to the current edition of the IEE Wiring Regulations (BS7671).

You are advised at every stage of your installation to double-check any electrical connections you have made. After you have completed your installation there are electrical tests that should be carried out: these tests are specified in the Wiring Regulations (BS7671) referred to in the Building Regulations.

INSTALLATION:

01. Choose the location for your mirror light complying with the conditions listed opposite.
02. Lay the fitting flat and remove the four screws that retain the mirror (two each side).
03. Lift the mirror off of the fitting and store safely.
04. Using the metal case as a template, mark the position of the fixing holes. Laying a spirit level across the top of the metal case will help ensure that your mirror is installed level.
05. Prepare the fixing holes as appropriate to your mounting surface.
06. Pierce the rubber grommet in the cable entry hole that you intend to use. Do not make the hole too large, the rubber grommet must make a watertight seal around the supply cable.
07. Thread the supply cable through the pierced grommet.
08. Secure the metal case to the wall using the fixings supplied. If the fixings supplied are not appropriate to your installation, use suitable alternatives.
09. Remove the plastic box covering the mains terminals.
10. Make the electrical connections according to the code opposite.
11. Re-fit the plastic cover over the terminals.
12. Check that the soft gasket is correctly positioned around the facing edge of the metal case.
13. Replace the mirror and secure in position using the four screws removed previously. Press firmly on the mirror to ensure a tight fit against the gasket before tightening screws.
14. Restore the power and switch on.

NOTE:

The shaver socket supplied with this unit is designed for standard shaver plugs and may not be suitable for other devices i.e. electric toothbrushes

REPLACEMENT LAMP TYPE:

The light source is designed to last the lifetime of the luminaire.

The light source contained in this luminaire shall only be replaced by the manufacturer, service agent or a similar qualified person.

CAUTION, RISK OF ELECTRIC SHOCK.

