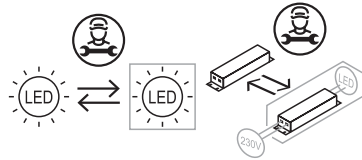


LED LAMP SPECIFICATIONS:	
Luminaire lumens (with diffuser): 3100K, 4200K, 6400K	1180 lm 1290 lm 1230 lm
Lumens from chip (no diffuser): 3100K, 4200K, 6400K	1420 lm 1570 lm 1530 lm
Useful lumens (array): 3100K, 4200K, 6400K	1120 lm 1200 lm 1170 lm
Rated Wattage	12W
Rated luminous flux	1120/1200/1170 lm
Nominal life time of the lamp	40,000 hrs
Colour temperature	3100/4200/6400K
Number of switching cycles before premature lamp failure	≥15,000
Warm-up time up to 60% of the full light output	Instant Full Light
Dimmable	No
Nominal beam angle	120°
Rated power	12W
Rated lamp lifetime	40,000 hrs
Displacement factor	
Lumen maintenance factor at end of nominal life	≥0.70
Starting time	Instant Full Light
Colour rendering	≥80
Colour consistency	Within 6 step Macadam ellipse
Rated peak intensity	278/265/285cd
Rated beam angle	120°
Voltage / Frequency	240V~50-60Hz
This product contains a Light Source of Energy Efficiency Class D	
Not suitable for accent lighting	



See website for more information on replacability and recycling

INSTALLATION INSTRUCTIONS

A guide for qualified electricians



Model:
C012

Pack contents:
1 x LED ceiling fitting

12W IP65 LED Circular Ceiling/Wall Light

These instructions are provided as a guideline to assist you.

PLEASE READ THESE INSTRUCTIONS BEFORE INSTALLATION AND RETAIN FOR FUTURE REFERENCE



Email: sales@eterna-lighting.co.uk / technical@eterna-lighting.co.uk

Visit our website: www.eterna-lighting.co.uk

Made in China

READ THIS FIRST:

Check the pack and make sure you have all of the parts listed on the front of this booklet. If not, contact the outlet where you bought this product.

This product must be installed by a competent person in accordance with the current building and IEE wiring regulations.

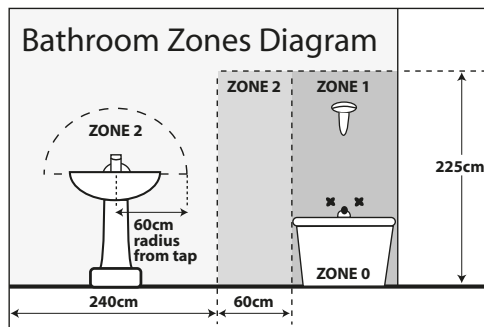
As the buyer, installer and/or user of this product it is your own responsibility to ensure that this fitting is fit for the purpose for which you have intended it. Eterna Lighting cannot accept any liability for loss, damage or premature failure resulting from inappropriate use.

This product is designed and constructed according to the principles of the appropriate British Standard and is intended for normal domestic service. Using this fitting in any other environments may result in a shortened working life, for example where there is prolonged periods of use or higher than normal ambient temperatures such as lighting public or shared spaces or in nursing /care home facilities.

Switch off the mains before commencing installation and remove the appropriate circuit fuse or lock off MCB.

This product is suitable for use in living areas, and Bathroom Zone 2 and outside of zones.

If being fitted in a bathroom a 30mA RCD must be used.



This product is designed for permanent connection to fixed wiring: this must be a suitable circuit (protected with the appropriate MCB or fuse).

This product is suitable for installation on surfaces with normal flammability e.g. wood, plasterboard and masonry. It is not suitable for use on highly flammable surfaces (e.g. polystyrene, textiles).

Before making fixing hole(s), check that there are no obstructions hidden beneath the mounting surface such as pipes or cables.

The chosen location of your new fitting should allow for the product to be securely mounted (e.g. to a ceiling joist) and safely connected to the mains supply (lighting circuit).

When making connections ensure that the terminals are tightened securely and that no strands of wire protrude. Check that the terminals are tightened onto the bared conductors and not onto any insulation.

This product is double insulated, do not connect any part to Earth.

This product is not intended to be used by children and persons with sensory, physical and/or mental impairments that would prevent them from using it safely.

You are advised at every stage of your installation to double-check any electrical connections you have made. After you have completed your installation there are electrical tests that should be carried out, these tests are specified in the current IEE wiring and building regulations.

LAMP REPLACEMENT:

The light source is designed to last the lifetime of the luminaire.

The light source contained in this luminaire shall only be replaced by the manufacturer, service agent or a similar qualified person.

CAUTION, RISK OF ELECTRIC SHOCK.



INSTALLATION:

Choose the location for your new fitting according to the conditions listed opposite.

- 01) Remove diffuser.
- 02) Drill holes in the back of your fitting through the drill guide positions for your fixing screws, take care and drill gently to ensure a clean hole through. Use a drill bit sized appropriately to your fixing screws.
- 03) Using the back of your fitting as a template, mark the position of your fixing holes on your mounting surface.
- 04) Prepare the holes in your mounting surface as appropriate for your fixings.
- 05) Pierce the rubber grommet in the back of your fitting making a hole just large enough to make a tight fit around the incoming mains cable.
- 06) Thread the cable through the grommet and offer the fitting to the ceiling / wall.
- 07) Secure the fitting in place. Note, if protection against ingress of moisture is required, the heads of screws must be covered with a silicone or similar sealant.
- 08) Check that the grommet is still correctly fitted in the cable entry hole and around the incoming cable.
- 09) Make the electrical connections to the terminal block according to the markings:
 - Brown to live (L)
 - Blue to neutral (N)
- 10) Set colour temperature to the desired option by selecting appropriate switch setting on the LED tray.

1	2		K Temp
●	○	WW	3100K
○	●	DL	6400K
●	●	CW	4200K
● = ON		○ = OFF	



- 11) Offer the diffuser (and decorative trim if using) on to the top of the fitting.
- 12) Restore the power and switch on.

NOTE: In warm white (3100K) and daylight (6400K) operation only one set of LEDs will illuminate, in cool white (4200K) both sets of LEDs will illuminate.

EVENTUALLY, YOU MAY WANT TO REPLACE THIS PRODUCT:

Regulations require the recycling of Waste from Electrical and Electronic Equipment (European "WEEE Directive" effective August 2005—UK WEEE Regulations effective February 2014). Environment Agency Registered Producer: WEE/GA0248QZ.

WHEN YOUR PRODUCT COMES TO THE END OF ITS LIFE OR YOU CHOOSE TO REPLACE IT, PLEASE RECYCLE IT WHERE FACILITIES EXIST - DO NOT DISPOSE WITH HOUSEHOLD WASTE.

CLEANING:

Clean this fitting only with a soft dry cloth.

Do not use any chemical or abrasive cleaners.

IF YOU EXPERIENCE PROBLEMS:

If you believe your product is defective, please return it to the place where you bought it. Our Technical Team will gladly advise on any Eterna Lighting product, but may not be able to give specific instructions regarding individual installations.

