



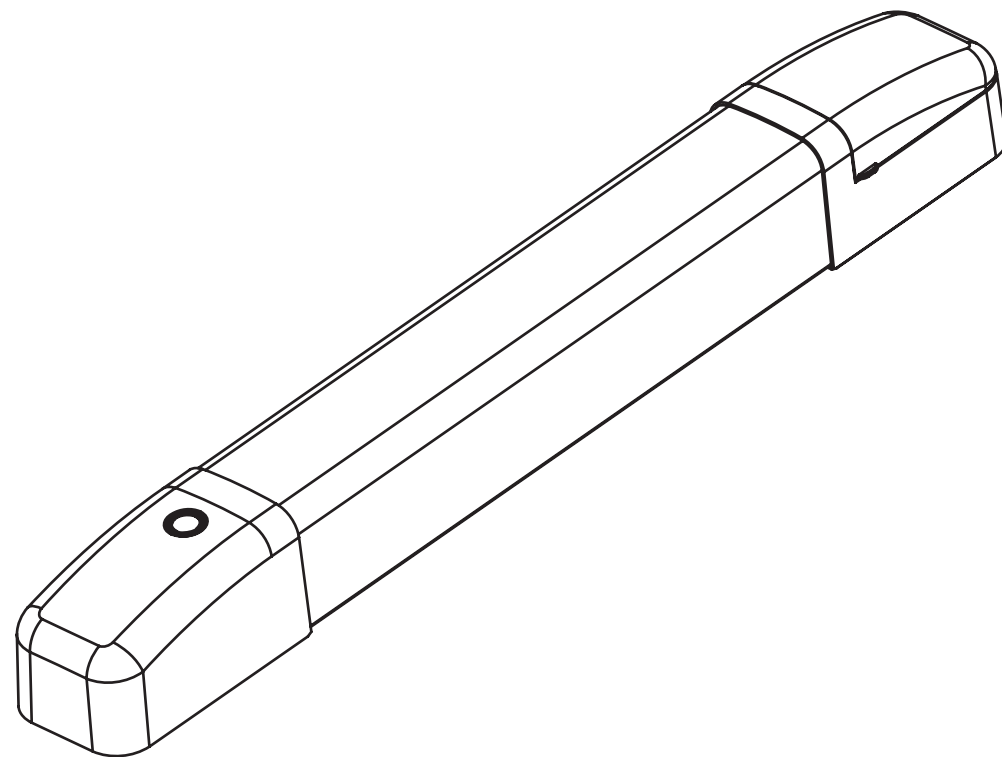
Scan QR code to go to web page

# eterna.

## INSTALLATION INSTRUCTIONS

# E09ATCW / E09ATCC

Atlantic 10W CCT LED IP44 Dual Voltage Shaver Light  
White / Chrome



LED LAMP SPECIFICATIONS:	850 lm	1000 lm	900 lm
Luminaire lumens	850 lm	1000 lm	900 lm
Rated Wattage	10W		
Nominal life time of the lamp	25,000 hrs		
Colour temperature	3000K / 4000K / 6500K		
Number of switching cycles before premature lamp failure	>12,500		
Warm-up time up to 60% of the full light output	Instant full light		
Dimmable	Integrated press dim		
Nominal beam angle	120°		
Displacement factor	0.5		
Lumen maintenance factor at end of nominal life	0.7		
Colour rendering	80		
Colour consistency	6 step Macadam ellipse		
Rated peak intensity	286 cd		
Voltage / Frequency	220-240V~50Hz		
Lumen efficacy	85 lm / W	100 lm / W	90 lm / W
This product contains a light source of energy efficiency class F			
Not suitable for accent lighting			
Reference control setting 4000K			

### EVENTUALLY, YOU MAY WANT TO REPLACE THIS PRODUCT:

Regulations require the recycling of Waste from Electrical and Electronic Equipment (European "WEEE Directive" effective August 2005—UK WEEE Regulations effective February 2014). Environment Agency Registered Producer: WEE/GA0248QZ.

When your product comes to the end of its life or you choose to replace it, please recycle it where facilities exist - do not dispose with household waste.

### CLEANING:

Clean this fitting only with a soft dry cloth.

Do not use any chemical or abrasive cleaners.

### IF YOU EXPERIENCE PROBLEMS:

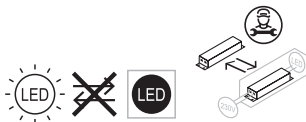
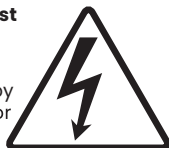
If you believe your product is defective, please return it to the place where you bought it. Our Technical Team will gladly advise on any Eterna Lighting product, but may not be able to give specific instructions regarding individual installations.

### LAMP REPLACEMENT:

#### CAUTION, RISK OF ELECTRIC SHOCK

The light source is designed to last the lifetime of the luminaire.

The light source contained in this luminaire shall only be replaced by the manufacturer, service agent or a similar qualified person.



Huxley Close, Wellingborough, Northamptonshire, UK, NN8 6AB  
Unit B4D, Airport Business Park, Cloghran, Co. Dublin, Ireland, K67X 7H9

Email: [sales@eterna-lighting.co.uk](mailto:sales@eterna-lighting.co.uk) / [technical@eterna-lighting.co.uk](mailto:technical@eterna-lighting.co.uk)  
Visit our website: [www.eterna-lighting.co.uk](http://www.eterna-lighting.co.uk)

Issue 0425

Made in China

Pack contents: 1 x LED Dual Voltage Shaver Light, fixing kit

## A guide for qualified electricians

**READ THIS FIRST:**

Check the pack and make sure you have all of the parts listed on the front of this booklet. If not, contact the outlet where you bought this product.

This product must be installed by a competent person in accordance with the current building and IEE wiring regulations.

As the buyer, installer and/or user of this product it is your own responsibility to ensure that this fitting is fit for the purpose for which you have intended it. Eterna Lighting cannot accept any liability for loss, damage or premature failure resulting from inappropriate use.

This product is designed and constructed according to the principles of the appropriate British Standard. Using this fitting in an environment where there are prolonged periods of use or higher than normal ambient temperatures may result in a shortened working life.

Switch off the mains before commencing installation and remove the appropriate circuit fuse or lock off MCB.

This product is designed for permanent connection to fixed wiring: this must be a suitable circuit (protected with the appropriate MCB or fuse).

Make sure that the fixings are strong enough to support the weight of the fitting and hold it securely.

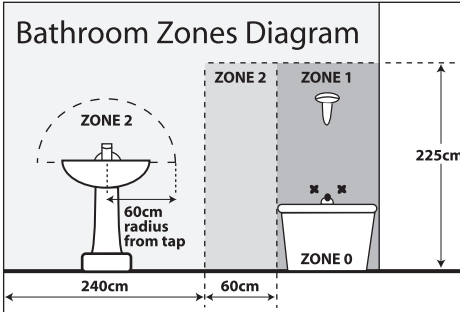
When working at heights ensure you use a suitable platform.

When making connections ensure that the terminals are tightened securely and that no strands of wire protrude. Check that the terminals are tightened onto the bared conductors and not onto any insulation.

You are advised at every stage of your installation to double-check any electrical connections you have made. After you have completed your installation there are electrical tests that should be carried out, these tests are specified in the current IEE wiring and building regulations. If in doubt, consult a qualified electrician.

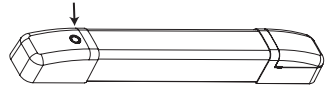
**This unit is suitable for indoor use only.**

This product is suitable for use in living areas, and Bathroom dry (Outside) Zones only (see diagram below and current IEE Wiring Regulations for details). It is not suitable for Bathroom Zones 0, 1, 2, or other areas where contact with moisture is likely. If being fitted in a bathroom a 30mA RCD must be used.



**OPERATION FEATURES:**

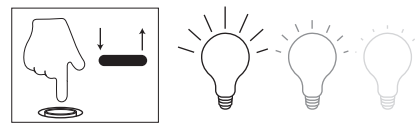
Multi function switch:



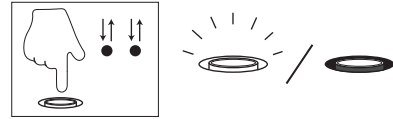
- 1 Press: Turns the light on and off  
Note: A second short press within 3 seconds, changes colour temperature



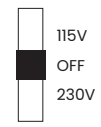
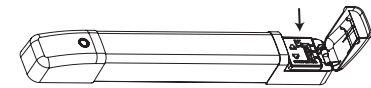
- Long press: Dims the shaver light



- 2 quick presses: Disables and enables halo indicator



Voltage Selection: Shaver socket must be set to the correct output voltage prior to use. Select the correct voltage by moving the sliding switch between 115V or 230V.



**1**

Turn off mains power and ensure supply is isolated

**2**

Use template on the back of packaging to mark fixing points

**3**

Drill marked holes and fix the included plugs and keyhole screw to the wall

**4**

**5**

Wire into terminals. Ensure the rubber grommet supplied is fitted and secure the cable with the cable clamp

**6**

**7**

Secure fitting to the wall using the keyhole slot first. Then open the shaver socket cap to insert the second fixing screw

**8**

Turn on mains supply