

Installation Instructions

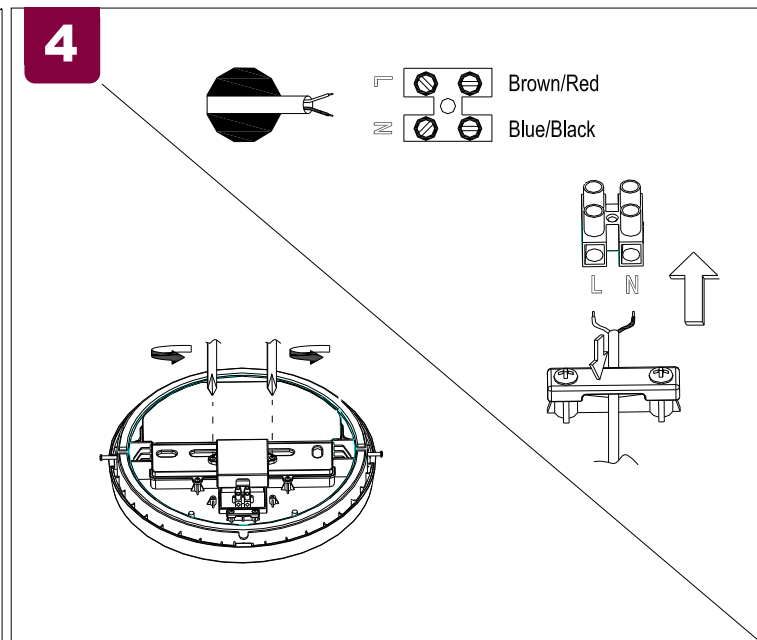
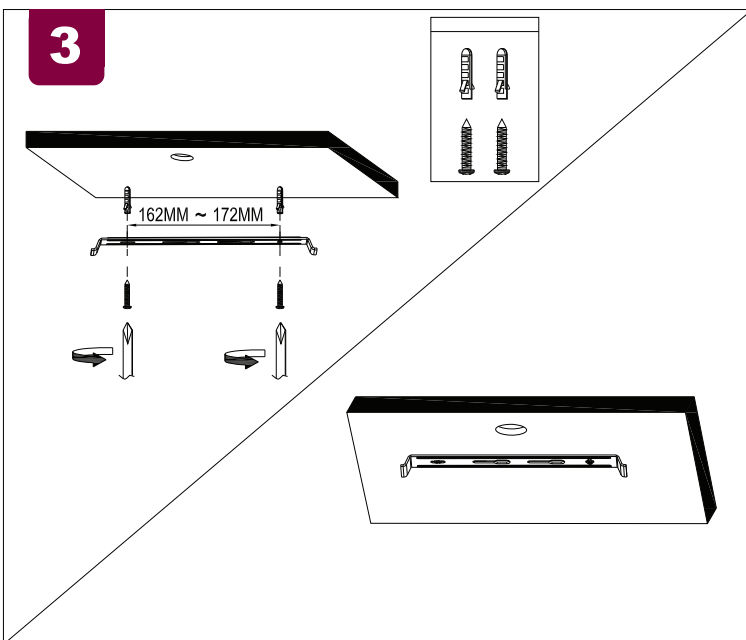
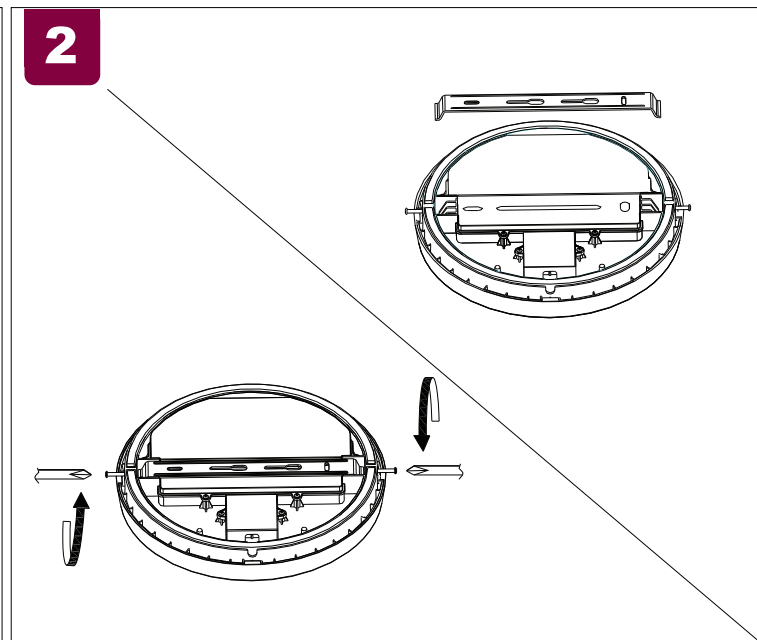
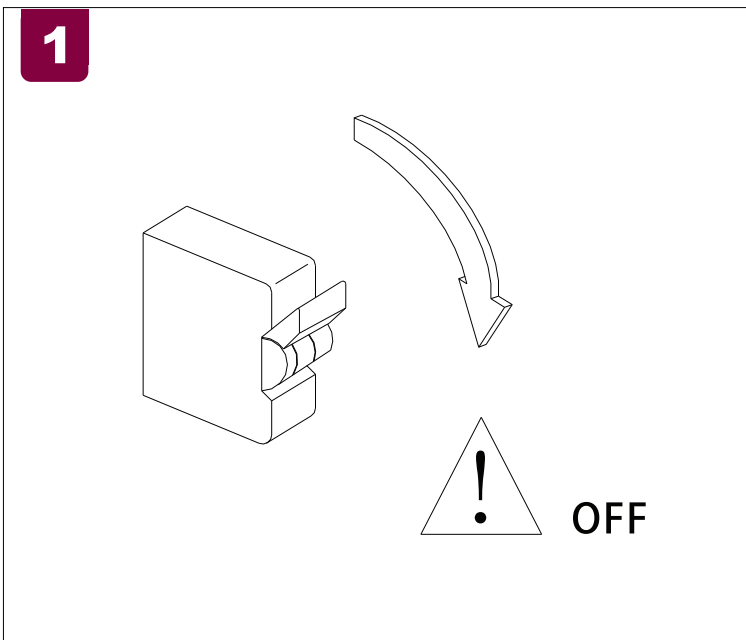
Instrucciones de instalación, Instructions d'installation, Installationsanleitung, إرشادات التركيب,
 Installatie-instructies, Instruções de instalação, Installatie-instructies,
 設置手順説明, Οδηγίες εγκατάστασης



Product Code:[AGAMLED/OCTOW]



RoHS
compliant



Ansell Electrical Products
 Unit 6B, Stonecross Industrial Park,
 Yew Tree Way,
 Warrington,
 WA3 3JD

Ansell (Sales & Distribution)
 Unit 2, M2 Business Park,
 Duncrue Street,
 Belfast,
 BT3 9AQ



Warrington Tel: +44 (0)1942 433333

Belfast Tel: +44 (0)2890 773750

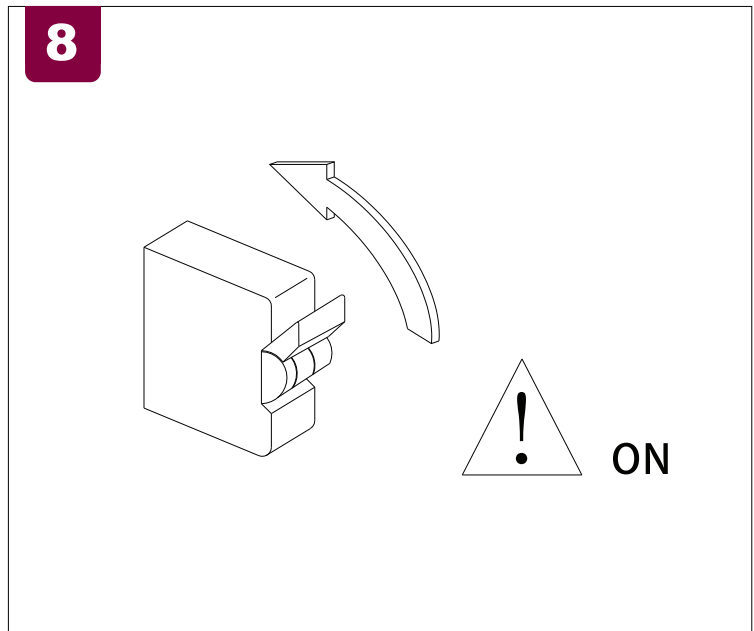
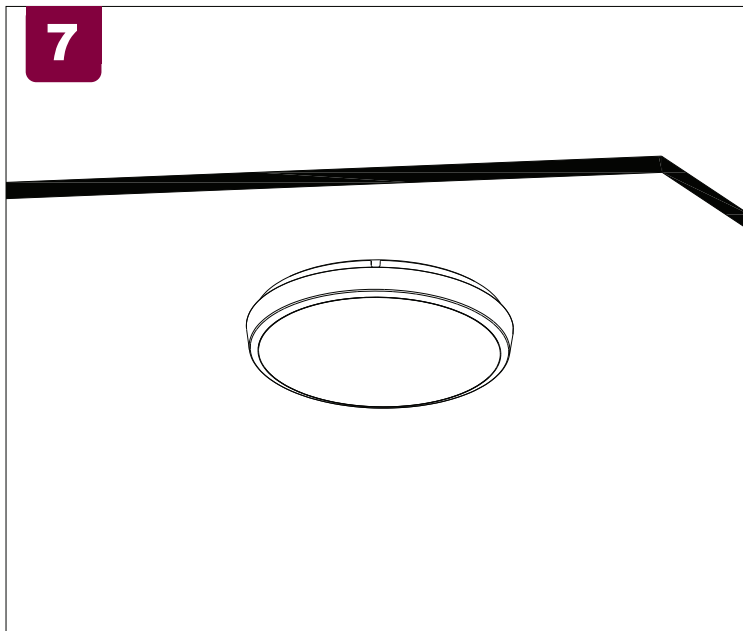
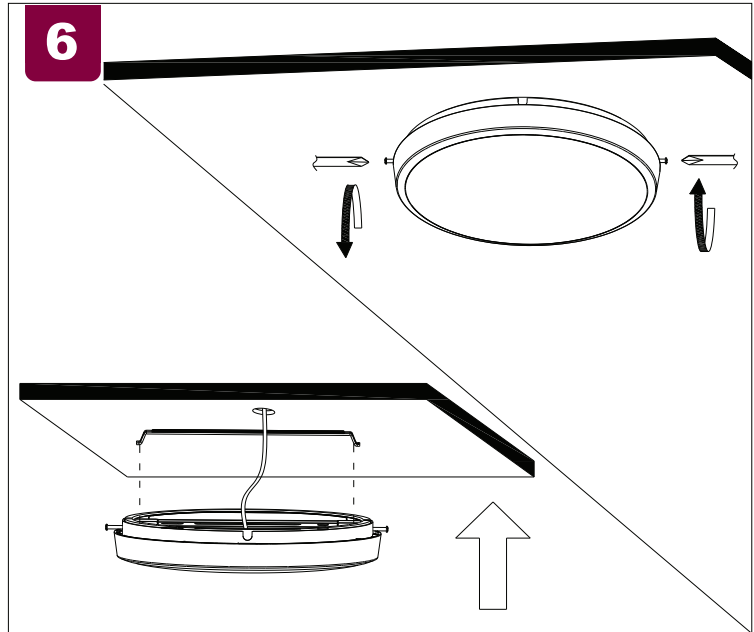
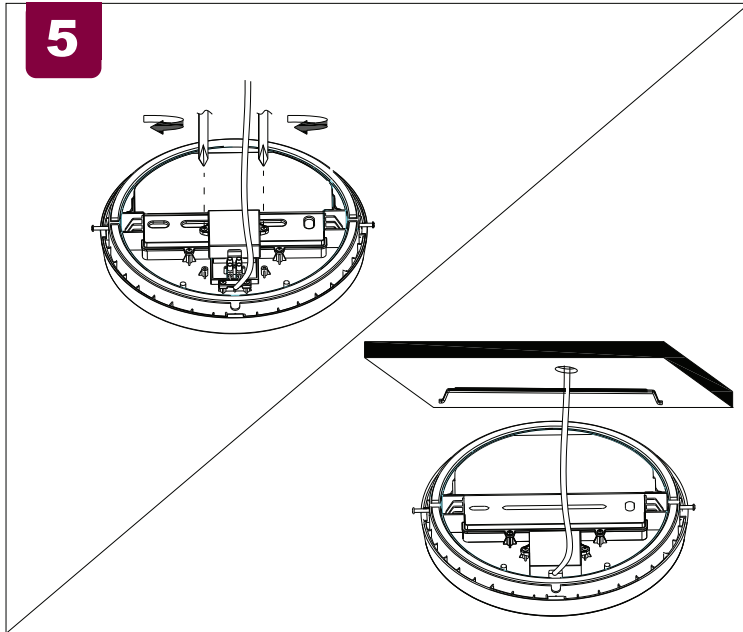
International Tel: +44 (0)1942 433343

Spain Tel: 00 34 938 005642

Installation Instructions

Instrucciones de instalación, Instructions d'installation, Installationsanleitung, إرشادات التركيب,
Installatie-instructies, Instruções de instalação, Installatie-instructies,
設置手順説明, Οδηγίες εγκατάστασης

Ansell
LIGHTING



Ansell Electrical Products
Unit 6B, Stonecross Industrial Park,
Yew Tree Way,
Warrington,
WA3 3JD

Warrington Tel: +44 (0)1942 433333

Ansell (Sales & Distribution)
Unit 2, M2 Business Park,
Duncrue Street,
Belfast,
BT3 9AQ

Belfast Tel: +44 (0)2890 773750

International Tel: +44 (0)1942 433343

 www.anselluk.com

Spain Tel: 00 34 938 005642