



INSTALLATION INSTRUCTIONS

DESCRIPTION - 200W IOT Outdoor Controller

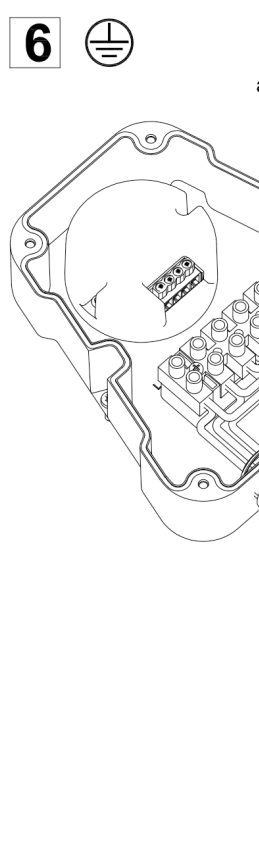
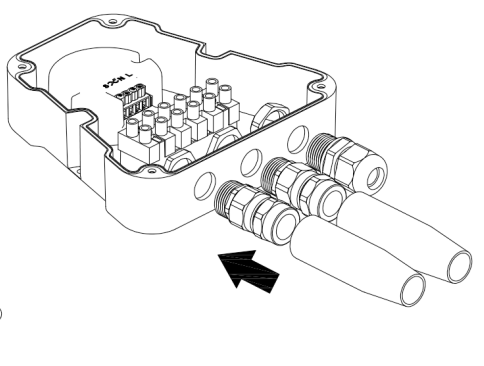
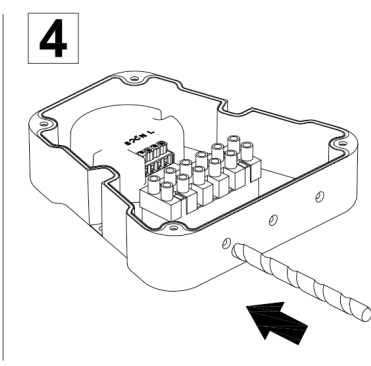
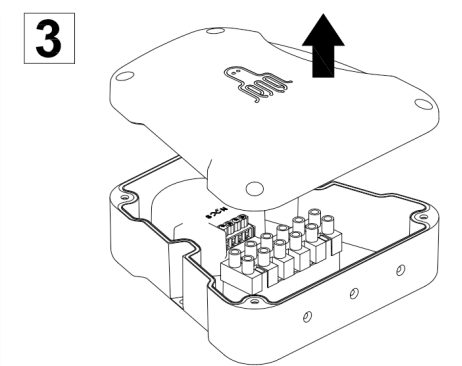
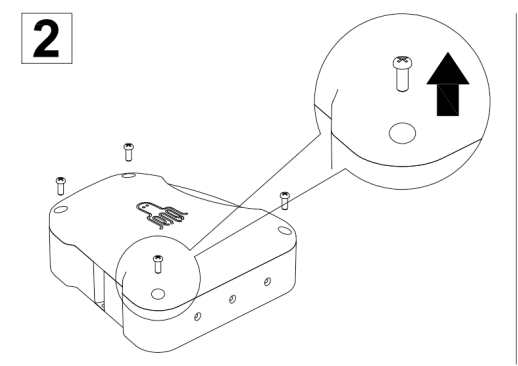
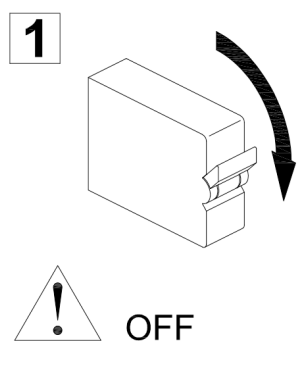
PRODUCT CODE(S) - AOCTO/OC/IP65/200

APPROVALS & CLASSIFICATIONS

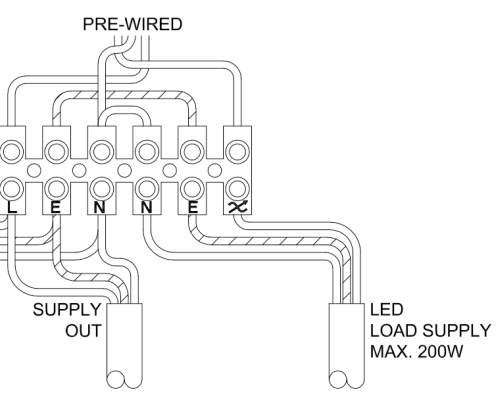
IP65

SPECIFICATION

Voltage: 220-240V
 Rated Wattage: 200W Max.
 Frequency: 50/60Hz



WARNING! This controller is designed to operate Triac Dimmable LED luminaires and LED light sources, however consideration to PFC (Power Factor Correction) must be observed to ensure the final load does not exceed the rated capabilities of the device.



IMPORTANT INFORMATION

- It is recommended that luminaires are installed and fitted by a qualified electrician ensuring the installation complies to the current IET wiring regulations.
- These instructions should be read carefully and retained after installation for future reference and maintenance.
- Ensure all electrical connections are secure and that there are no loose strands.
- It is the installers responsibility to maintain the IP rating of the enclosure and connections to it.

