

Installation Instructions

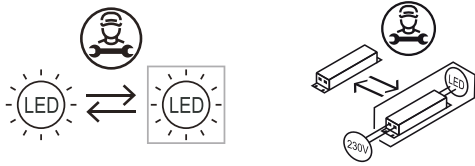
Instrucciones de instalación, Instructions d'installation, Installationsanleitung, إرشادات التركيب

Installatie-instructies, Instruções de instalação, Installatie-instructies,

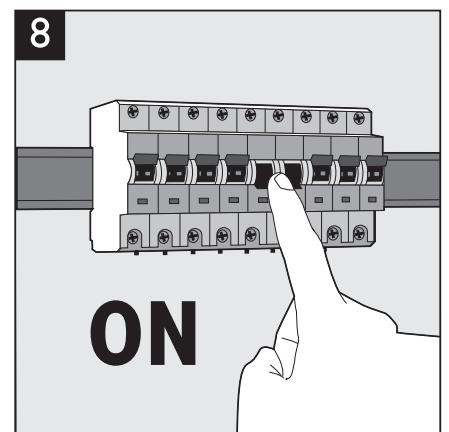
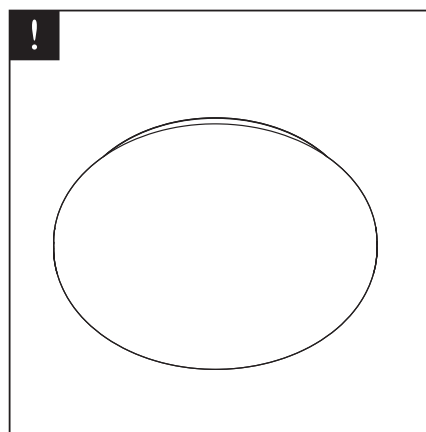
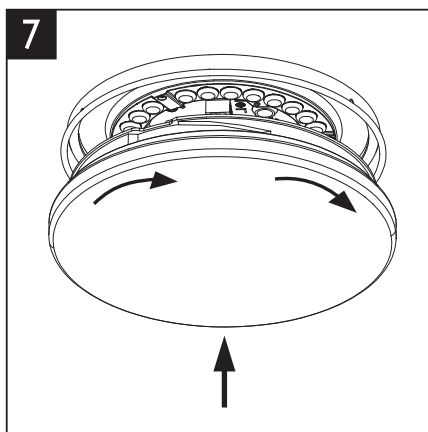
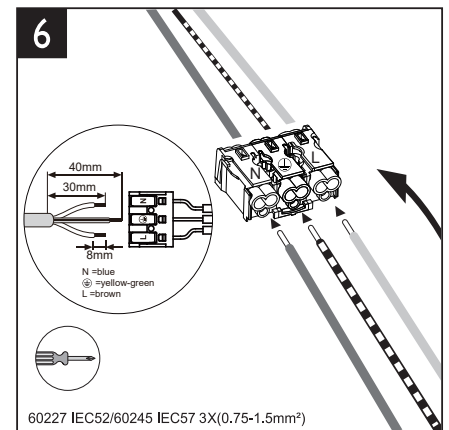
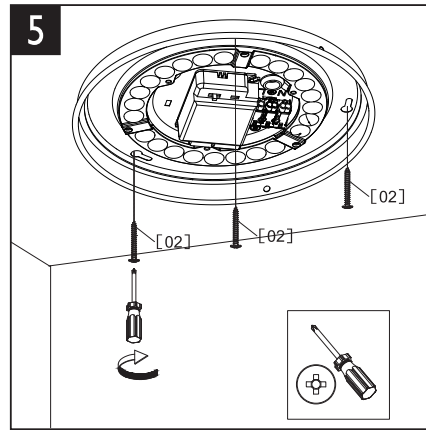
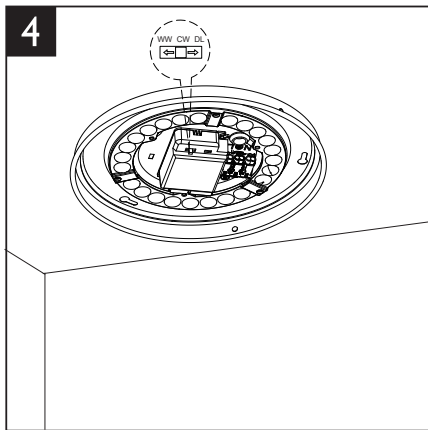
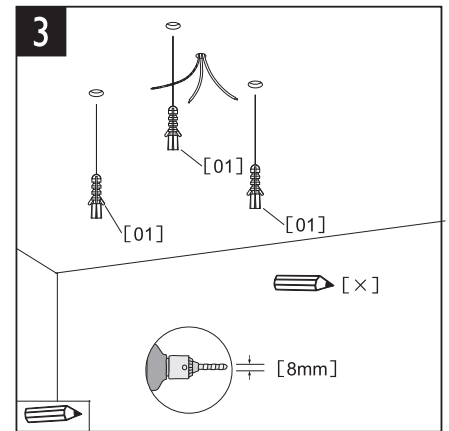
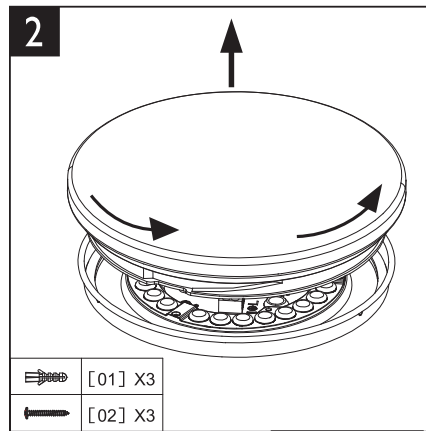
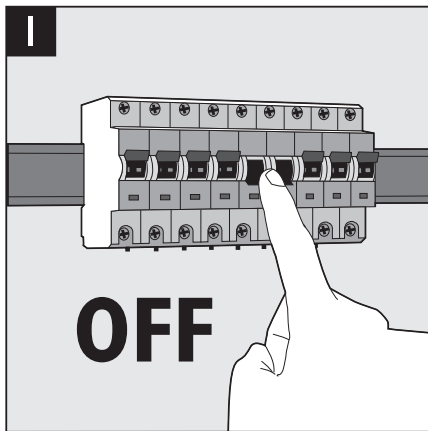
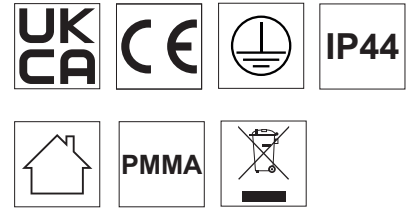
設置手順説明, Οδηγίες εγκατάστασης



Product Code: [4L2/3220]



Please Visit
<https://4liteuk.com>
 downloads for our warranty
 and translations



This product contains a light source of energy efficiency class - F

Ansell Electrical Products
 Unit 6B, Stonecross Industrial
 Park,
 Yew Tree Way,
 Warrington,
 WA3 3JD

Ansell (Sales & Distribution)
 Unit 2, M2 Business Park,
 Duncrue Street,
 Belfast,
 BT3 9AQ

Ansell (Sales & Distribution) Republic of Ireland Limited
 Unit G1, Block G,
 Calmount Park, Ballymount
 Dublin 12,
 D12 TH56

www.4liteuk.com

Warrington Tel: +44 (0)1942 433333

Belfast Tel: +44 (0)2890 773750

International Tel: +44 (0)1942 433343

Spain Tel: 00 34 938 005642

Issue Number: [1]