



Description – Fidenza 3W LED Bricklight



Installation Instructions

Luminaire Code(s) – **AFBLLED**

General Installation Instructions

These instructions should be read carefully prior to any installation and retained after completion for further reference and maintenance. Please give these instructions to the building owner/occupier after installation.

Important Safety

1. Before installation, maintenance or lamp replacement, ensure that the mains supply to the luminaire is switched off and the circuit supply fuses are removed or the circuit breaker is turned off.
2. It is recommended that only a qualified electrical contractor carries out the installation of this luminaire and that the luminaire is installed in compliance with the current edition of the IEE Wiring Regulations.
3. The person carrying out the installation is to check and verify that the total load on the circuit, including that of this luminaire does not exceed the rating of the circuit cable, fuse or circuit breaker.
4. Where a luminaire incorporates discharge control gear (inductive load), the circuit capacity and ratings require careful sizing to avoid nuisance tripping of the protective device used in the installation.
5. Where applicable, careful consideration should be taken during installation to ensure that all fixings and/or suspensions are of a suitable size for the luminaire being installed.

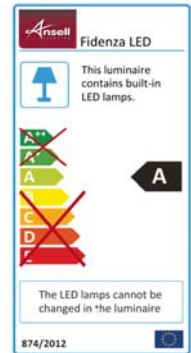
Ratings

1. All luminaires are manufactured & tested in compliance with the requirement contained within BS EN 60598 and are CE marked.
2. All luminaires that are of Class 1 construction and that are marked accordingly, MUST be earthed.
3. All luminaires are designed to operate at 230Volts AC -6%/+10% = 216Volts to 252Volts. Do not operate outside these voltages.
4. All luminaires are only suitable for applications within their rated Ingress Protection limits as stated.

Exclusions to Warranty

Please Note - The limited warranty shall be null and void in the following circumstances:-

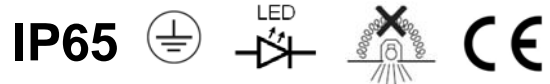
Failure by the installer, end user or any third party to exercise caution to protect any covered product or part from outside damage, adverse temperature (normal operating ambient temperature 0 - 25°C), humidity conditions, fluctuations in the electrical system or physical abuse as well as failure related to workmanship in the installation of the products or parts.



Installation

- Select a suitable mounting location to install luminaire.
- Bring a cable, suitable for application, from the mains to the position where the luminaire is to be installed. (H07RN-F for external application).
- Cut a 208mm x 71mm cavity hole for installation. Concrete metal back box into position ensuring sufficient H07RN-F rubber insulated cable is exposed for termination inside luminaire. (A rubber grommet can be used at cable entry on back box to offer extra protection to supply cable).
- With a sharp blade, cut a cross in the IP66 rated rubber gland(s) sufficiently to allow insertion of mains cable.
- The fitting has the capability to loop in-loop out with double push-fit terminal block and two IP66 glands. Insert cable(s) through the rubber glands(s) and mount the housing into the installed back box; tighten allen bolts to secure.
- **Connect as follows:**

LIVE	(L)	BROWN OR RED
NEUTRAL	(N)	BLUE OR BLACK
EARTH		GREEN / YELLOW
- The luminaire has an integral LED Driver therefore only a mains supply is required at the luminaire. Connect Live, Earth and Neutral to the respective push-fit terminations.
- Place and secure the front plate onto the installed housing using the two allen bolts.
- Do not install the luminaire onto new plaster or wet paint.
- Restore the power supply and test for correct operation.



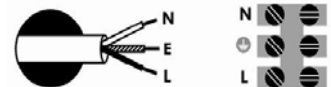
Maintenance:

1. This luminaire contains no serviceable parts.



Disposal of Electronic Equipment WEEE Directive 2002/96/EC

This product falls within the scope of the Waste Electrical & Electronic Equipment Directive (WEEE), which means the product should not be disposed of as normal household waste. Ensure that this luminaire and lamp is disposed of in accordance with the WEEE Directive. Contact a local Council Waste Dept. Local Amenity Site, or the Environment Agency for further information. **RoHS** - All components and materials used in this product are **RoHS** 2002/95/EC compliant.




Black / Blue

Brown / Red

KR-104A/B/C/D

If the external flexible cable or cord of this luminaire is damaged, it shall be exclusively replaced by the manufacturer or his service agent or a similar qualified person in order to avoid a hazard.

 Do not stare at the light source

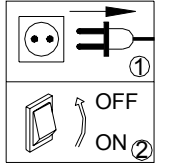


FIG-1-A1
Concrete Installation

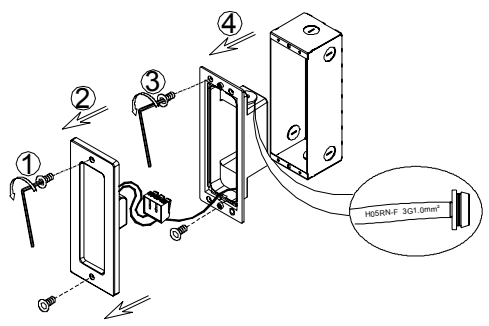


FIG-1-A2

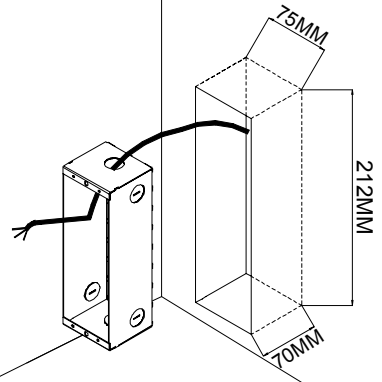


FIG-1-A3

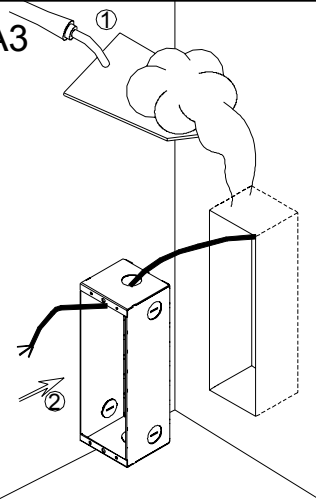
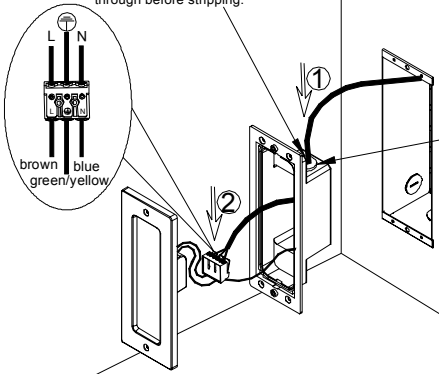


FIG-1-A4

Note: In order to reach the required IP, the input cable for the luminaires must be H05RN-F 3G1.0mm², and threading through before stripping.



Note: Please keep the cable outlet in the same vertical direction with the inlet to luminaires

FIG-1-A5

Torque:
8-8.5kgf.cm

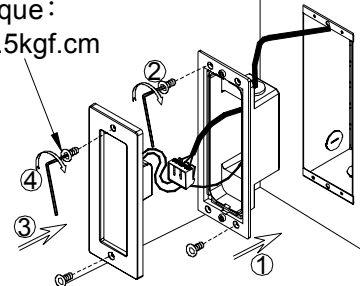
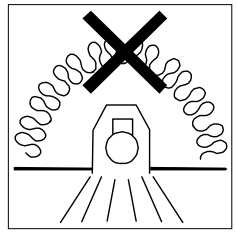


FIG-2



Luminaires not suitable for covering with thermally insulating material.....

FIG-1-B1

Wood board Installation

Please make sure the thickness of the wood board no less than 5mm

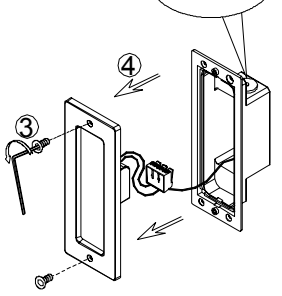
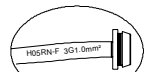
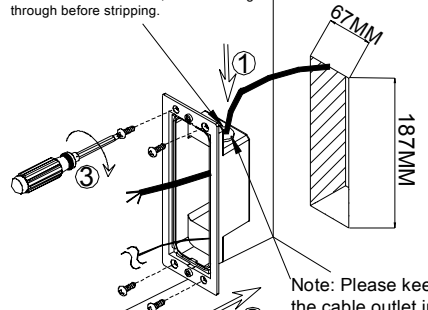


FIG-1-B2

Note: In order to reach the required IP, the input cable for the luminaires must be H05RN-F 3G1.0mm², and threading through before stripping.



Note: Please keep the cable outlet in the same vertical direction with the inlet to luminaires

FIG-1-B3

Torque:
8-8.5kgf.cm

