



# Installation Instructions

Luminaire Code(s) – **ACLED/AMP/TOUCH**

**General Installation Instructions**

These instructions should be read carefully prior to any installation and retained after completion for further reference and maintenance. Please give these instructions to the building owner/occupier after installation.

**Important Safety**

1. Before installation, maintenance or lamp replacement, ensure that the mains supply to the luminaire is switched off and the circuit supply fuses are removed or the circuit breaker is turned off.
2. It is recommended that only a qualified electrical contractor carries out the installation of this luminaire and that the luminaire is installed in compliance with the current edition of the IEE Wiring Regulations.
3. The person carrying out the installation is to check and verify that the total load on the circuit, including that of this luminaire does not exceed the rating of the circuit cable, fuse or circuit breaker.
4. Where a luminaire incorporates discharge control gear (inductive load), the circuit capacity and ratings require careful sizing to avoid nuisance tripping of the protective device used in the installation.
5. Where applicable, careful consideration should be taken during installation to ensure that all fixings and/or suspensions are of a suitable size for the luminaire being installed.

**Ratings**

1. All luminaires are manufactured & tested in compliance with the requirement contained within BS EN 60598 and are CE marked.
2. All luminaires that are of Class 1 construction and that are marked accordingly, MUST be earthed.
3. All luminaires are designed to operate at 230Volts AC -6%/+10% = 216Volts to 252Volts. Do not operate outside these voltages.
4. All luminaires are only suitable for applications within their rated Ingress Protection limits as stated.

**Exclusions to Warranty**

**Please Note** - The limited warranty shall be null and void in the following circumstances:-

Failure by the installer, end user or any third party to exercise caution to protect any covered product or part from outside damage, adverse temperature (normal operating ambient temperature 0 - 25°C), humidity conditions, fluctuations in the electrical system or physical abuse as well as failure related to workmanship in the installation of the products or parts.

**Information – Required RGB Components (Sold Separately)**

- ACLED/ /RGB – Flexible LED strip.
- ACLED/RC/TOUCH – RGB RF Controller
- AD30W/12V / AD75W/12V - 12V DC LED Driver.
- ACLED/ML/RGB – Mains Lead.

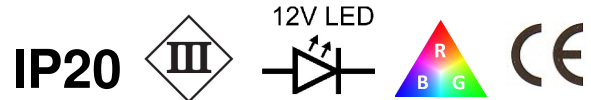
**Installation**

- Select a suitable mounting location to install the LED strip. Care should be given to ensure adequate ventilation for luminaire. This luminaire is not suitable for high temperature areas.
- If required the LED strip can be cut down at any of the cutting junctions (please see Fig 1.).
- Ensure the surface that the strip will be applied to is clean and free from grease.
- Peel adhesive cover and mount onto the intended surface.
- Connect to a suitable 12V RGB controller (Ansell Part Code - ACLED/RC/TOUCH) using an RGB Mains lead (Ansell Part Code - ACLED/ML/RGB).
- If using connectors or link leads, please ensure the V+ RGB are aligned (please see Fig 2).
- The RGB Controller should be used along with a suitable 12V LED Driver (Ansell part code AD30W/12V = 2M Max, AD75W/12V = 5M Max).
- The ACLED/AMP/TOUCH provides infinite optional expansion from one ACLED/RC/TOUCH so a large installation can be controlled from one ACLED/RC/TOUCH.
- Please see Fig 4. for wiring diagram.
- Using an ACLED/AMP/TOUCH can be repeated to offer are large installation synchronisation of the RGB operation.
- The LED strip is controlled using the hand remote supplied with the ACLED/RC/TOUCH. Please see instructions for the ACLED/RC/TOUCH for operation details.
- Restore the power supply and test all functions for correct operation.

**Warning**

- The Cobra LED strip MUST be mounted only to heat conductive surfaces that will offer adequate heat dissipation.
- The Cobra LED strip is not recommended for continual 24hr use if installed onto a non thermal conductive surface.
- Please contact Ansell Lighting for more details if required.

NO.	Mode	Remark	NO.	Mode	Remark
1	Static red	Brightness adjustable	10	3-color gradient	Brightness/ speed adjustable
2	Static green		11	3-color smooth	
3	Static blue		12	7-color gradient	
4	Static yellow		13	7-color smooth	
5	Static purple		14	3-color flicker	
6	Static cyan		15	7-color flicker	
7	Static white		16	3-color flash	
8	3-color jump	Brightness/ speed adjustable	17	7-color flash	
9	7-color jump		18	Automatically Play	



**Maintenance:**

1. This luminaire contains no serviceable parts.

**Disposal of Electronic Equipment WEEE Directive 2002/96/EC**  
 This product falls within the scope of the Waste Electrical & Electronic Equipment Directive (WEEE), which means the product should not be disposed of as normal household waste. Ensure that this luminaire and lamp is disposed of in accordance with the WEEE Directive. Contact a local Council Waste Dept. Local Amenity Site, or the Environment Agency for further information. **RoHS** - All components and materials used in this product are **RoHS** 2002/95/EC compliant.

**R – Red, G – Green, B – Blue, + - Black**

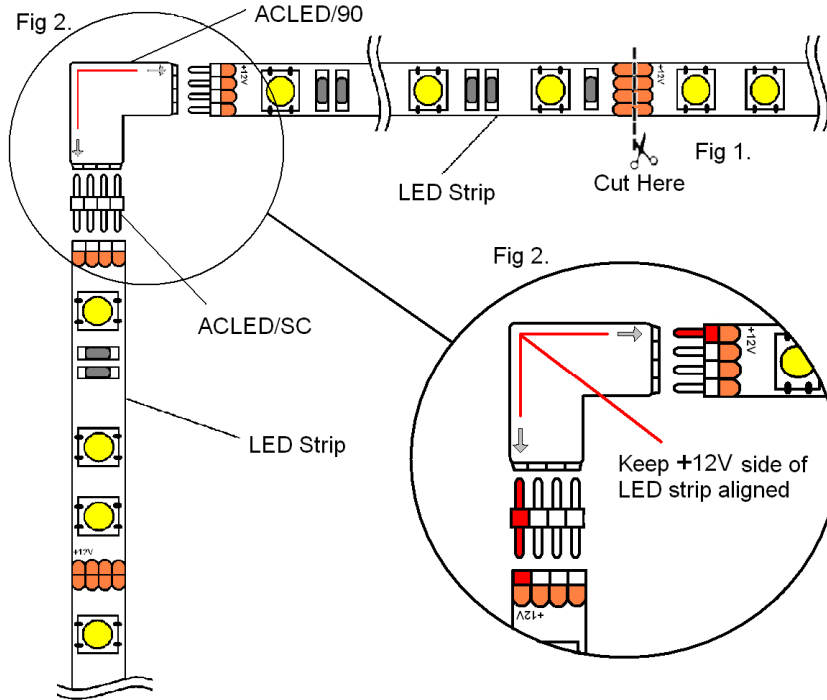
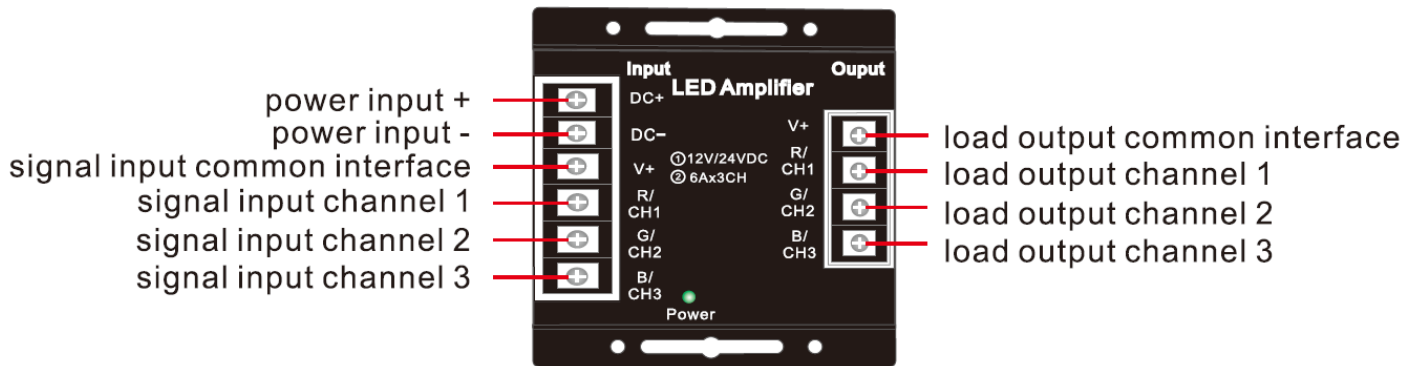


Fig 3.

ACLED/AMP/TOUCH



**Maintenance:**

1. This luminaire contains no serviceable parts.



**Disposal of Electronic Equipment WEEE Directive 2002/96/EC**

This product falls within the scope of the Waste Electrical & Electronic Equipment Directive (WEEE), which means the product should not be disposed of as normal household waste. Ensure that this luminaire and lamp is disposed of in accordance with the WEEE Directive. Contact a local Council Waste Dept. Local Amenity Site, or the Environment Agency for further information. **RoHS** - All components and materials used in this product are RoHS 2002/95/EC compliant.

R – Red, G – Green, B – Blue, + - Black

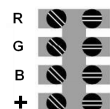
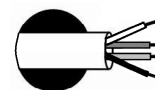
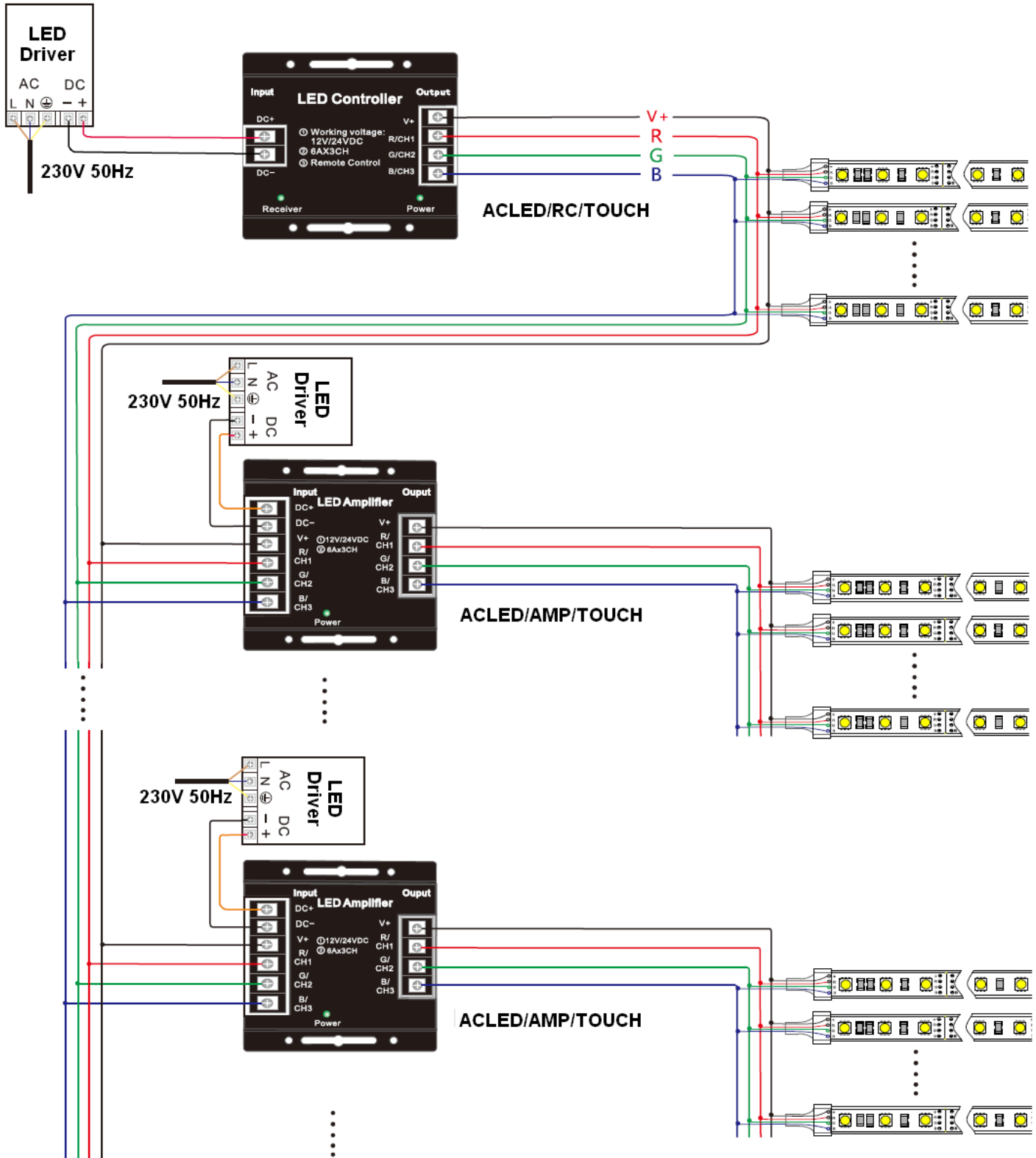


Fig 4.



**Maintenance:**

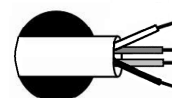
1. This luminaire contains no serviceable parts.



**Disposal of Electronic Equipment WEEE Directive 2002/96/EC**

This product falls within the scope of the Waste Electrical & Electronic Equipment Directive (WEEE), which means the product should not be disposed of as normal household waste. Ensure that this luminaire and lamp is disposed of in accordance with the WEEE Directive. Contact a local Council Waste Dept. Local Amenity Site, or the Environment Agency for further information. **RoHS** - All components and materials used in this product are **RoHS** 2002/95/EC compliant.

R – Red, G – Green, B – Blue, + - Black



- R
- G
- B
- +