

Installation Instructions

Instrucciones de instalación, Instructions d'installation, Installationsanleitung, إرشادات التركيب,

Installatie-instructies, Instruções de instalação, Installatie-instructies,

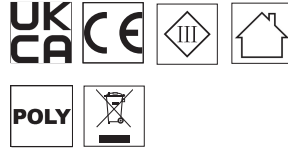
設置手順説明, Οδηγίες εγκατάστασης

Ansell
LIGHTING

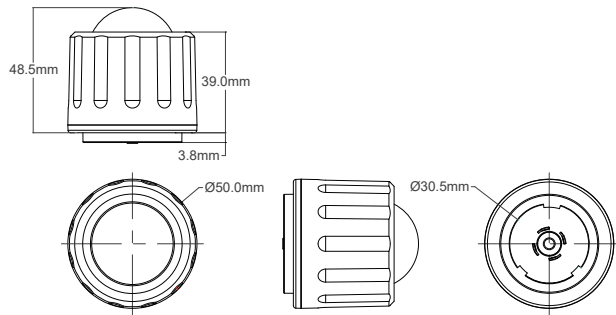
Product Code:[AZH/PIR/OCTO/IP65/1]



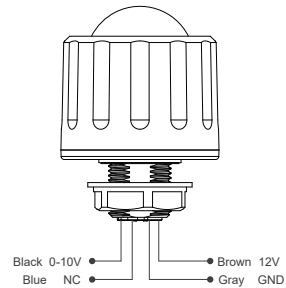
Master
Translations
QR Link



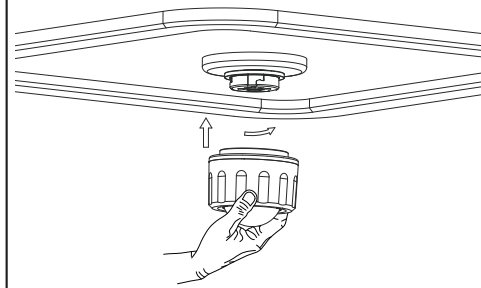
1 DIMENSION



FUNCTION



3 INSTALLATION



Casambi APP

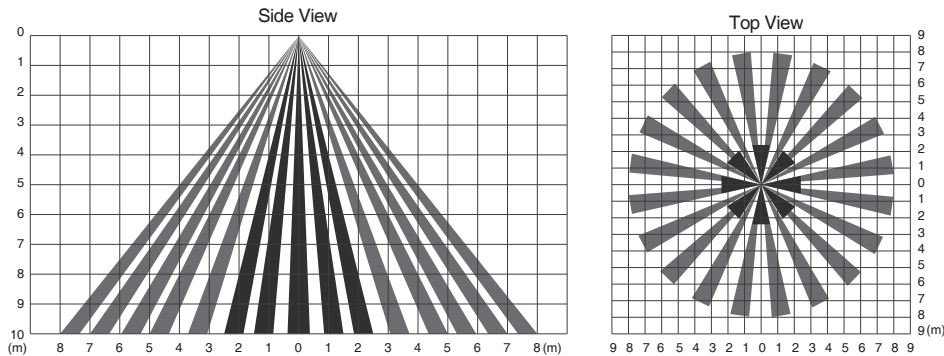


Casambi APP
download(IOS)

Casambi APP manual download

<https://support.casambi.com/support/solutions/12000001568>

2 DETECTION RANGE



4 SPECIFICATIONS

Code	AZH/PIR/OCTO/IP65/1
Rated Voltage	12±1V DC
Working Current	35±5mA
Ripple Voltage	<100mVp-p
Detection Way	PIR
BLE Module	Casambi Bluetooth
Working Frequency	2.402-2.480GHz
Output Signal	0-10V dimming signal
Transmitting Power	+7dBm(max)
Transmitting Distance	Point to point transmit 25m Max
Fixture ID	46788
Mounting Height	10m (12m Max),see note 1 & 2
Operating Temperature	-25°C~55°C, Humidity: 85% (Non-condensing)
Storage Temperature	-40°C~80°C, Humidity: 85% (Non-condensing)
Dimension	Φ50*48.45mm
Certification	CE, UKCA
Wiring	Standard Zhaga Book 18 connector
Installation	External
IP Rating	IP65
Warranty	5 years @Ta full load

Note:

1. When ambient temperature approaches the human body temperature range (36°C~37°C), PIR motion detection will significantly weaken or be non-responsive.
2. When ambient temperature or LED tray temperature is higher than 55°C, false triggering may happen, please try to reduce detecting sensitivity to improve. If false triggering continues, the PIR sensor may not be suitable to be used in the space.

Ansell Electrical Products
Unit 6B, Stonecross Industrial
Park,
Yew Tree Way,
Warrington,
WA3 3JD

Ansell (Sales & Distribution)
Unit 2, M2 Business Park,
Duncrue Street,
Belfast,
BT3 9AQ

Ansell (Sales & Distribution) Republic of Ireland Limited
Unit G1, Block G,
Calmount Park, Ballymount
Dublin 12,
D12 TH56

www.ansell-lighting.com

Warrington Tel: +44 (0)1942 433333 Belfast Tel: +44 (0)2890 773750 International Tel: +44 (0)1942 433343 Spain Tel: 00 34 938 005642

Issue Number: [1]

Ansell Electrical Products
Unit 6B, Stonecross Industrial
Park,
Yew Tree Way,
Warrington,
WA3 3JD

Ansell (Sales & Distribution)
Unit 2, M2 Business Park,
Duncrue Street,
Belfast,
BT3 9AQ

Ansell (Sales & Distribution) Republic of Ireland Limited
Unit G1, Block G,
Calmount Park, Ballymount
Dublin 12,
D12 TH56

www.ansell-lighting.com

Warrington Tel: +44 (0)1942 433333 Belfast Tel: +44 (0)2890 773750 International Tel: +44 (0)1942 433343 Spain Tel: 00 34 938 005642

Issue Number: [1]