

Installation Instructions

Instrucciones de instalación, Instructions d'installation, Installationsanleitung, إرشادات التركيب,

Installatie-instructies, Instruções de instalação, Installatie-instructies,

設置手順説明, Οδηγίες εγκατάστασης



Product Code: (AZH/PIR/IP65/1)

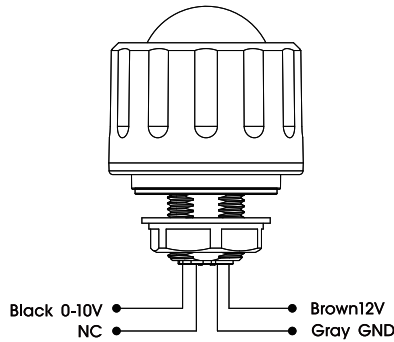
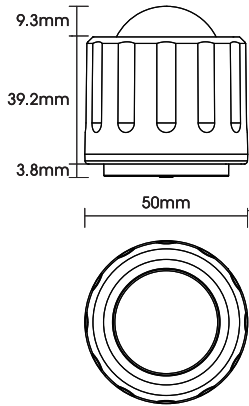


Master Translations
QR Link

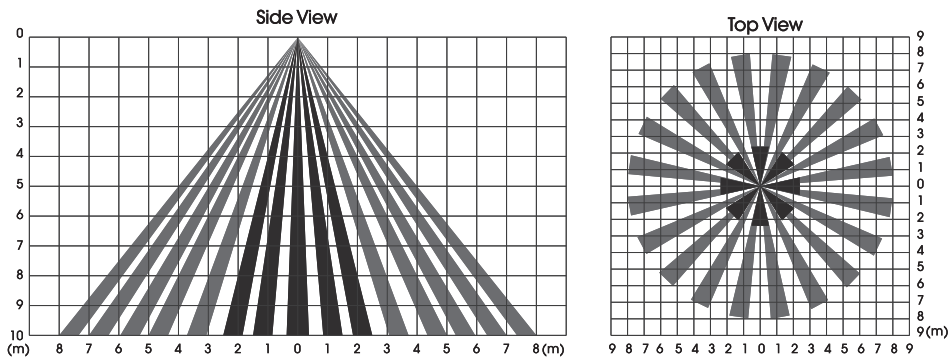


1 DIMENSION

WIRING

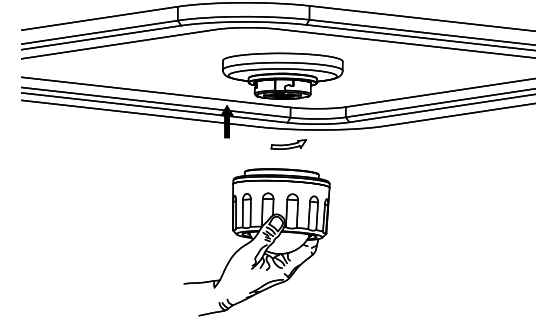


2 DETECTION RANGE



3 FUNCTION

Insert sensor into Zhaga Book 18 socket and twist clockwise to lock in place.



4 SPECIFICATIONS

Code	AZH/PIR/IP65/1	Dimension	φ50°52.2mm
Interface	Zhaga Book18	Certification	CE, UKCA
Rated Voltage	12±1Vdc	IP Rating	IP65
Rated Current	<30mA	Default Setting	Sensitivity: 100%, Hold time: 5s, Daylight sensor: Disable, Stand by period: 0s, Stand by DIM Level: 10%
Working Mode	0-10VDC dimming signal	Warranty	5 years @Ta full load
Transmitting Power	3mW Max.	Note:	
Detection Mode	PIR detection	1. When ambient temperature approaches the human body temperature range (36°C-37°C), PIR motion detection will significantly weaken or be non-responsive.	
Daylight Sensor	5lux/15Lux/30Lux/50Lux/100lux/150lux/Disable	2. When ambient temperature or LED tray temperature is higher than 55°C, false triggering may occur, please try to reduce detecting sensitivity to improve. If false triggering continues, the PIR sensor may not be suitable to be used in the space.	
Daylight Harvesting	200Lux/ 300Lux/ 400Lux/ 500Lux/ 600Lux/ 700Lux		
Dimming Level	10%(1.4-1.6V) 20%(1.9-2.1V) 30%(2.9-3.1V) 50% (4.9-5.1V)		
Radius Detection Range	2-4m (indoor, sensitivity 100%, no direct sunlight to sensor)		
Mounting Height	Typical 10m (12m Max)		
Installation	Plug in installation		
Operating Temperature	-20°C ~55°C, Humidity: 85% (Non-condensing)		
Storage Temperature	-40°C ~80°C, Humidity: 85% (Non-condensing)		

Ansell Electrical Products
Unit 6B, Stonecross Industrial
Park,
Yew Tree Way,
Warrington,
WA3 3JD

Ansell (Sales & Distribution)
Unit 2, M2 Business Park,
Duncrue Street,
Belfast,
BT3 9AQ

Ansell (Sales & Distribution) Republic of Ireland Limited
Unit G1, Block G,
Calmount Park, Ballymount
Dublin 12,
D12 TH56

www.ansell-lighting.com

Warrington Tel: +44 (0)1942 433333 Belfast Tel: +44 (0)2890 773750 International Tel: +44 (0)2890 773750 Spain Tel: 00 34 938 005642

Ansell Electrical Products
Unit 6B, Stonecross Industrial
Park,
Yew Tree Way,
Warrington,
WA3 3JD

Ansell (Sales & Distribution)
Unit 2, M2 Business Park,
Duncrue Street,
Belfast,
BT3 9AQ

Ansell (Sales & Distribution) Republic of Ireland Limited
Unit G1, Block G,
Calmount Park, Ballymount
Dublin 12,
D12 TH56

www.ansell-lighting.com

Warrington Tel: +44 (0)1942 433333 Belfast Tel: +44 (0)2890 773750 International Tel: +44 (0)2890 773750 Spain Tel: 00 34 938 005642

Installation Instructions

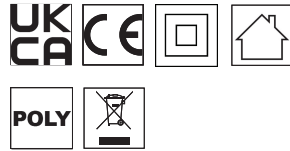
Instrucciones de instalación, Instructions d'installation, Installationsanleitung, إرشادات التركيب,

Installatie-instructies, Instruções de instalação, Installatie-instructies,

設置手順説明, Οδηγίες εγκατάστασης



Master Translations QR Link



Product Code: (AZH/RP/1)

REMOTE CONTROL SETTING	BUTTON	REMARKS																												
		Press the "ON/OFF" button, the light enters always-on or always-off mode, sensor function is disable. In "ON/OFF" mode, DIM+/DIM- functions are available; after power off and on again, the brightness set by "DIM+/DIM-" is maintained, under ON mode and when the power is off and on again, the light keeps on, under off mode when the power is off and on again the light turns on for 2 seconds then enters OFF mode.																												
		Press "Reset" button, all parameters are same as setting of DIP switch or factory settings.																												
		Press "Sensor motion" button, the light quits from the constant ON/OFF mode, and the sensor starts to work. (The latest setting stays in validity)																												
		Press "DIM Test" button, the dimming works to test whether 0-10V dimming ports are connected properly. After 2s, it returns to the latest setting automatically.																												
		Long press "Override DH" >3s quit the daylight harvesting function enter the daylight threshold function.																												
		Short press to transmit a dimming signal, and the brightness of the lamp will be adjusted with +/-2% each time; dimming range: 50%-100%. Long press continuous dimming(Only available for daylight harvesting function sensor) Note: the maximum brightness can be set with this button under ON/OFF mode.																												
		Long press "DH Mode" >3s to enter the daylight harvesting function; Press "Override DH" quit harvesting function or "Reset" return to factory default.																												
		<table border="1"> <thead> <tr> <th>Scene Options</th> <th>Declan Area</th> <th>Hold Time</th> <th>Stand-by Period</th> <th>Stand-by Dim Level</th> <th>Daylight Sensor</th> <th>Induction Model</th> </tr> </thead> <tbody> <tr> <td>Q1</td> <td>100%</td> <td>5min</td> <td>10min</td> <td>10%</td> <td>30Lux</td> <td>Hs</td> </tr> <tr> <td>Q2</td> <td>100%</td> <td>10min</td> <td>30min</td> <td>10%</td> <td>Disable</td> <td>Hs</td> </tr> <tr> <td>Q3</td> <td>100%</td> <td>20min</td> <td>30min</td> <td>10%</td> <td>Disable</td> <td>Hs</td> </tr> </tbody> </table> <p>Note: Users can press any button to adjust parameters, subject to the last setting. When the sensor does not have the above parameter function, the parameter setting is invalid. Stand-by Period and Stand-by Dim Level induction are not applicable to ON/OFF sensor, induction mode is not available for low installation sensor.</p>	Scene Options	Declan Area	Hold Time	Stand-by Period	Stand-by Dim Level	Daylight Sensor	Induction Model	Q1	100%	5min	10min	10%	30Lux	Hs	Q2	100%	10min	30min	10%	Disable	Hs	Q3	100%	20min	30min	10%	Disable	Hs
	Scene Options	Declan Area	Hold Time	Stand-by Period	Stand-by Dim Level	Daylight Sensor	Induction Model																							
	Q1	100%	5min	10min	10%	30Lux	Hs																							
	Q2	100%	10min	30min	10%	Disable	Hs																							
	Q3	100%	20min	30min	10%	Disable	Hs																							
		Press the "TEST 2S" button to enter the test mode any time. At the mode the sensor parameters as below: Detection Area: 100%, Hold Time: 2s, Stand-by Dim Level: 10%, Stand-by Period: 0s, daylight sensor: disable. Quit the mode by pressing "RESET" or any other function buttons.																												
		Press "HS" button to set the detection area to high sensitivity. Press "LS" button to set the detection area to low sensitivity. The Induction mode is adjusted at the setting detection area. Note: This button is invalid for low-mount sensor.																												
		Daylight Sensor: Set up daylight threshold for daylight harvesting: 5LUX=200LUX/15LUX=300LUX/30LUX=400LUX/50LUX=500LUX/100LUX=600LUX/150LUX=700LUX																												
	Stand-by Period: Set up stand-by time: 0s/10s/1min/3min/5min/10min/20min/30min/+∞																													
	Hold Time: Set up hold time: 5s/30s/1min/3min/5min/10min/20min/30min																													
	Stand-by Dim Level: Set up stand-by dim level: 10%/20%/30%/50%																													
	Detection Area: Set up detection area: 25%/50%/75%/100%																													
	Remote Distance Toggle button Set the remote distance of remote control and sensor.																													

Ansell Electrical Products
Unit 6B, Stonecross Industrial Park,
Yew Tree Way,
Warrington,
WA3 3JD

Ansell (Sales & Distribution)
Unit 2, M2 Business Park,
Duncrue Street,
Belfast,
BT3 9AQ

Ansell (Sales & Distribution) Republic of Ireland Limited
Unit G1, Block G,
Calmount Park, Ballymount
Dublin 12,
D12 TH56

www.ansell-lighting.com

Warrington Tel: +44 (0)1942 433333

Belfast Tel: +44 (0)2890 773750

International Tel: +44 (0)2890 773750

Spain Tel: 00 34 938 005642