

Installation Instructions

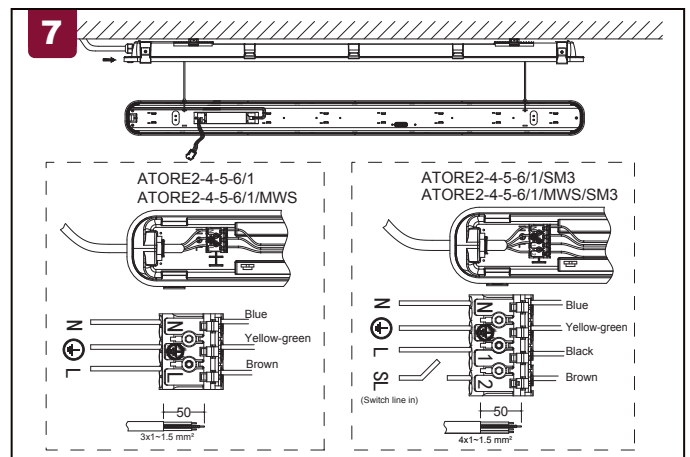
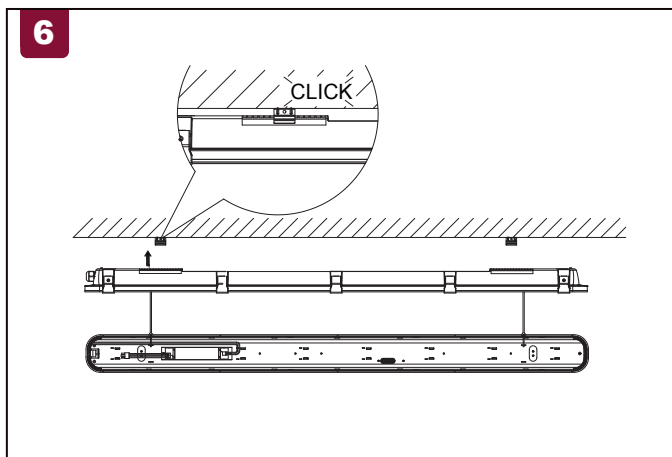
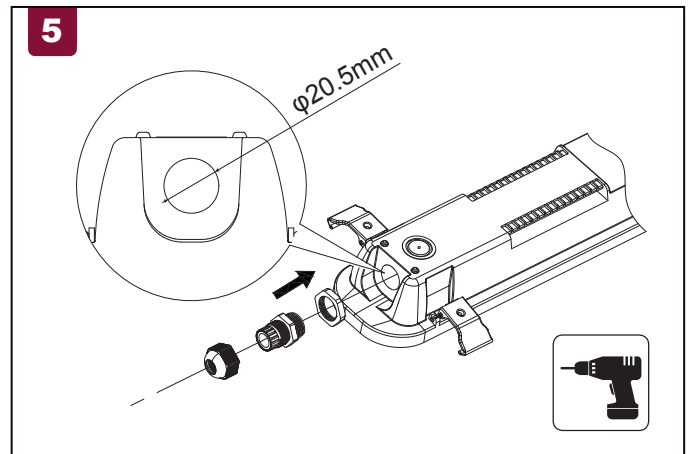
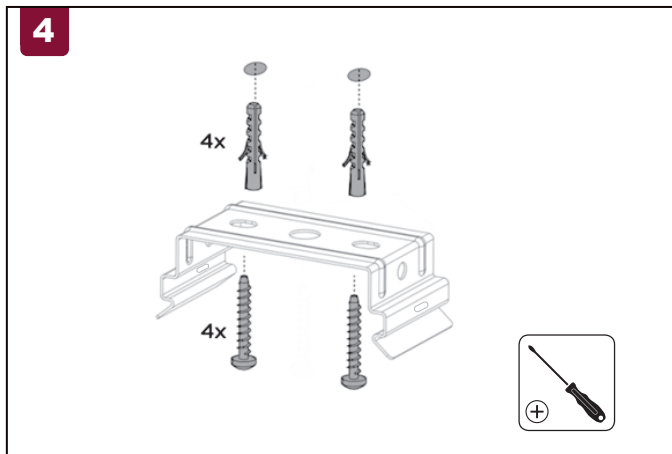
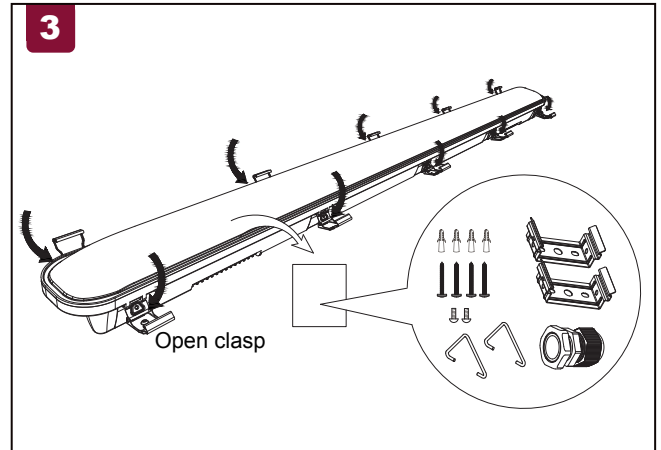
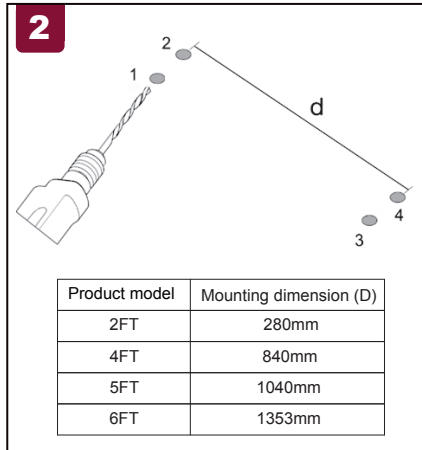
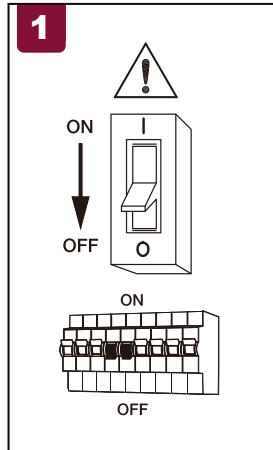
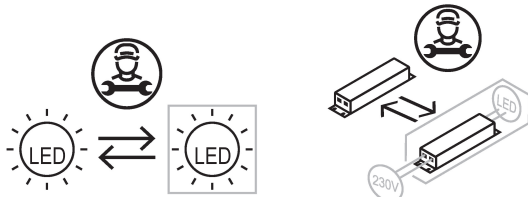
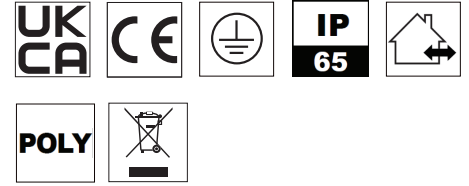
Instrucciones de instalación, Instructions d'installation, Installationsanleitung, إرشادات التركيب,
 Installatie-instructies, Instruções de instalação, Installatie-instructies,
 設置手順説明, Οδηγίες εγκατάστασης



Product Code:[ATORE /1/ Range]



Master
Translations
QR Link



Ansell Electrical Products
 Unit 6B, Stonecross Industrial
 Park,
 Yew Tree Way,
 Warrington,
 WA3 3JD

Ansell (Sales & Distribution)
 Unit 2, M2 Business Park,
 Duncrue Street,
 Belfast,
 BT3 9AQ

Ansell (Sales & Distribution) Republic of Ireland Limited
 Unit G1, Block G,
 Calmount Park, Calmount Avenue
 Dublin 12,
 D12 TH56

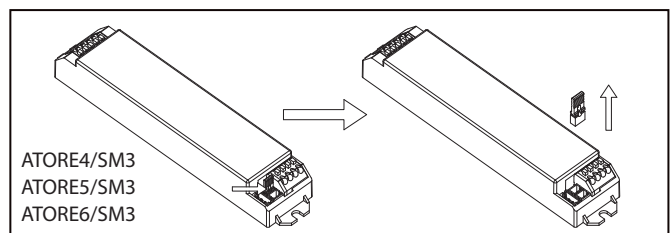
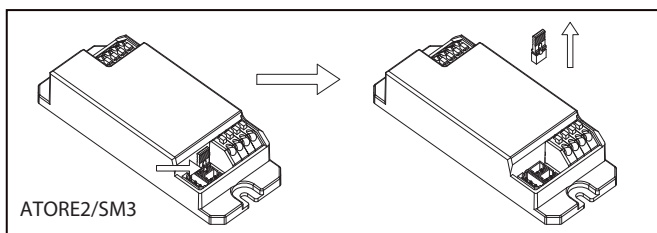
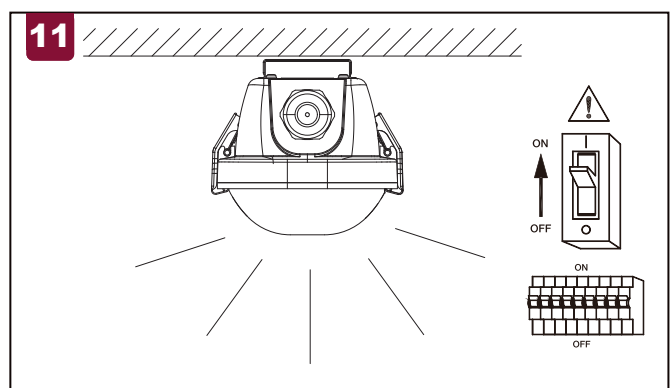
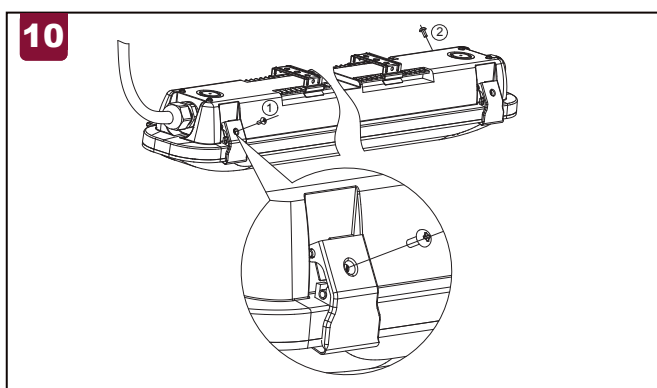
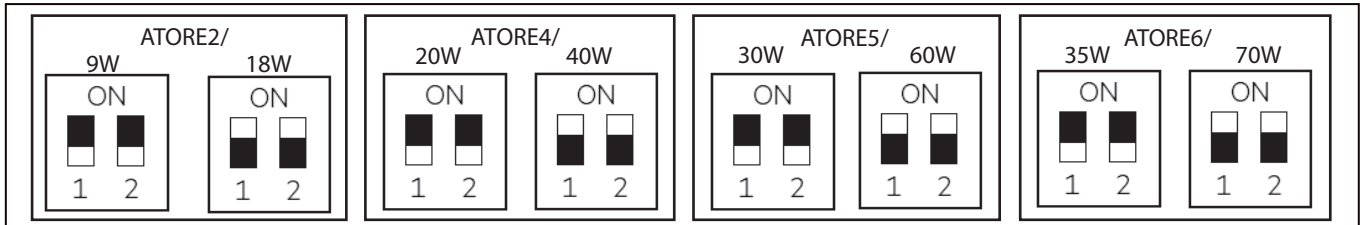
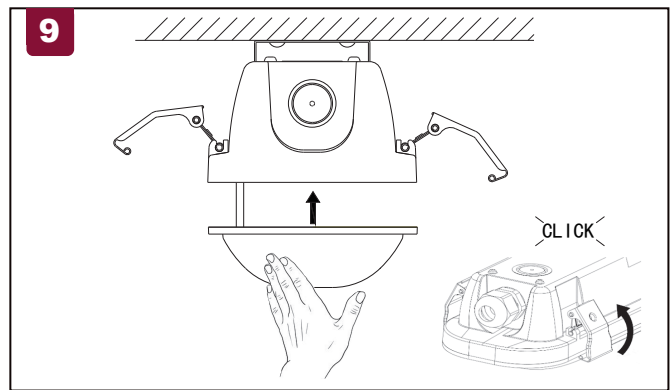
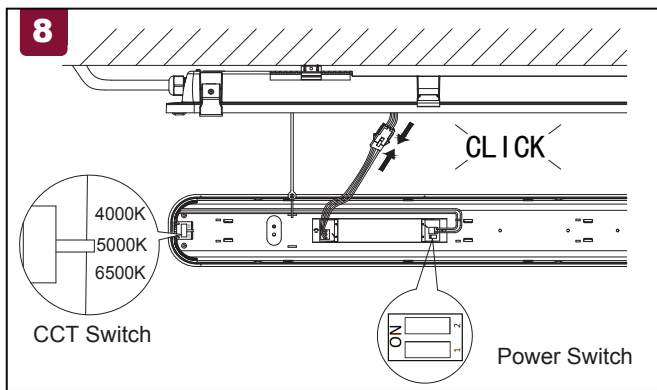
www.ansell-lighting.com

Warrington Tel: +44 (0)1942 433333

Belfast Tel: +44 (0)2890 773750

International Tel: +44 (0)1942 433343

Spain Tel: 00 34 938 005642



Emergency LED System Status

LED Indication	Status	Commentary
Permanent green	Standby, System OK	Mains Operation, battery is charged
Fast flashing green (0.25s on – 0.25s off)	Function test underway	Function test underway
Slow flashing green (1 s on – 1 s off)	Duration test underway	Duration test underway
Permanent Red	Lamp failure	Open Circuit or Short Circuit or LED failure
Fast flashing red (0.25 s on – 0.25 s off)	Battery capacity failure	Battery failed duration test
Slow flashing red (1 s on – 1 s off)	Battery fault	Incorrect battery voltage or Short Circuit or Open Circuit
Green and red off	Battery Operation	Emergency mode: Mains disconnected or Mains failure

NOTICE

Fault status:

If an error is detected, the indicator LED switches to RED. If the error has been corrected please re-connecting the battery after the mains power off, the indicator LED immediately switches back to GREEN when mains power on.

NOTICE

Battery failed duration test:

After an exchange of the battery and holding down the button (>10S) reset the timer, the indicator LED switches to GREEN.

Ansell Electrical Products
Unit 6B, Stonecross Industrial Park,
Yew Tree Way,
Warrington,
WA3 3JD

Ansell (Sales & Distribution)
Unit 2, M2 Business Park,
Duncrue Street,
Belfast,
BT3 9AQ

Ansell (Sales & Distribution) Republic of Ireland Limited
Unit G1, Block G,
Calmount Park, Calmount Avenue
Dublin 12,
D12 TH56

www.ansell-lighting.com

Warrington Tel: +44 (0)1942 433333

Belfast Tel: +44 (0)2890 773750

International Tel: +44 (0)1942 433343

Spain Tel: 00 34 938 005642