

Installation Instructions

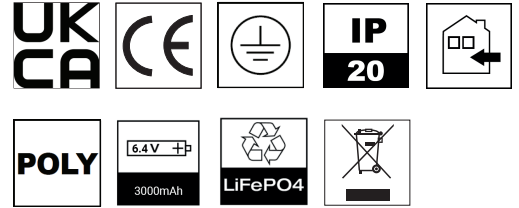
Instrucciones de instalación, Instructions d'installation, Installationsanleitung, إرشادات التركيب,
 Installatie-instructies, Instruções de instalação, Installatie-instructies,
 設置手順説明, Οδηγίες εγκατάστασης



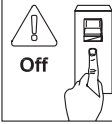
Product Code:[APOD/1/3NM/DA]



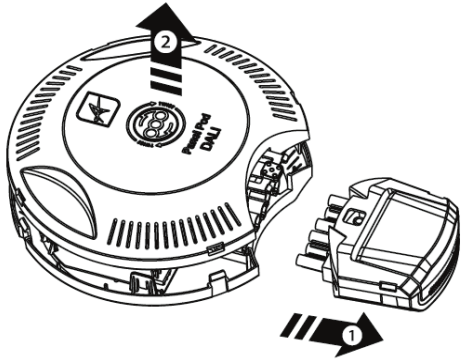
Master
Translations
QR Link



1

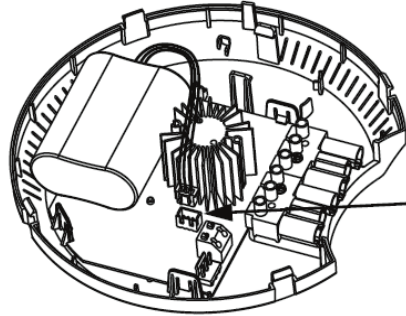
 Off

Pull out the connection box and open the top cover.



2

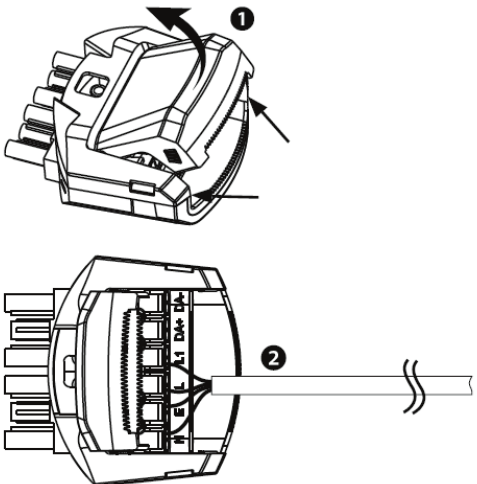
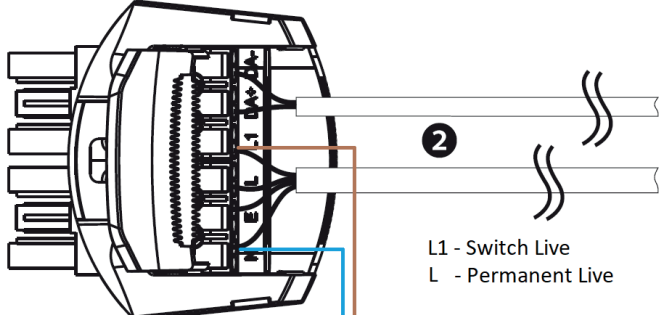
Connect the battery.



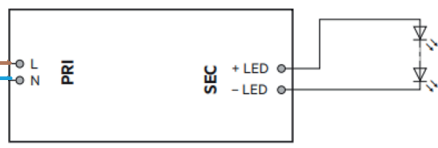
Battery Connector

3

Open the cover with a screw driver and connect the cable

L1 - Switch Live
L - Permanent Live



Ansell Electrical Products
 Unit 6B, Stonecross Industrial
 Park,
 Yew Tree Way,
 Warrington,
 WA3 3JD

Ansell (Sales & Distribution)
 Unit 2, M2 Business Park,
 Duncrue Street,
 Belfast,
 BT3 9AQ

Ansell (Sales & Distribution) Republic of Ireland Limited
 Unit G1, Block G,
 Calmount Park, Calmount Avenue
 Dublin 12,
 D12 TH56

www.ansell-lighting.com

Warrington Tel: +44 (0)1942 433333

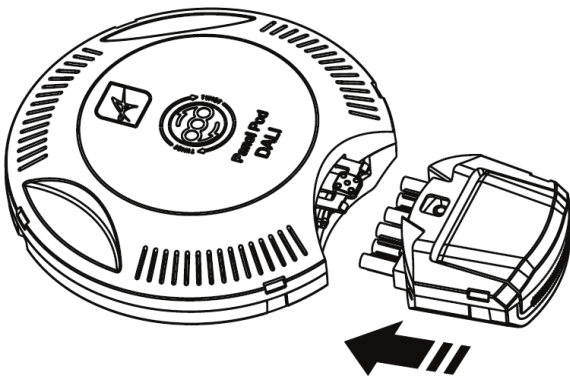
Belfast Tel: +44 (0)2890 773750

International Tel: +44 (0)1942 433343

Spain Tel: 00 34 938 005642

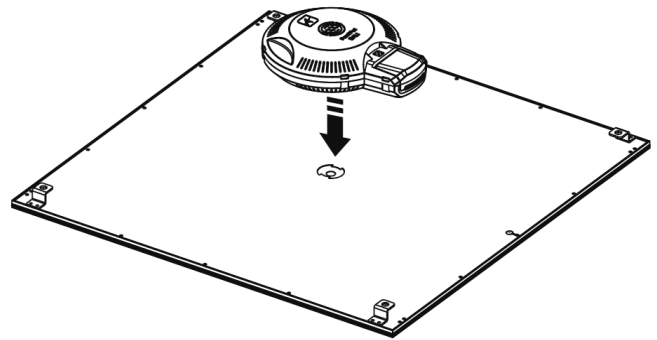
4

Connect the connection box



5

Attach to the Panel Light.



6

Rotate 90° to lock the product.

