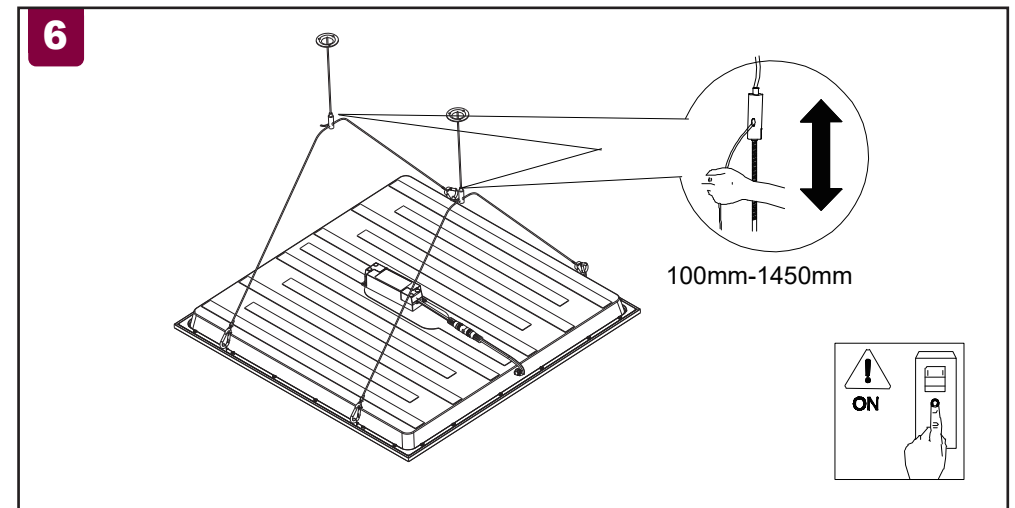
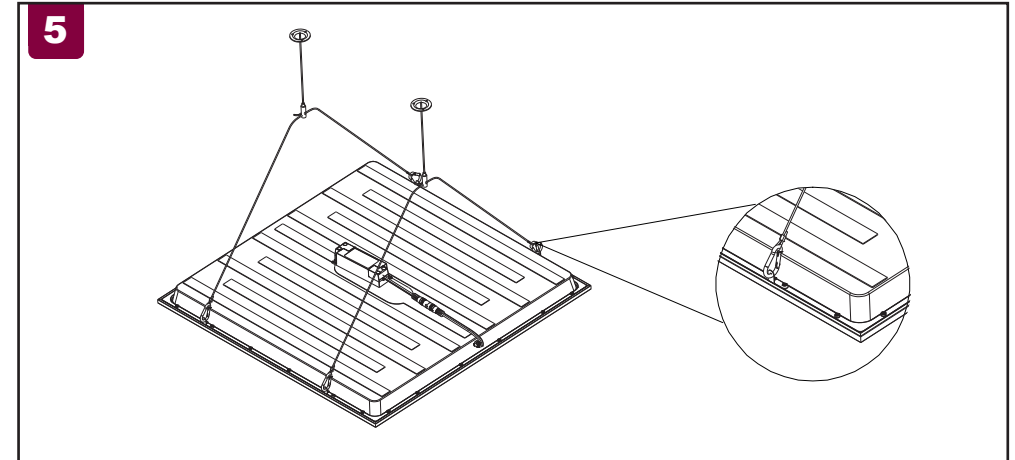
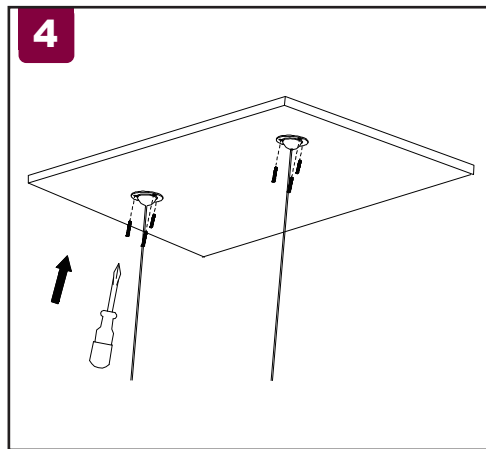
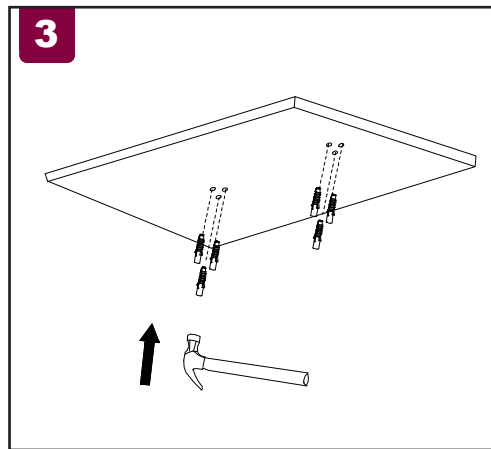
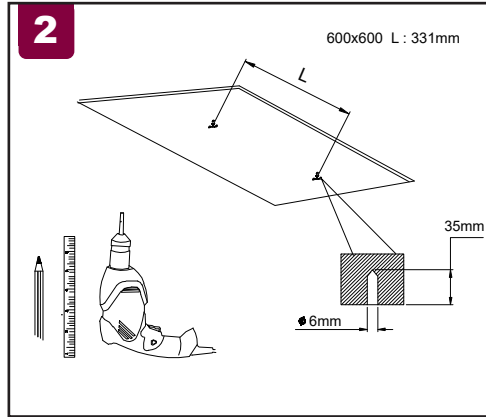
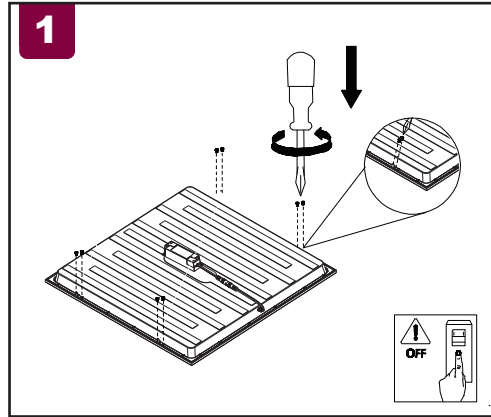
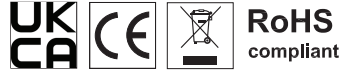


# Installation Instructions

Instrucciones de instalación, Instructions d'installation, Installationsanleitung, إرشادات التركيب,  
 Installatie-instructies, Instruções de instalação, Installatie-instructies,  
 設置手順説明, Οδηγίες εγκατάστασης



Product Code:[APACLED/SK]



Ansell Electrical Products  
 Unit 6B, Stonecross Industrial  
 Park,  
 Yew Tree Way,  
 Warrington,  
 WA3 3JD

Ansell (Sales & Distribution)  
 Unit 2, M2 Business Park,  
 Duncrue Street,  
 Belfast,  
 BT3 9AQ

Ansell (Sales & Distribution) Republic of Ireland Limited  
 Unit G1, Block G,  
 Calmount Park, Calmount Avenue  
 Dublin 12,  
 D12 TH56



Warrington Tel: +44 (0)1942 433333 Belfast Tel: +44 (0)2890 773750 International Tel: +44 (0)1942 433343 Spain Tel: 00 34 938 005642

Issue Number: [1]

Ansell Electrical Products  
 Unit 6B, Stonecross Industrial  
 Park,  
 Yew Tree Way,  
 Warrington,  
 WA3 3JD

Ansell (Sales & Distribution)  
 Unit 2, M2 Business Park,  
 Duncrue Street,  
 Belfast,  
 BT3 9AQ

Ansell (Sales & Distribution) Republic of Ireland Limited  
 Unit G1, Block G,  
 Calmount Park, Calmount Avenue  
 Dublin 12,  
 D12 TH56



Warrington Tel: +44 (0)1942 433333 Belfast Tel: +44 (0)2890 773750 International Tel: +44 (0)1942 433343 Spain Tel: 00 34 938 005642

Issue Number: [1]