

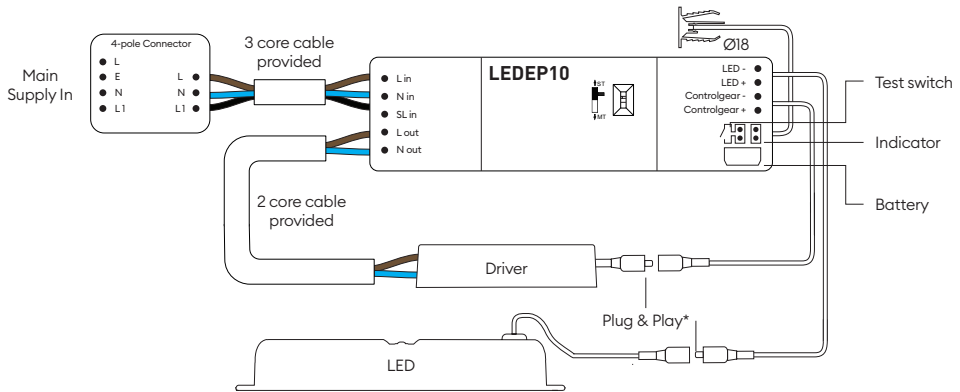
LEDEP10

Self-Test Emergency Converter

Installation instructions



collingwood



* Make sure plug & play connectors polarity matches the products you are installing

en

Installation

1. Refer to the LED unit installation instructions and install all non-emergency LED units.
2. For each emergency light position, drill 18mm hole for LED indicator close to the LED unit hole.
3. Drill 7mm hole for test button (optional).
4. Switch the emergency converter to the appropriate testing mode (up for self test and down for manual test).
Note: Self-Test will be the standard setting.
5. Connect plug and play connectors to the corresponding connectors of the LED unit and LED driver.
6. Connect input of the LED driver to the LEDEP10 output (L out, N out)
7. Connect the mains supply to the 4pole connector. L in = unswitched Live, N in = Neutral, E = Earth, SL in /L1= Switched Live
8. Fit cable clamps to secure the wires.
9. Connect the battery and write installation date on the battery. Battery is installed in the emergency pack housing, to remove it open the end cover and pull the battery.
10. Feed the junction boxes/connectors and LEDEP10 though the ceiling hole.
11. Fit the indicator housing to the indicator LED, then press the housing into the ceiling.
Note: If the drilled hole is slightly larger than 18mm, it may be necessary to apply a little adhesive to the housing to secure it.
12. Fit the LED unit into the ceiling.
13. See section emergency pack commissioning.

Installation data

- Isolate the mains supply, prior to wiring.
- This unit must be wired by a qualified electrician or suitable competent person.
- Plug the battery in before installation.
- Do not cover emergency pack with insulation.
- Use only with LED modules, ensuring the supplied emergency markings are placed on the luminaire.
- Input Voltage 220-240V AC 50/60Hz.
- Battery must be replaced when the unit no longer meets it's rated emergency duration, or if a battery fault occurs. Contact Collingwood Lighting for a suitable replacement.



5 year warranty



Disposal of this product should be separate from household waste. Please separate these items from other types of waste and recycle them responsibly to promote the sustainable reuse of material resource. Household users should contact their local government office for details of where and how they can take these items for environmentally safe recycling.

LEDEP10

Self-Test Emergency Converter

Installation instructions



collingwood

en

Emergency pack commissioning

1. Reset the self-test counter to 0 – hold test button for at least 10s.
2. Provide an uninterrupted mains power supply (permanent live) for 24 hours.
3. Check that the green indicator LED light is lit, this confirms that the battery is charging.
4. Initial duration test will start automatically 24h after installation.
5. After a successful duration test, the green LED will be flashing for 5 days, allowing the user to acknowledge it.

Testing

Periodic testing of the unit must be performed in line with the appropriate regulations.

Self-test version

- Initial duration test: The test will be carried out automatically 24 hours after the unit is powered up. The green LED indicator will be flashing for 5 days if the duration test passed.
- Functional test (every 7 days) - 5 seconds test, check functionality of emergency unit, battery and LED unit.
- Full test (every 180-182 days) - full duration test - 3 hours. Green LED indicator will be flashing slowly for 5 days if the duration test passed.

Test switch functionality

- Hold test button for 1s – functional test – 5 seconds test, check functionality of emergency unit, battery and LED unit.
- Hold test button for at least 10s – reset self-test counter to 0 for functional and full duration test.

LED indicator status

LED indicator status	Comment
Green LED on	Product connected and functioning correctly
Green LED flashing (approx. 0.25s interval)	Functional test in progress
Green LED flashing (approx. 1s interval)	Successful duration test - flashing for 5 days Duration test in progress
Red LED on	LED unit failure
Red LED flashing (approx. 0.25s interval)	Battery duration test failure
Red LED flashing (approx. 1s interval)	Battery fault – short circuit, open circuit, incorrect battery voltage
Red LED flashing (approx. 1s on and 3s off)	Battery thermal protection has disabled charging and discharging*

*Ensure the installation temperatures are within the ambient temperature range of the product.



5 year warranty



Disposal of this product should be separate from household waste. Please separate these items from other types of waste and recycle them responsibly to promote the sustainable reuse of material resource. Household users should contact their local government office for details of where and how they can take these items for environmentally safe recycling.

LEDEP10

Self-Test Emergency Converter

Installation instructions



collingwood

en

Emergency installation and maintenance record

Product : _____

Installer : _____

Date installed : _____

Commissioning by : _____

Date commissioned : _____

	Year 1		Year 2		Year 3		Year 4		Year 5	
Month	Signed	Date	Signed	Date	Signed	Date	Signed	Date	Signed	Date
1										
2										
3										
4										
5										
6										
7										
8										
9										
10										
11										
12										