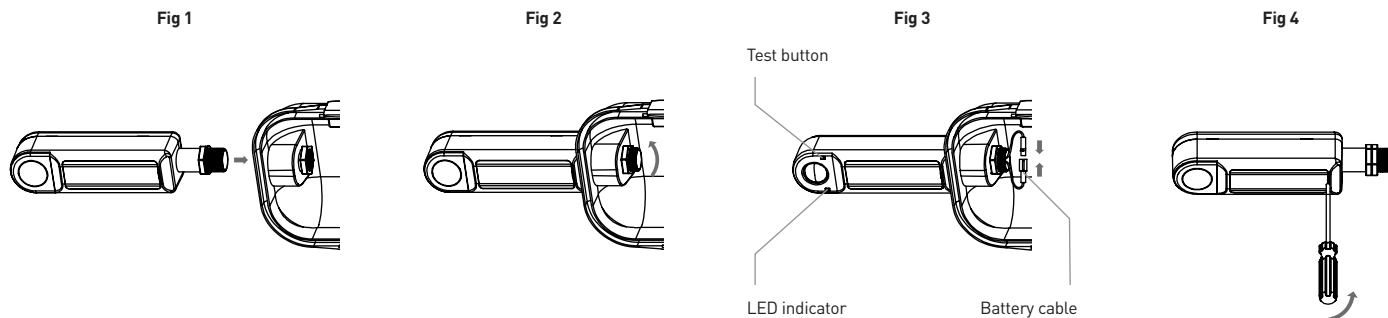


# Salvus M20 Emergency (Self-Test)

Installation instructions



EN

## Installation

1. Isolate the mains supply prior to wiring.
2. Insert the Salvus emergency into 20mm entry point of the compatible luminaire (Fig 1), and secure it with the nut (Fig 2). To maintain IP rating of the product make sure the IP gasket is fitted correctly and free from debris.  
**Note:** Salvus M20 emergency is compatible with the LENTUS lowbay, CAIMAN anti-corrosive and BOREALIS batten.
3. Connect the battery cable (Fig 3).
4. Connect the Salvus emergency to the luminaire's mains supply terminal: brown = permanent live, blue = neutral (see instruction received with the luminaire for details).
5. Install the luminaire with Salvus emergency fitted as per instruction received with the luminaire and connect it to the mains supply.
6. Open the battery cover (Fig 4) and write commissioning date on the battery label.

## Emergency pack commissioning and self testing

1. Provide an uninterrupted mains power supply (permanent live) for 24 hours.
2. Check that the green indicator LED light is lit. This confirms that the battery is charging. If ever the green LED is not lit, investigate immediately and rectify the fault.
3. Initial duration test: 24 Hours after the initial install, the unit will perform a duration test. During this time and upon successful completion of the duration test, the indicator will flash green for 5 days, before changing to solid green to show the battery is charged and unit is functioning correctly.
4. Half year duration test: The test will be carried every 180-182 days.
5. System status is shown by means of the red/green led indicator as follows:

LED Indicator Colour	Status	Notes
Solid Green	Standby, system ok	
Fast Flashing Green (≈0.25sec on/off)	Function test underway	
Slow Flashing Green (≈1sec on/off)	Duration test underway	
Solid Red	Unit failure (possible open circuit, short circuit or LED issue)	Once the error has been rectified and with the mains power off, the battery must be disconnected and re-connected. Once the mains power is restored, the solid green indicator will show.
Fast Flashing Red (≈0.25sec on/off)	Battery failed duration test	Once the battery has been replaced successfully and after re-setting the system timer (hold test button down for >10secs), the solid green indicator will show.
Slow Flashing Red (≈1sec on/off)	Incorrect battery voltage or possible short circuit/ open circuit issue	
Green and Red off	Emergency mode: mains disconnected or mains failure	

## Testing

Periodic testing of the unit must be performed in line with the appropriate regulations. A short press (>1sec) of the test button (Fig.3) starts a function test lasting 5 seconds (this will only work if the battery has been charging for at least 30mins / has ≥5% charge). Holding down the button (>10secs) resets the system timer.

## Installation data

- This unit must be wired by a qualified electrician or suitable competent person.
- The light source of this luminaire is not replaceable. When the light source reaches its end of life the whole luminaire shall be replaced.
- The battery in this unit is not replaceable. When the unit no longer meet its rated emergency duration the whole unit shall be replaced.

<b>Rated Voltage</b>	220-240V AC 50/60Hz
<b>Input Current</b>	0.013A
<b>Power</b>	2.5W max
<b>Power Factor</b>	>0.5
<b>Inrush Current</b>	2A 2.6ms



Disposal of this product should be separate from household waste. Please separate these items from other types of waste and recycle them responsibly to promote the sustainable reuse of material resource. Household users should contact their local government office for details of where and how they can take these items for environmentally safe recycling.



4 year warranty



# Salvus M20 Emergency (Self-Test)

Installation instructions

Product : \_\_\_\_\_

Installer : \_\_\_\_\_

Date installed : \_\_\_\_\_

Commissioning by : \_\_\_\_\_

Date commissioned : \_\_\_\_\_

Year 1									Year 2		Year 3		Year 4	
Month	Signed	Date	Signed	Date	Signed	Date	Signed	Date	Signed	Date	Signed	Date	Signed	Date
1														
2														
3														
4														
5														
6														
7														
8														
9														
10														
11														
12														

