

NIAP protection profile

This product is certified to the NIAP protection profile PSD version 4.0 certification for peripheral sharing devices.

Security Vulnerability

- Web form: <https://www.adder.com/en/support/contact-support>
- Email: compliance@adder.com
- Tel: +44 (0)333 2079766

Notes and warnings

- Note: Holographic anti-tampering labels protect the product's enclosure, providing a clear visual indication if it has been opened or compromised.
- WARNING: For security reasons, this product does not support wireless keyboards. It is recommended not to connect a microphone or headset to the audio output port.
- WARNING: If the unit's enclosure appears disrupted or if all of the indicators are flashing continuously, remove the product from service immediately and contact Technical Support.
- Maximum allowable ambient temperature: 40°C.

Dimensions

- 444 (W) x 155 (D) x 44 (H) mm, weight 2.6 kg

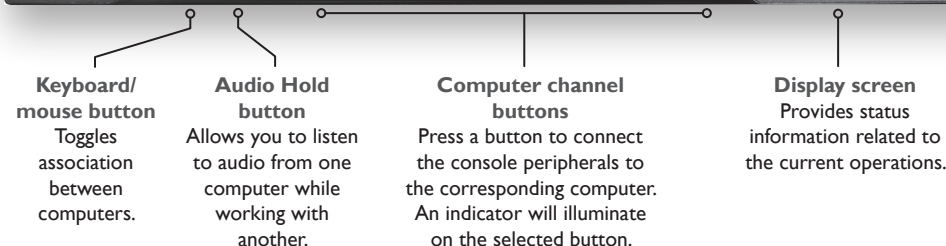
Supplied power adapter

- Input: 120 to 240VAC, 50 to 60Hz, autoswitching.
- Output: 12VDC, 2.5A maximum.

Welcome

This quick start guide covers some of the key points of the ADDERView Secure model: AVS-4128

The ADDERView Secure 8-port High Security Flexi-Switch allows you to work simultaneously on two computers, view the extended screens of all computers. You can connect two displays and up to eight computers to the Flexi-Switch unit. Select which computer to present on each display or duplicate the output of any computer by presenting it on both displays simultaneously.



Do not connect this product to computing devices that:

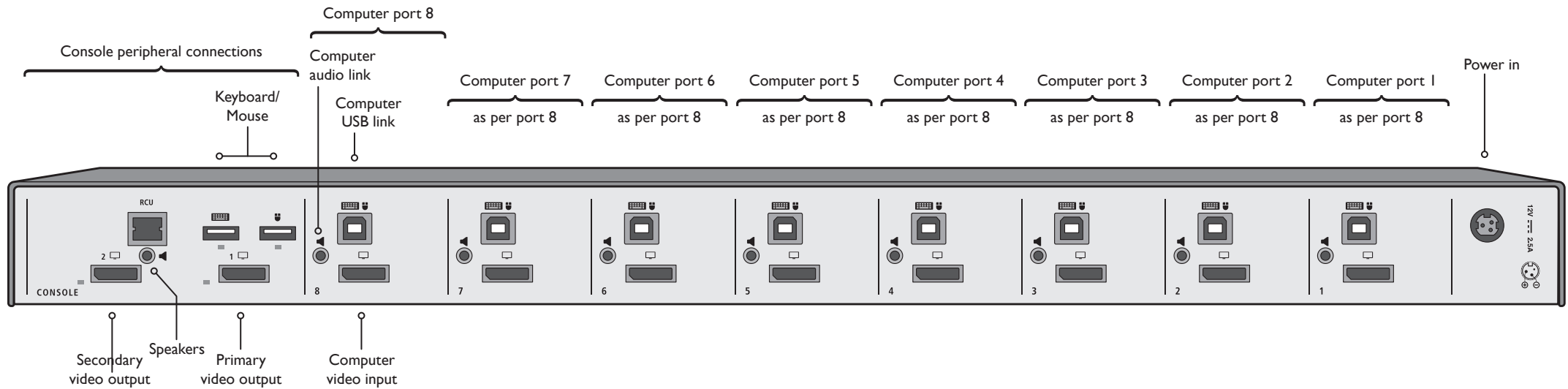
- are TEMPEST computers,
- include telecommunication equipment,
- include frame grabber video cards,
- include special audio processing cards.



www.adder.com

Connections

Note: Ensure that all peripherals and computers are switched OFF prior to connecting them to the product.



Operation

Connect all peripherals and computers to the Flexi-Switch. Ensure that the video display(s) are switched on before powering on the Flexi-Switch.

Switching between computers

The unit enables flexible association of computers to video displays and peripherals:

- Use the Source Selection buttons on front panel to choose which computer source to display on which video display. The keyboard/mouse button is used to control whether the selection is associated with the source connected to the Primary or Secondary video display. A source can be duplicated, by selecting the same number for both video displays.
- By default, mouse, keyboard and audio peripherals follow the display association. However, you can independently switch video, keyboard & mouse ports between computers by using the keyboard/mouse button.

Console port indications

Video LEDs

- Off - No EDID
- Flashing - Read in progress
- On - EDID received

USB LEDs

- Off - No device detected
- Flashing - Device rejected
- On - Device approved

Audio Hold

The Audio Hold button prevents switching the audio port when changing the other console peripherals (keyboard, mouse, video) to another computer channel. This function is useful when you need to listen to the audio from one computer while working on another.

Using the front panel computer channel buttons, first connect the console peripherals to the computer from where the audio feed is required. Press the Audio Hold button on the front panel. Then press the channel button for the computer that is required for the other peripherals. The audio association will be signalled by the right indicator on each channel's front panel push button.

To release the audio from hold status, press the Audio Hold button again.

Power on self-test

When the Flexi-Switch powers up it performs a self-test procedure. If the self-test fails for any reason, including a jammed button, the unit will become inoperable. The front panel indicators will show an abnormal display. Contact technical support and avoid using the product.