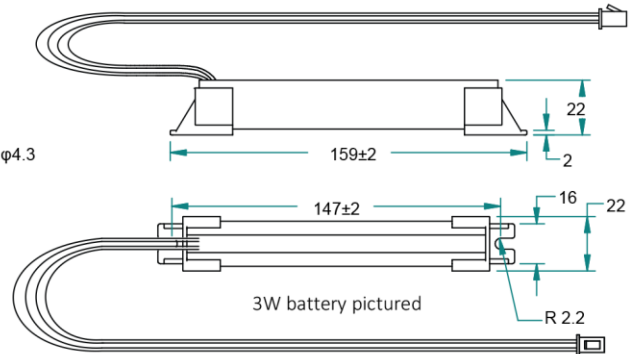
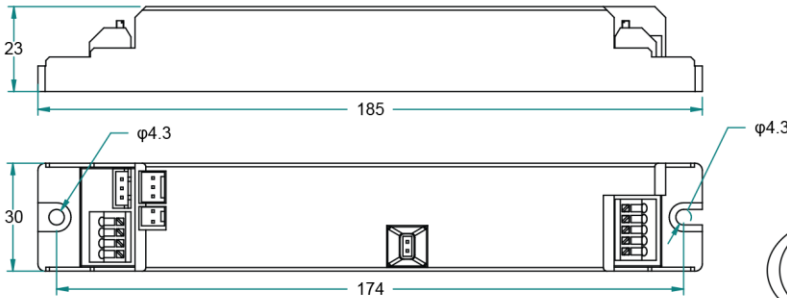


## FXE06S LED EMERGENCY CONVERSION KIT

Thank you for purchasing our FXE06S LED Emergency Conversion Kit. FOX LUX products have been designed and certified to the latest standards. When installed and maintained correctly, will provide a long service life. The *SELF-TEST\** feature is disabled as standard and can be activated via remote control.



Max. battery case temp: 60°C



### FXE06S-300

Rated supply voltage	220-240 V AC
mains frequency	50 - 60 Hz
Max power consumption	5W
Standby power	< 0.8W
Emergency output power	3 - 6W constant power
LED forward voltage range	50-300 Vdc
Max. output voltage	310 Vdc
Emergency rated duration	3 hours
Battery charging time	< 16 hours
Operating temp.	0 - 50 °C
Module Tc.	70 °C
Insulation class	II
Dimensions (H x W x L)	23 x 30 x 185

Battery / Output Power (3hrs autonomy)	2 x 18650 Lithium-ion 3.6V 5.0Ah	3W
--	----------------------------------	----

It is important to check that the rating of the LED Driver does not exceed the values specified below:

1. The max. output current of the LED Driver is 5A peak.
2. The max. inrush current of the LED Driver is 60A peak for 1ms or 84A for 255µs.
3. The max. load of the LED Driver is 200W in operation. The load must be an LED.

\*The self-test function is disabled by default. If required please connect the receiver (IR/R) to the module and use remote control (REM10) to activate it.

PLEASE VISIT OUR WEBSITE OR CONTACT US FOR FURTHER INFORMATION



## FXE06S LED EMERGENCY CONVERSION KIT

### LED STATUS INDICATIONS

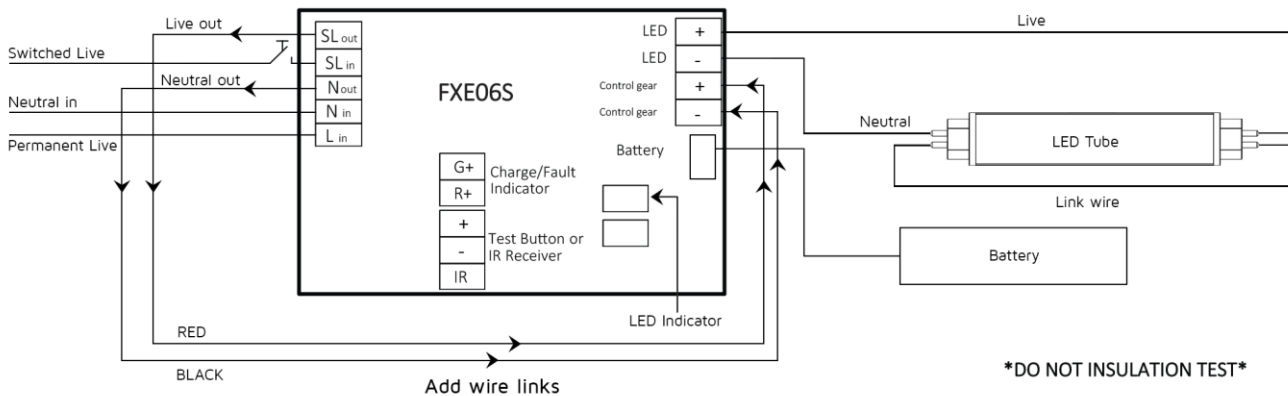
GREEN LED	RED LED	STATUS
ON ●	OFF ○	OK
1Hz FLASH ⊙	OFF ○	Charging
OFF ○	ON ●	Battery disconnected / Duration test fault
2Hz FLASH ⊘	OFF ○	Function / Duration test in progress
OFF ○	2Hz FLASH ⊘	Battery outside rated temperature range
OFF ○	1Hz FLASH ⊙	Light source fault or outside Vf range
0.5Hz FLASH ONCE Alternating ⊙	⊙	Remote acknowledgement (Except BAT Check, AST Check)

### Battery Status / Duration

Alternating 0.5Hz single flash ⊙	≥3hr 30min
Alternating 0.5Hz double flash ⊙ ⊙	3hr 15min to 3hr 30min
Alternating 0.5Hz triple flash ⊙ ⊙ ⊙	3hr to 3hr 15min
Alternating 0.5Hz quadruple flash ⊙ ⊙ ⊙ ⊙	NO TEST

- ⊙ Slow flash= 0.5Hz
- ⊙ Normal flash=1Hz
- ⊙ Fast flash=2Hz

### WIRING DIAGRAM



Ensure this product is disposed responsibly according to WEEE directive 2002/96/EC.



t | +44(0)1543 396400 | e | hello@fox-lux.co.uk | w | www.fox-lux.co.uk

Registered Office: Alex House 260/8 Chapel Street, Salford, Manchester, M3 5JZ  
Company Registration No. 11821284 VAT Registration No. 320 9921 12