

Safety Information

>All electrical work must be undertaken by a qualified contractor to ensure compliance with latest edition BS7671 and IEE/IET wiring regulations.

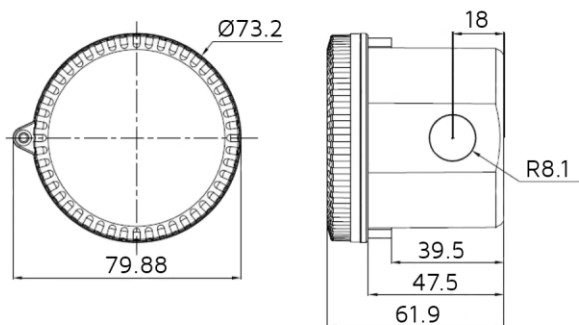
> Before installing the Motion and Photocell Sensor or doing any maintenance, ensure power supply is turned off at the circuit breaker or fuse box.

> This product is designed for permanent connection to fixed wiring; the circuit should be protected with the appropriate MCB or fuse.

Environment

>Please DO NOT dispose of electrical items or packaging as unsorted waste. Use the recycling facilities provided by your local authorities.

PRODUCT DIMENSIONS



All units are in mm

Important Warranty Information

The Motion Sensor has a 5 year warranty.

To claim, you must provide the product part number and date of manufacture, which can be found on the label attached to the sensor housing along with the original purchase invoice.



theLIA
MEMBER



Certificate No. FS 571788



Certificate No. EMS 571787

NET LED Ltd.
Buckingway Business Park
300 Anderson Road
Cambridge
CB24 4UQ
sales@netled.co.uk
www.netled.co.uk

Technical Helpline: 01223 851505
Email: support@netled.co.uk

www.netled.co.uk/downloads

Distributed by



MOTION AND PHOTOCELL SENSOR INSTALLATION GUIDE

MOTION SENSOR NET-42-43-36

KEY DATA

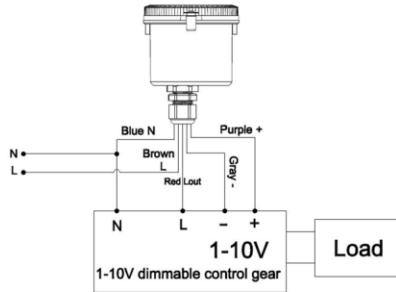
Input Voltage AC	120-277V
Power Frequency	60Hz
Stand-by Power	<1W
Maximum Detection Distance	15m
Detection Angle	150°(Wall), 360° (Ceiling mounting)
Operating Temp.	-35°C to +55°C
Daylight Sensor	5Lux/15Lux/30Lux/50Lux/ 100Lux/150Lux/Disable
Detection Area	25%/50%/75%/100%
Hold Time	5s/30s/1min/3min/5min/ 10min/20min/30min
Manufacturer	Merrytek



Installation procedure: Carefully read the instructions and ensure the mains supply is isolated before installation. Please follow the safety information overleaf before carrying out any installation. Please retain this leaflet for future reference.

Motion Sensor Installation:

Connect Sensor wiring as per below diagram.



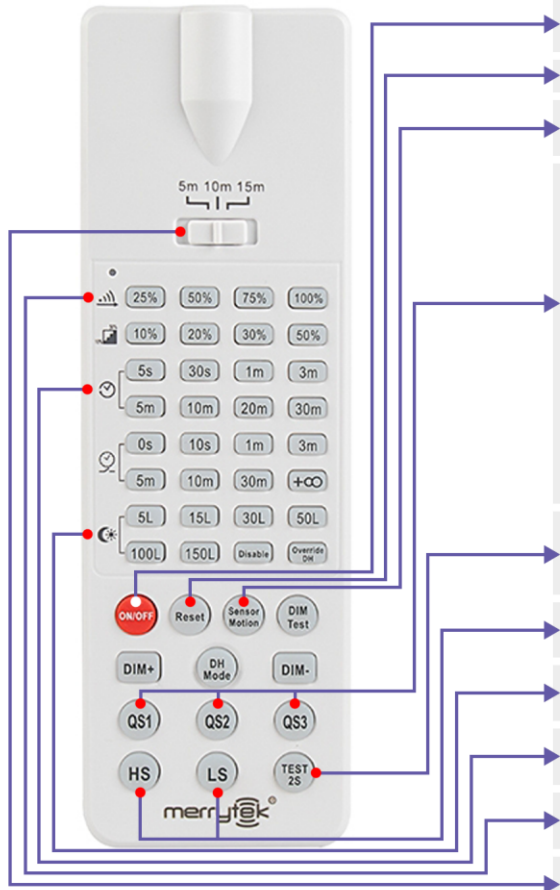
Remote control and code setting conversion:

1. Dip switch setting convert to remote control press any button except 'RESET' on the remote control and the sensor settings convert to the function currently selected by the remote control. (No function button settings invalid).
2. Remote control convert to DIP switch setting.
 - a. Press the 'RESET' button on the remote control and all settings return to the DIP switch settings of the sensor.
 - b. Turn off the power, toggle any DIP switch. Connect the power and all settings return to the DIP switch settings when supplying power again.

Remote Control Setting

Buttons

Remarks



	Press the 'ON/OFF' button. The light goes to constant on/off mode. Sensor is disabled. Press any button to quit from this mode and the sensor starts to work.																				
	Press 'RESET' button. All parameters are the same as the DIP switch factory settings.																				
	Press 'Sensor Motion' button. The light quits from the constant on/off mode and the sensor starts to work (The latest setting stays in validity).																				
	<table border="1"> <thead> <tr> <th>Scene Options</th> <th>Detection Area</th> <th>Hold Time</th> <th>Daylight Sensor</th> <th>Induction Mode</th> </tr> </thead> <tbody> <tr> <td>QS1</td> <td>100%</td> <td>5min</td> <td>30Lux</td> <td>Hs</td> </tr> <tr> <td>QS2</td> <td>100%</td> <td>10min</td> <td>Disable</td> <td>Hs</td> </tr> <tr> <td>QS3</td> <td>100%</td> <td>20min</td> <td>Disable</td> <td>Hs</td> </tr> </tbody> </table> <p>Note: Detection area / Hold time / Stand by period / Stand by dim level / Daylight sensor can be adjusted by pressing the corresponding button. The latest setting will stay valid.</p>	Scene Options	Detection Area	Hold Time	Daylight Sensor	Induction Mode	QS1	100%	5min	30Lux	Hs	QS2	100%	10min	Disable	Hs	QS3	100%	20min	Disable	Hs
Scene Options	Detection Area	Hold Time	Daylight Sensor	Induction Mode																	
QS1	100%	5min	30Lux	Hs																	
QS2	100%	10min	Disable	Hs																	
QS3	100%	20min	Disable	Hs																	
	Press the 'TEST 2S' button to enter the test mode anytime. In this mode, the sensor parameters are as follows: Detection Area is 100%. Hold time is 5s. Stand-by Period is 0s. Daylight sensor is disabled. This function is only for testing. To quit the mode, press 'RESET' or any other function buttons.																				
	Press 'HS' button to set the detection area to high sensitivity. Press 'LS' button to set the detection area to low sensitivity																				
	Detection Area Set up detection area: 5Lux / 15Lux / 30Lux / 50Lux / 100Lux / 150Lux / Disable																				
	Hold Time Set up hold time: 5S / 30S / 1min / 3min / 5min / 10min / 20min / 30min																				
	Detection Area Set up detection area: 25% / 50% / 75% / 100%																				
	Remote Distance Toggle button can set the remote distance of remote control and sensor.																				

Initialization

1: On/Off function / 3 step dimming function:

After power on, the sensor automatically turns on at 100% brightness. After 10sec, it turns off the light. During the initialization, the sensor is not able to detect movement.

2: 2 step dimming function:

After power on, the sensor automatically turns on light at 100% brightness. After 10sec, it dims the light to a low light level (set by stand-by dim level). During the initialization, the sensor is not able to detect movement.

