

Safety Instructions

>All electrical work must be undertaken by a qualified contractor to ensure compliance with latest edition BS 7671 and IEE/IET wiring regulations.

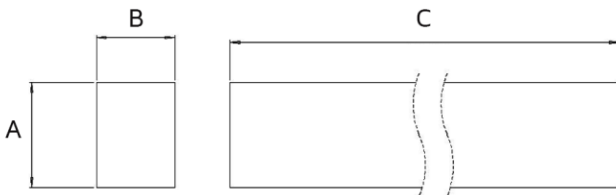
>Before installing a LED Linear or doing any maintenance, ensure power supply is turned off at the circuit breaker or fuse box.

>This product is designed for permanent connection to fixed wiring; the circuit should be protected with the appropriate MCB or fuse.

Environment

>Please DO NOT dispose of electrical items or packaging as unsorted waste, use the recycling facilities provided by your local authorities.

PRODUCT DIMENSIONS



Size (ft)	A	B	C
4	75	56	1204

All units are in mm

Important Warranty Information

The LED Linear has a 3 year warranty, which can be extended free of charge to 5 years by registering online via the website address below. The registrant must provide the product part number and date of manufacture, which can be found on the label attached to the luminaire housing.



Certificate No. FS 590684



Certificate No. EMS 590685

NET LED Lighting
Buckway Business Park
300 Anderson Road
Cambridge
CB24 4UQ
sales@netled.co.uk
www.netled.co.uk

Technical Helpline: 01223 851505
Email: support@netled.co.uk

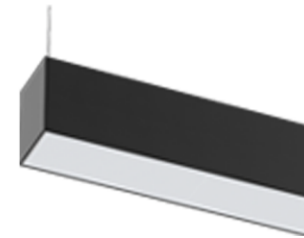
www.netled.co.uk/downloads

Distributed by



MARCH LINEAR INSTALLATION GUIDE

Part Number	Description
NET-43-11-30	Standard
NET-43-11-32	Emergency
NET-43-11-34	Self Test Emergency
NET-43-11-36	Dimmable
NET-43-11-38	Dimmable Emergency



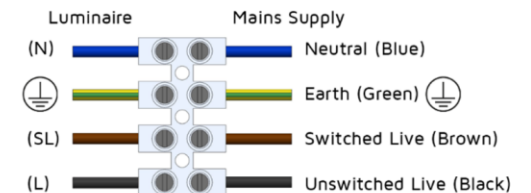
SUPPLY/EARTH CLASS

220-240V AC 50/60 Hz



Class I

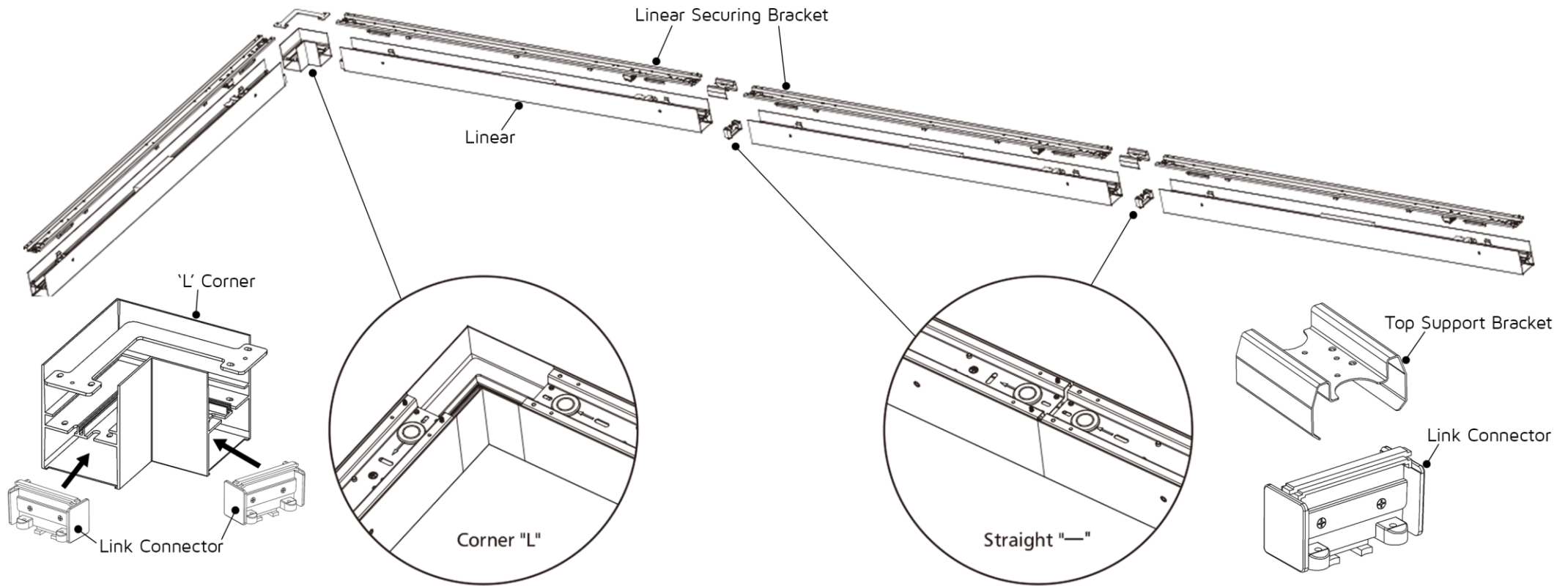
Fig.1 Mains Input Termination



Installation procedure: Carefully read the installation instructions and ensure the mains supply is isolated before installation. Please read the safety information overleaf before carrying out any installation. Please retain the leaflet for future reference.

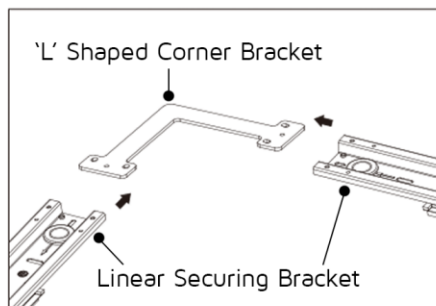
Installation Instructions

Multiple Linear connection options:



Corner Connector Kit NET-43-11-42

Attach the link connectors to each side of the 'L' Corner. Attach Corner Connector to the Linears and fit the 'L' shaped Corner Bracket to the Linear Securing Brackets.



Straight Link Connector Kit NET-43-11-40

Attach the Straight Link Connector and the Top Support bracket to the Linears.

