

Safety Information

>All electrical work must be undertaken by a qualified contractor to ensure compliance with latest edition BS7671 and IEE/IET wiring regulations.

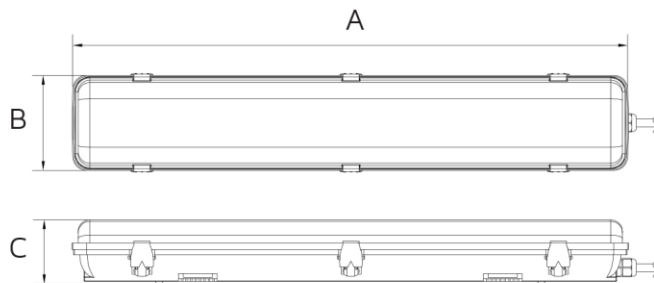
> Before installing a LED NCF Luminaire or doing any maintenance, ensure power supply is turned off at the circuit breaker or fuse box.

> This product is designed for permanent connection to fixed wiring; the circuit should be protected with the appropriate MCB or fuse.

Environment

>Please DO NOT dispose of electrical items or packaging as unsorted waste. Use the recycling facilities provided by your local authorities.

PRODUCT DIMENSIONS



Size	A	B	C
2ft	600	100	85
4ft	1200	100	85
5ft	1500	100	85
6ft	1800	100	85

Important Warranty Information

The LED NCF Luminaire has a 3 year warranty, which can be extended free of charge to 5 years by registering online via the website address below. The registrant must provide the product part number and date of manufacture, which can be found on the label attached to the luminaire housing.



Certificate No. FS 590684



Certificate No. EMS 590685

NET LED Lighting
Buckingway Business Park
300 Anderson Road
Cambridge
CB24 4UQ
sales@netled.co.uk
www.netled.co.uk

Technical Helpline: 01223 851505
Email: support@netled.co.uk

www.netled.co.uk/downloads

Distributed by



LED NCF LUMINAIRE INSTALLATION GUIDE

Part Number	Description
NET-41-11-01	Tri-colour 2ft 14/20W - Standard
NET-41-12-01	Tri-colour 2ft 14/20W - Emergency
NET-41-11-03	Tri-colour 4ft 24/40W - Standard
NET-41-12-03	Tri-colour 4ft 24/40W - Emergency
NET-41-12-04	Tri-colour 4ft 24/40W - Self Test EMG
NET-41-11-20	Tri-colour 4ft 40W - Dimmable
NET-41-12-09	Tri-colour 4ft 40W - Dimmable EMG
NET-41-11-05	Tri-colour 5ft 48/60W - Standard
NET-41-12-05	Tri-colour 5ft 48/60W - Emergency
NET-41-12-06	Tri-colour 5ft 48/60W - Self Test EMG
NET-41-11-12	Tri-colour 5ft 60W - Dimmable
NET-41-12-12	Tri-colour 5ft 60W - Dimmable EMG
NET-41-11-11	Tri-colour 6ft 62/80W - Standard
NET-41-12-11	Tri-colour 6ft 62/80W - Emergency
NET-41-12-13	Tri-colour 6ft 62/80W - Self Test EMG
NET-41-11-21	Tri-colour 6ft 75W - Dimmable
NET-41-12-15	Tri-colour 6ft 75W - Dimmable EMG

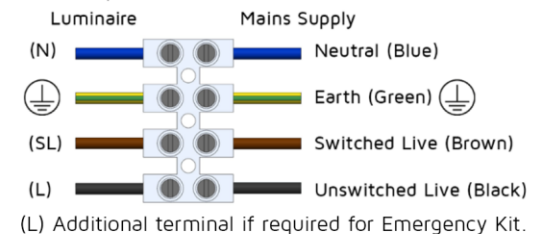
SUPPLY/EARTH CLASS

220-240V AC 50/60 Hz



Class I

Fig.1 Mains Input Termination



Installation procedure: Carefully read the installation instructions and ensure the mains supply is isolated before installation. Please read the safety information overleaf before carrying out any installation. Please retain the leaflet for future reference.

LED NCF Luminaire Installation:

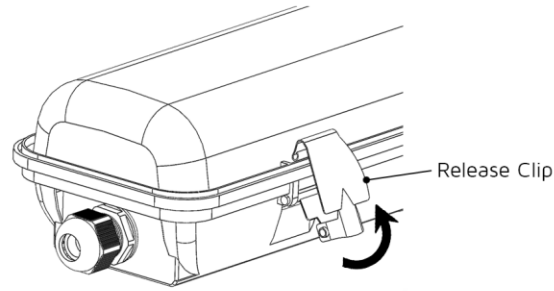


Replaceable light source by end-user

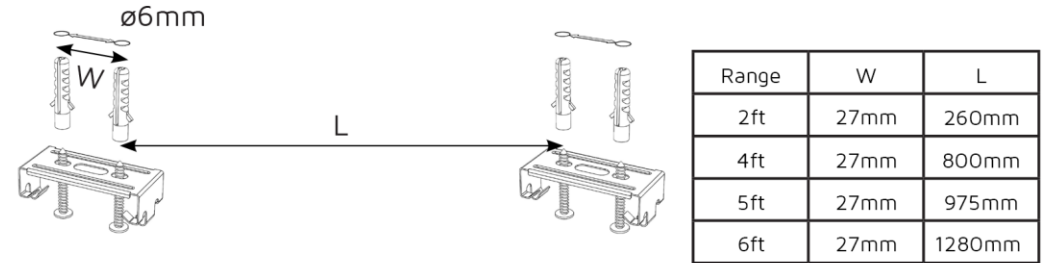


Replaceable control gear by professional

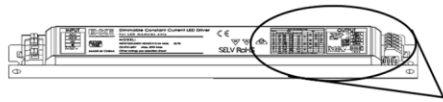
Step 1: Carefully remove the fitting from the packaging. Release the stainless steel clips to remove the diffuser. Access the accessories bag inside the housing.



Step 2: Fix the supplied metal clips on a mounting surface as per the illustration below.



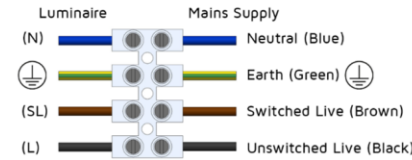
Step 3: Use the driver dip switches to select the required wattage according to the table below.



		Dip Switch			
		1	2	3	4
NET-41-11-01 (2FT)	14W	OFF	ON	ON	ON
	20W	OFF	ON	OFF	ON
NET-41-11-03 (4FT)	24W	ON	OFF	ON	ON
	40W	OFF	OFF	OFF	OFF
NET-41-11-05 (5FT)	48W	ON	OFF	ON	ON
	60W	OFF	ON	OFF	OFF
NET-41-11-11 (6FT)	62W	ON	OFF	ON	ON
	80W	OFF	OFF	OFF	OFF

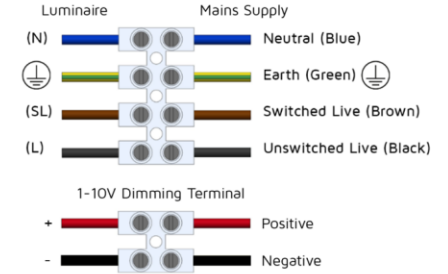
Step 4: Wire the mains supply through the cable gland to the terminal block inside the housing

Standard NCF wiring diagram

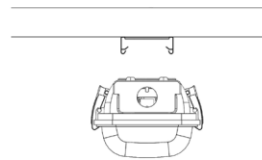
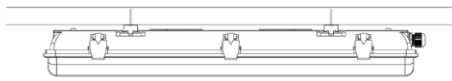


(L) Additional terminal if required for Emergency Kit.

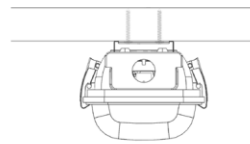
Dimmable NCF wiring diagram



Step 5: Refit the diffuser and lock the stainless steel clips. Align the luminaire with the mounting clips and push it into place. Turn on mains supply to test luminaire is working properly.



View A (metal clip and the luminaire body aligned)



View B (luminaire fixed in place)

Step 6: If you purchased an Emergency variant, ensure that the Emergency Test Record is completed when required.



Part Number:		Installation Date:								
Luminaire Ref/Location		In case of difficulty, contact the Installation Engineers: Tel: _____								
Full Recharge Time 24 Hours		Duration 3 Hours								
		Lamp Type - LED								
ROUTINE TEST RECORD										
	Year 1		Year 2		Year 3		Year 4		Year 5	
Monthly Test	Signed	Date	Signed	Date	Signed	Date	Signed	Date	Signed	Date
Functional										
Functional										
Functional										
Functional										
One Hour										
Functional										
Functional										
Functional										
Functional										
Three Hour										

Emergency Test Record example.

Safety Information

>All electrical work must be undertaken by a qualified contractor to ensure compliance with latest edition BS7671 and IEE/IET wiring regulations.

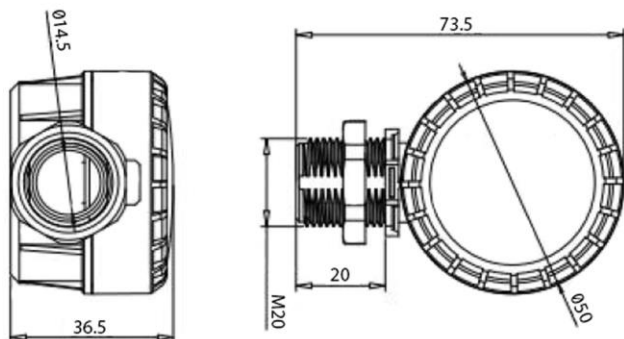
> Before installing the Motion and Photocell Sensor or doing any maintenance, ensure power supply is turned off at the circuit breaker or fuse box.

> This product is designed for permanent connection to fixed wiring; the circuit should be protected with the appropriate MCB or fuse.

Environment

>Please DO NOT dispose of electrical items or packaging as unsorted waste. Use the recycling facilities provided by your local authorities.

PRODUCT DIMENSIONS



All units are in mm

Important Warranty Information

The Motion Sensor has a 5 year warranty. To claim, you must provide the product part number and date of manufacture, which can be found on the label attached to the sensor housing along with the original purchase invoice.



theLIA
MEMBER



Certificate No. FS 571788



Certificate No. EMS 571787

NET LED Ltd.
Buckingway Business Park
300 Anderson Road
Cambridge
CB24 4UQ
sales@netled.co.uk
www.netled.co.uk

Technical Helpline: 01223 851505
Email: support@netled.co.uk

www.netled.co.uk/downloads

Distributed by



MOTION SENSOR
INSTALLATION
GUIDE

MOTION SENSOR NET-42-43-38

KEY DATA

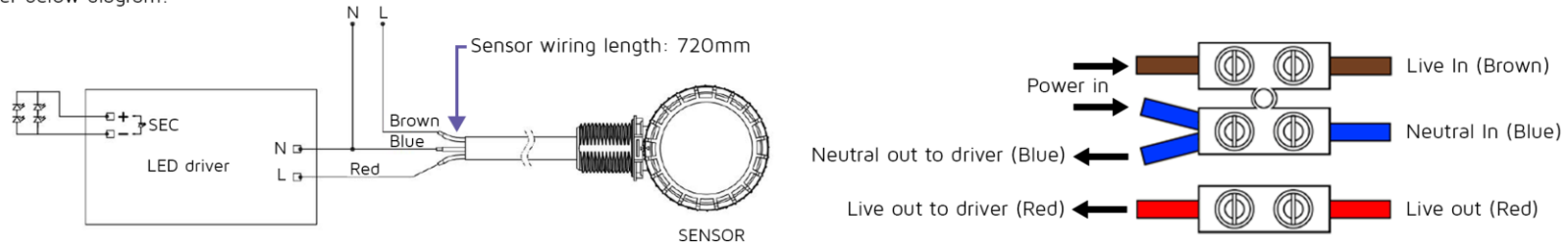
Input Voltage AC	120-277V
Power Frequency	50/60Hz
Maximum Load	400W-inductive or 800W-resistive
Maximum Detection Distance	12m
Detection Angle	150°(Wall), 360° (Ceiling mounting)
Operating Temp.	-15°C to +45°C
Daylight Sensor	5Lux/15Lux/30Lux/50Lux/ 100Lux/150Lux/Disable
Detection Area	25%/50%/75%/100%
Hold Time	5s/30s/1min/3min/5min/ 10min/20min/30min
Manufacturer	Merrytek



Installation procedure: Carefully read the instructions and ensure the mains supply is isolated before installation. Please follow the safety information overleaf before carrying out any installation. Pleaseretain this leaflet for future reference.

Motion Sensor Installation:

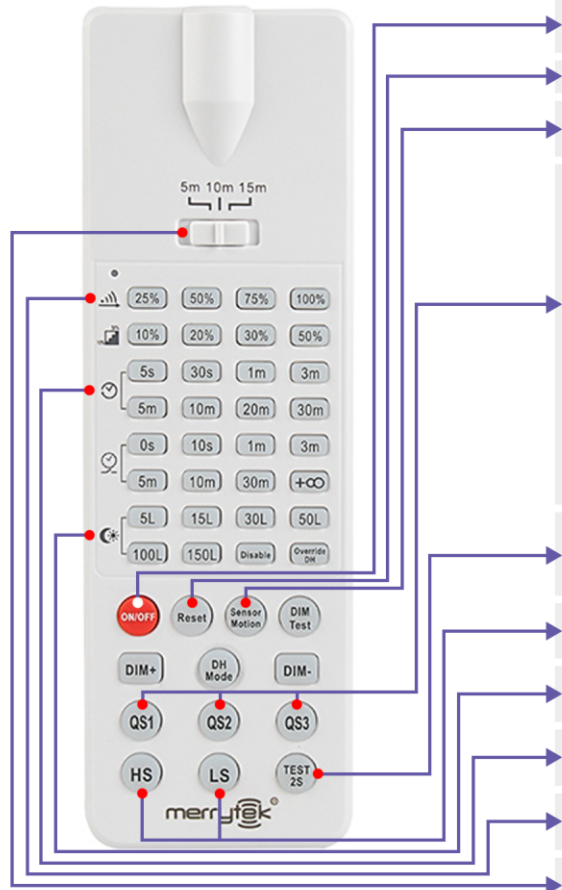
Connect Sensor wiring as per below diagram.



Remote Control Setting

Buttons

Remarks



	Press the 'ON/OFF' button. The light goes to constant on/off mode. Sensor is disabled. Press any button to quit from this mode and the sensor starts to work.																				
	Press 'RESET' button. All parameters are the same as the DIP switch factory settings.																				
	Press 'Sensor Motion' button. The light quits from the constant on/off mode and the sensor starts to work (The latest setting stays in validity).																				
	<table border="1"> <thead> <tr> <th>Scene Options</th> <th>Detection Area</th> <th>Hold Time</th> <th>Daylight Sensor</th> <th>Induction Mode</th> </tr> </thead> <tbody> <tr> <td>QS1</td> <td>100%</td> <td>5min</td> <td>30Lux</td> <td>Hs</td> </tr> <tr> <td>QS2</td> <td>100%</td> <td>10min</td> <td>Disable</td> <td>Hs</td> </tr> <tr> <td>QS3</td> <td>100%</td> <td>20min</td> <td>Disable</td> <td>Hs</td> </tr> </tbody> </table> <p>Note: Detection area / Hold time / Stand by period / Stand by dim level / Daylight sensor can be adjusted by pressing the corresponding button. The latest setting will stay valid.</p>	Scene Options	Detection Area	Hold Time	Daylight Sensor	Induction Mode	QS1	100%	5min	30Lux	Hs	QS2	100%	10min	Disable	Hs	QS3	100%	20min	Disable	Hs
Scene Options	Detection Area	Hold Time	Daylight Sensor	Induction Mode																	
QS1	100%	5min	30Lux	Hs																	
QS2	100%	10min	Disable	Hs																	
QS3	100%	20min	Disable	Hs																	
	Press the 'TEST 2S' button to enter the test mode anytime. In this mode, the sensor parameters are as follows: Detection Area is 100%. Hold time is 5s. Stand-by Period is 0s. Daylight sensor is disabled. This function is only for testing. To quit the mode, press 'RESET' or any other function buttons.																				
	Press 'HS' button to set the detection area to high sensitivity. Press 'LS' button to set the detection area to low sensitivity																				
	Detection Area Set up detection area: 5Lux / 15Lux / 30Lux / 50Lux / 100Lux / 150Lux / Disable																				
	Hold Time Set up hold time: 5S / 30S / 1min / 3min / 5min / 10min / 20min / 30min																				
	Detection Area Set up detection area: 25% / 50% / 75% / 100%																				
	Remote Distance Toggle button can set the remote distance of remote control and sensor.																				

