

Safety Information

>All electrical work must be undertaken by a qualified contractor to ensure compliance with latest edition BS 7671 and IEE/IET wiring regulations.

>Before installing an LED Batten or doing an maintenance, ensure power supply is turned off at the circuit breaker or fuse box.

>This product is designed for permanent connection to fixed wiring; the circuit should be protected with the appropriate MCB or fuse.

Environment

>Please DO NOT dispose of electrical items or packaging as unsorted waste. Use the recycling facilities provided by your local authorities.

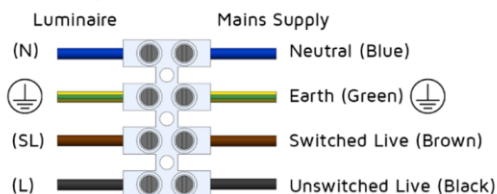
SUPPLY/EARTH CLASS

220-240V AC 50/60 Hz

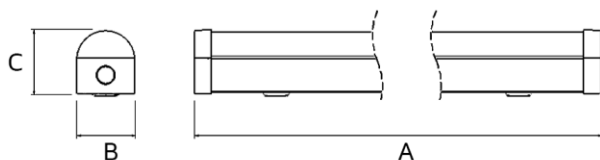


Class I

Fig.1 Mains Input Termination



PRODUCT DIMENSIONS



Size (ft)	A	B	C
2	600	63	73
4	1200	63	73
5	1500	63	73
6	1800	63	73

All units are in mm

Important Warranty Information

The LED Batten has a 3 year warranty, which can be extended free of charge to 5 years by registering online via the website address below. The registrant must provide the product part number and date of manufacture, which can be found on the label attached to the luminaire housing.



Certificate No. FS 590684



Certificate No. EMS 590685

NET LED Lighting
Buckway Business Park
300 Anderson Road
Cambridge
CB24 4UQ
sales@netled.co.uk
www.netled.co.uk

Technical Helpline: 01223 851505
Email: support@netled.co.uk

www.netled.co.uk/downloads

Distributed by



FOXTON LED BATTEN INSTALLATION GUIDE

Part Number	Description
NET-41-11-68	2ft 10W Batten - Standard
NET-41-11-69	2ft 10W Batten - Emergency
NET-41-11-91	4ft 20W Batten - Standard
NET-41-11-92	4ft 20W Batten - Emergency
NET-41-12-92	4ft 20W Batten - Self Test EMG
NET-41-11-08	4ft 20W Batten - Dimmable
NET-41-11-09	4ft 20W Batten - Dimmable EMG
NET-41-11-93	5ft 25W Batten - Standard
NET-41-11-94	5ft 25W Batten - Emergency
NET-41-12-94	5ft 25W Batten - Self Test EMG
NET-41-11-06	5ft 25W Batten - Dimmable
NET-41-11-07	5ft 25W Batten - Dimmable EMG
NET-41-11-96	5ft 50W Batten - Standard
NET-41-11-95	5ft 50W Batten - Emergency
NET-41-12-95	5ft 50W Batten - Self Test EMG
NET-41-11-13	5ft 50W Batten - Dimmable
NET-41-11-14	5ft 50W Batten - Dimmable EMG
NET-41-11-97	6ft 35W Batten - Standard
NET-41-11-98	6ft 35W Batten - Emergency
NET-41-12-98	6ft 35W Batten - Self Test EMG
NET-41-11-15	6ft 35W Batten - Dimmable
NET-41-11-16	6ft 35W Batten - Dimmable EMG
NET-41-11-10	6ft 75W Batten - Standard
NET-41-11-99	6ft 75W Batten - Emergency
NET-41-12-99	6ft 75W Batten - Self Test EMG
NET-41-11-17	6ft 75W Batten - Dimmable
NET-41-11-18	6ft 75W Batten - Dimmable EMG



Installation procedure: Carefully read the installation instructions and ensure the mains supply is isolated before installation. Please read the safety information overleaf before carrying out any installation. Please retain the leaflet for future reference.

LED Batten Installation:

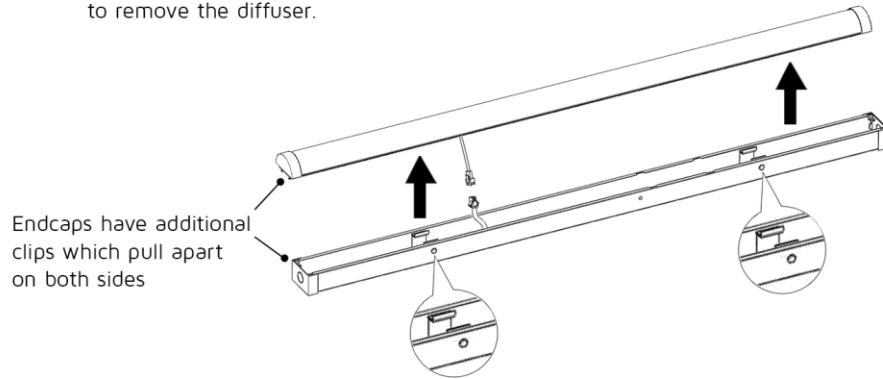


Replaceable light source by end-user

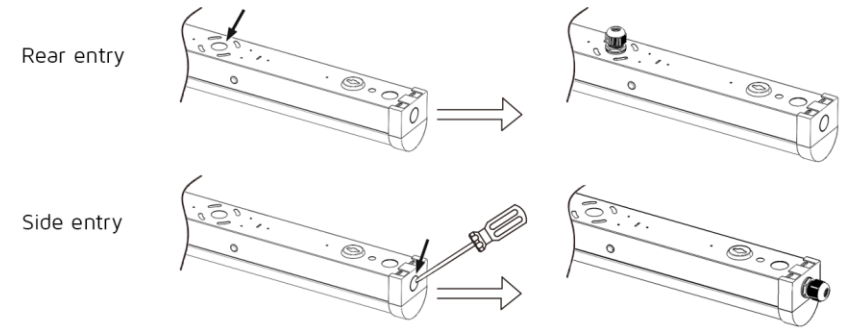


Replaceable control gear by professional

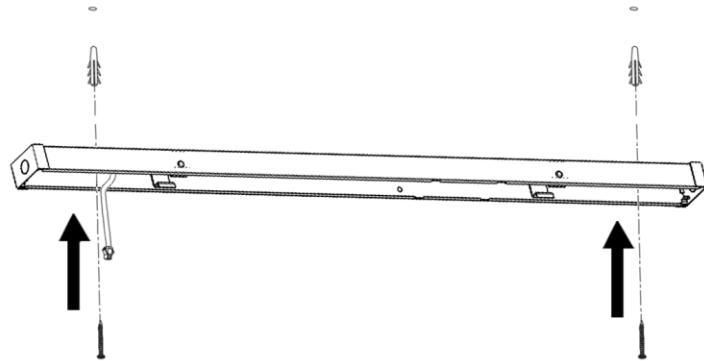
Step 1: Carefully remove the LED Batten from the packaging. Press the clips on the luminaire housing to remove the diffuser.



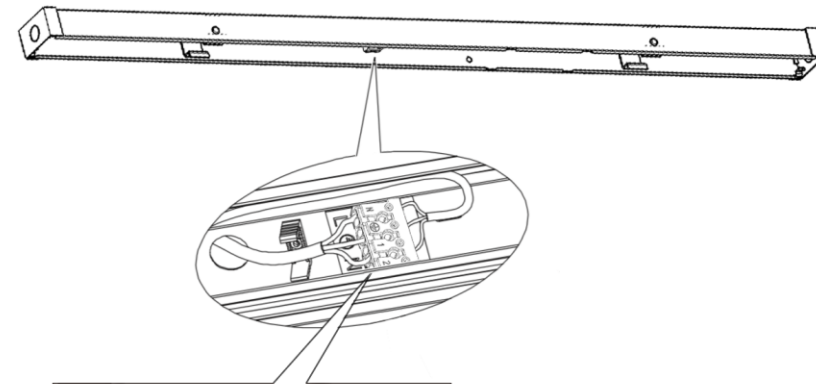
Step 2: Pop out the required cable entry hole and fix the cable gland supplied if required.



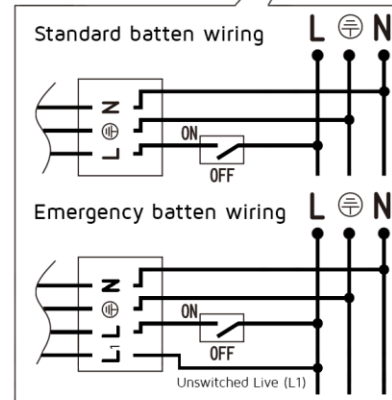
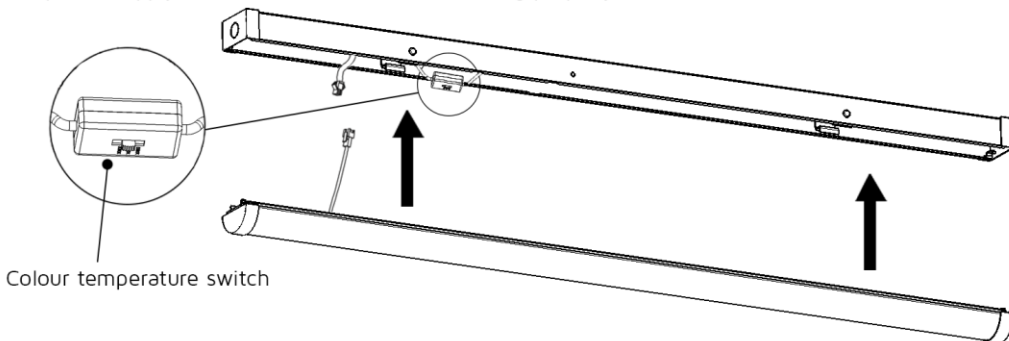
Step 3: Fix the LED Batten onto a mounting surface as per the illustration below.



Step 4: Wire the cable into the terminal block inside the luminaire housing.



Step 5: Select colour temperature, then replace the diffuser and ensure it has clicked into place. Turn on the power supply to ensure the luminaire is working properly.



Important Battery Warranty information

The Battery has a 1 Year Warranty. To claim, you must provide the product part number and date of manufacture, which can be found on the label attached to the Luminaire housing along with the original purchase invoice.

Safety Information

>All electrical work must be undertaken by a qualified contractor to ensure compliance with latest edition BS7671 and IEE/IET wiring regulations.

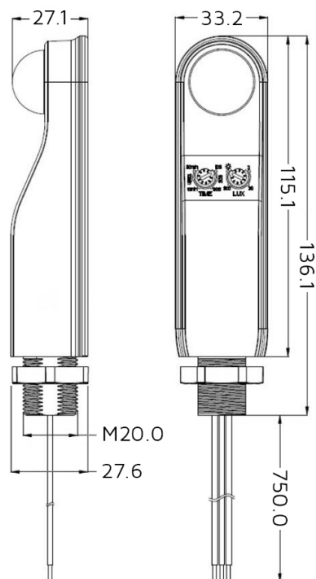
> Before installing the Motion Sensor or doing any maintenance, ensure power supply is turned off at the circuit breaker or fuse box.

> This product is designed for permanent connection to fixed wiring; the circuit should be protected with the appropriate MCB or fuse.

Environment

>Please DO NOT dispose of electrical items or packaging as unsorted waste. Use the recycling facilities provided by your local authorities.

PRODUCT DIMENSIONS



All units are in mm

Important Warranty Information

The Motion Sensor has a 5 year warranty.

To claim, you must provide the product part number and date of manufacture, which can be found on the label attached to the sensor housing along with the original purchase invoice.



Certificate No. FS 571788



Certificate No. EMS 571787

NET LED Ltd.
Buckingway Business Park
300 Anderson Road
Cambridge
CB24 4UQ
sales@netled.co.uk
www.netled.co.uk

Technical Helpline: 01223 851505
Email: support@netled.co.uk

www.netled.co.uk/downloads

Distributed by

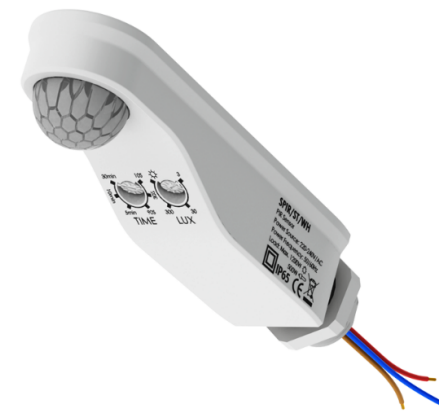


MOTION AND PHOTOCCELL SENSOR INSTALLATION GUIDE

SPIR INFRARED MOTION SENSOR NET-51-11-01

KEY DATA

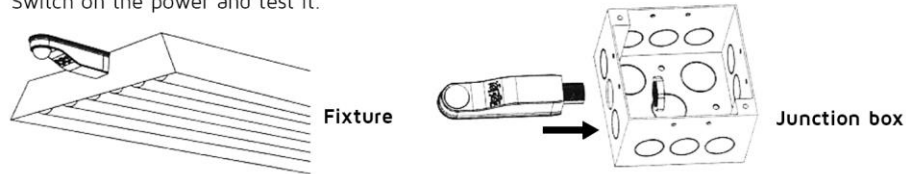
Input Voltage AC	220-240V
Power Frequency	50/60Hz
Ambient Light	<3-2000 Lux (Adjustable)
Maximum Detection Distance	10m
Detection Angle	360°
Operating Temp.	-20°C to +40°C
Duration	10 sec - 30 min
Installation height	2-6m
IP Rating	IP65
Manufacturer	Sealite Co. Ltd



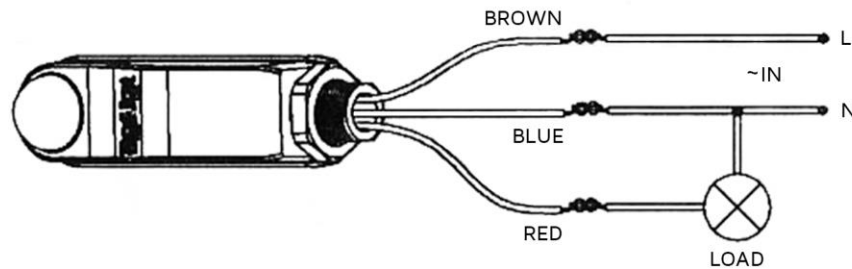
Installation procedure: Carefully read the instructions and ensure the mains supply is isolated before installation. Please follow the safety information overleaf before carrying out any installation. Please retain this leaflet for future reference.

INSTALLATION: (see the diagram)

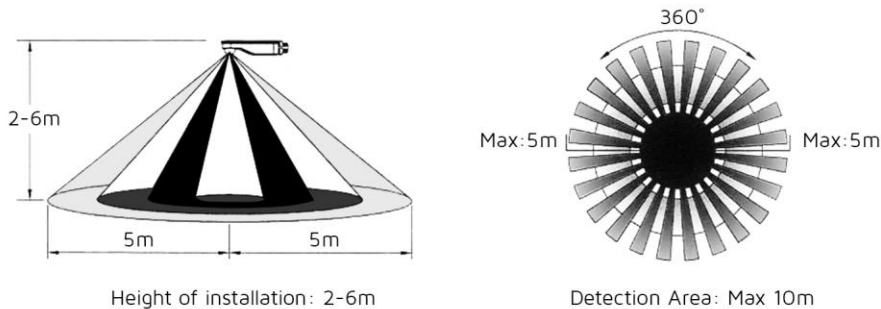
- Switch off the power.
- Connecting the power and the load to sensor as per the wiring diagram.
- Switch on the power and test it.



WIRING DIAGRAM:

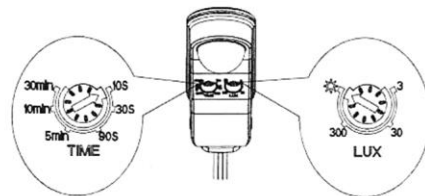


SENSOR INFORMATION:



TEST:

- Turn the TIME knob anti-clockwise on the minimum (10s). Turn the LUX knob clockwise on the maximum (sun).



- Switch on the power; the sensor and its connected lamp will have no signal at the beginning. After Warm-up 30sec, the sensor will start working. If the sensor receives the induction signal, the lamp will turn on. While there is no induction signal, the load should stop working within 10sec±3sec and the lamp would turn off.
- Turn LUX knob anti-clockwise on the minimum (3). If the ambient light is more than 3LUX, the sensor will not work and the lamp will stop working. If the ambient light is less than 3LUX (darkness), the sensor will work. Under no induction, the sensor should stop working within 10sec±3sec.

Note: when testing in daylight, please turn Lux knob to ☀ (SUN) position, otherwise the sensor may not work!

NOTES:

- Electrician or experienced person can install it.
- Can not be installed on an uneven or shaky surface.
- In front of the sensor there shouldn't be obstructive objects affecting detection.
- For your safety, please don't open the case if you find a hitch after installation.
- In order to avoid the unexpected damage of the product, please add a safe device of 6A current when installing microwave sensor, for example, fuse, safe tube etc.

SOME PROBLEMS AND SOLUTIONS:

- The load doesn't work:
 - Check the power and the load.
 - Whether the indicator light is turned on after sensing? If yes, please check load.
 - If the indicator light is not on after sensing, please check if the working light corresponds to the ambient light.
 - Please check if the working voltage corresponds to the power source.
- The sensitivity is poor:
 - Please check in front of the sensor that there aren't any obstructive objects that affect the receipt of signals.
 - Please check if the signal source is in the detection fields.
 - Please check the installation height.
- The sensor can't shut off the load automatically:
 - If there are continual signals in the detection fields.
 - If the time delay is set to the longest.
 - If the power corresponds to the instruction.



Non-replacable control gear

