

Safety Information

>All electrical work must be undertaken by a qualified contractor to ensure compliance with latest edition BS 7671 and IEE/IET wiring regulations.

>Before installing an LED Batten or doing an maintenance, ensure power supply is turned off at the circuit breaker or fuse box.

>This product is designed for permanent connection to fixed wiring; the circuit should be protected with the appropriate MCB or fuse.

Environment

>Please DO NOT dispose of electrical items or packaging as unsorted waste. Use the recycling facilities provided by your local authorities.

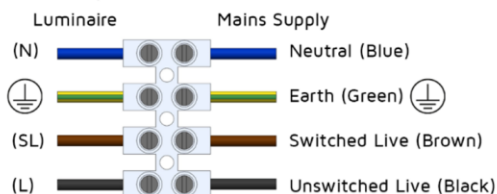
SUPPLY/EARTH CLASS

220-240V AC 50/60 Hz

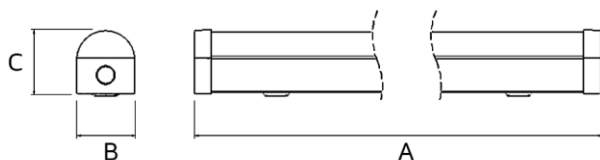


Class I

Fig.1 Mains Input Termination



PRODUCT DIMENSIONS



Size (ft)	A	B	C
2	600	63	73
4	1200	63	73
5	1500	63	73
6	1800	63	73

All units are in mm

Important Warranty Information

The LED Batten has a 3 year warranty, which can be extended free of charge to 5 years by registering online via the website address below. The registrant must provide the product part number and date of manufacture, which can be found on the label attached to the luminaire housing.



Certificate No. FS 590684



Certificate No. EMS 590685

NET LED Lighting
Buckway Business Park
300 Anderson Road
Cambridge
CB24 4UQ
sales@netled.co.uk
www.netled.co.uk

Technical Helpline: 01223 851505
Email: support@netled.co.uk

www.netled.co.uk/downloads

Distributed by



FOXTON LED BATTEN INSTALLATION GUIDE

Part Number	Description
NET-41-11-68	2ft 10W Batten - Standard
NET-41-11-69	2ft 10W Batten - Emergency
NET-41-11-91	4ft 20W Batten - Standard
NET-41-11-92	4ft 20W Batten - Emergency
NET-41-12-92	4ft 20W Batten - Self Test EMG
NET-41-11-08	4ft 20W Batten - Dimmable
NET-41-11-09	4ft 20W Batten - Dimmable EMG
NET-41-11-93	5ft 25W Batten - Standard
NET-41-11-94	5ft 25W Batten - Emergency
NET-41-12-94	5ft 25W Batten - Self Test EMG
NET-41-11-06	5ft 25W Batten - Dimmable
NET-41-11-07	5ft 25W Batten - Dimmable EMG
NET-41-11-96	5ft 50W Batten - Standard
NET-41-11-95	5ft 50W Batten - Emergency
NET-41-12-95	5ft 50W Batten - Self Test EMG
NET-41-11-13	5ft 50W Batten - Dimmable
NET-41-11-14	5ft 50W Batten - Dimmable EMG
NET-41-11-97	6ft 35W Batten - Standard
NET-41-11-98	6ft 35W Batten - Emergency
NET-41-12-98	6ft 35W Batten - Self Test EMG
NET-41-11-15	6ft 35W Batten - Dimmable
NET-41-11-16	6ft 35W Batten - Dimmable EMG
NET-41-11-10	6ft 75W Batten - Standard
NET-41-11-99	6ft 75W Batten - Emergency
NET-41-12-99	6ft 75W Batten - Self Test EMG
NET-41-11-17	6ft 75W Batten - Dimmable
NET-41-11-18	6ft 75W Batten - Dimmable EMG



Installation procedure: Carefully read the installation instructions and ensure the mains supply is isolated before installation. Please read the safety information overleaf before carrying out any installation. Please retain the leaflet for future reference.

LED Batten Installation:

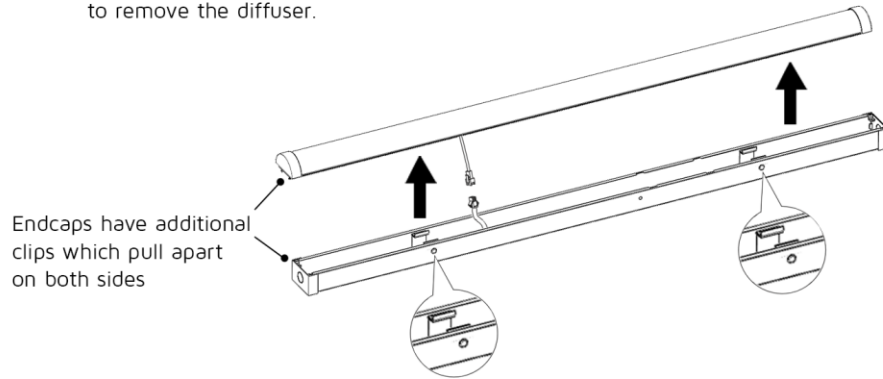


Replaceable light source by end-user



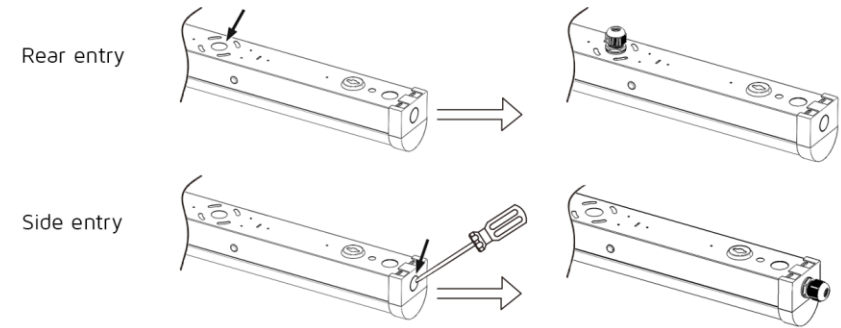
Replaceable control gear by professional

Step 1: Carefully remove the LED Batten from the packaging. Press the clips on the luminaire housing to remove the diffuser.

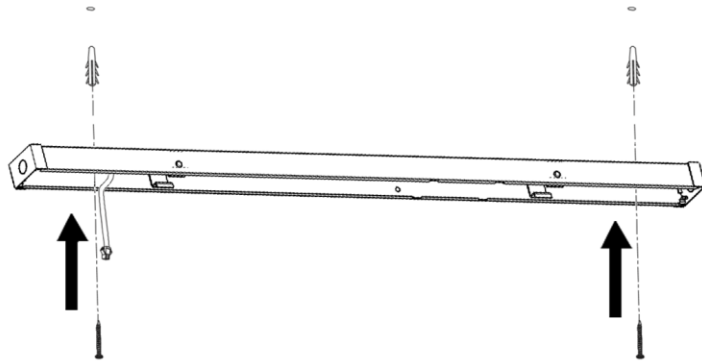


Endcaps have additional clips which pull apart on both sides

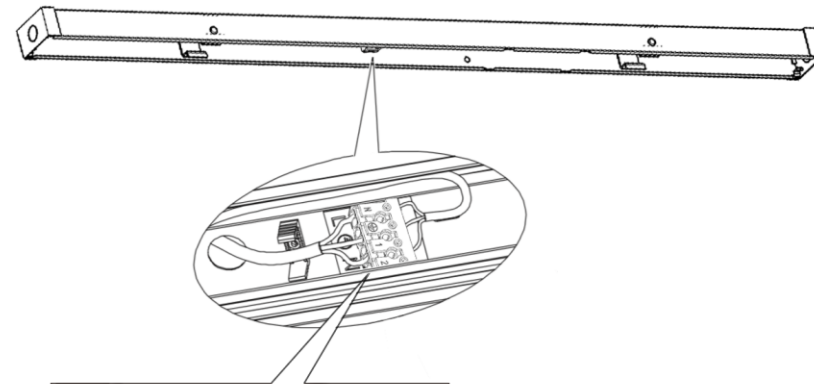
Step 2: Pop out the required cable entry hole and fix the cable gland supplied if required.



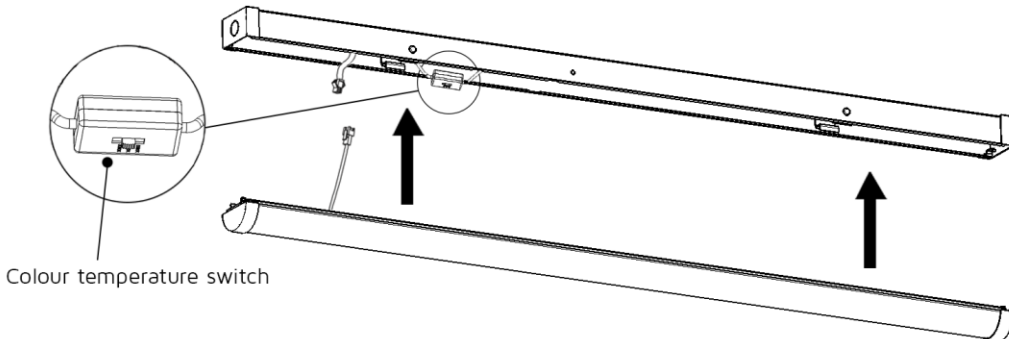
Step 3: Fix the LED Batten onto a mounting surface as per the illustration below.



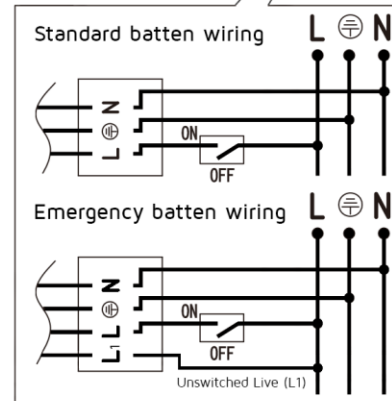
Step 4: Wire the cable into the terminal block inside the luminaire housing.



Step 5: Select colour temperature, then replace the diffuser and ensure it has clicked into place. Turn on the power supply to ensure the luminaire is working properly.



Colour temperature switch



Important Battery Warranty information

The Battery has a 1 Year Warranty. To claim, you must provide the product part number and date of manufacture, which can be found on the label attached to the Luminaire housing along with the original purchase invoice.

