

Safety Information

>All electrical work must be undertaken by a qualified contractor to ensure compliance with latest edition BS7671 and IEE/IET wiring regulations.

> Before installing the LED Tri-colour Downlight or doing any maintenance, ensure power supply is turned off at the circuit breaker or fuse box.

> This product is designed for permanent connection to fixed wiring; the circuit should be protected with the appropriate MCB or fuse.

Environment

>Please DO NOT dispose of electrical items or packaging as unsorted waste. Use the recycling facilities provided by your local authorities.

Important Warranty Information

The LED Tri-colour Downlight has a 3 year warranty, which can be extended free of charge to 5 years by registering online via the website address below. The registrant must provide the product part number and date of manufacture, which can be found on the label attached to the luminaire housing.



Certificate No. FS 590684



Certificate No. EMS 590685

NET LED Lighting
Buckingway Business Park
300 Anderson Road
Cambridge
CB24 4UQ
sales@netled.co.uk
www.netled.co.uk

Technical Helpline: 01223 851505
Email: support@netled.co.uk

www.netled.co.uk/downloads

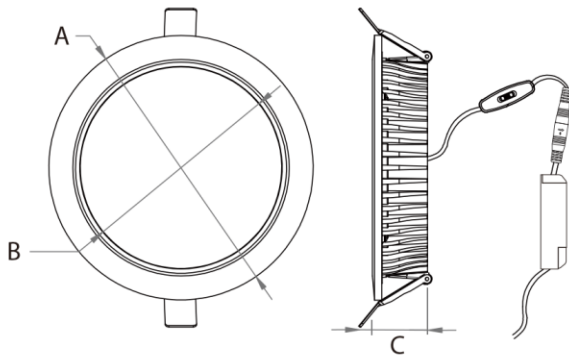
Distributed by



CAXTON LED DOWNLIGHT INSTALLATION GUIDE

Part Number	Description
NET-49-05-70	Standard 3"
NET-49-05-71	Emergency 3"
NET-49-05-72	Standard 4"
NET-49-05-77	Emergency 4"
NET-49-05-74	Standard 6"
NET-49-05-82	Emergency 6"
NET-49-05-84	Dimmable 6"
NET-49-05-86	Dimmable Emergency 6"
NET-49-05-76	Standard 8"
NET-49-05-87	Emergency 8"
NET-49-05-88	Dimmable 8"
NET-49-05-89	Dimmable Emergency 8"

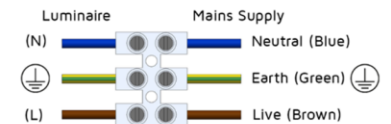
PRODUCT DIMENSIONS



Size(Inch)	A	B	C
3	110mm	90mm	45mm
4	140mm	120mm	45mm
6	190mm	165mm	45mm
8	228mm	200mm	45mm

SUPPLY/EARTH CLASS

Driver
220-240V AC 50/60 Hz
Fig.1 Mains Input Termination



Luminaire
36-42V DC
Fig2. Twist Lock Connectors



Class III



Installation procedure: Carefully read the instructions and ensure the mains supply is isolated before installation. Please follow the safety information overleaf before carrying out any installation. When installing, leave a space of at least 1.2m between the LED Downlight and any heating source/air conditioning unit. Please retain this leaflet for future reference.

LED Downlight Installation:

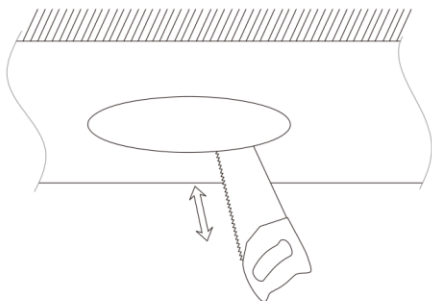


Replaceable light source by end-user



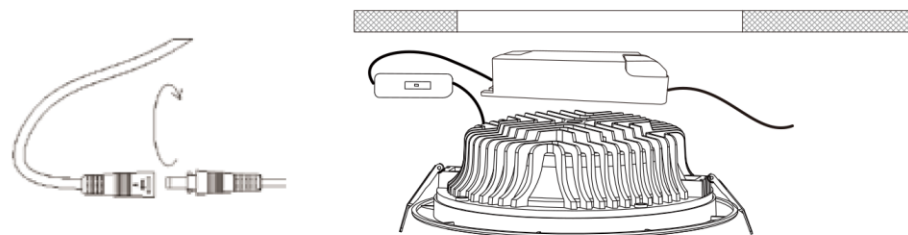
Replaceable control gear by professional

Step 1: Isolate mains power supply before starting any installation. Cut out a mounting hole in the ceiling as per dimensions in the table below.

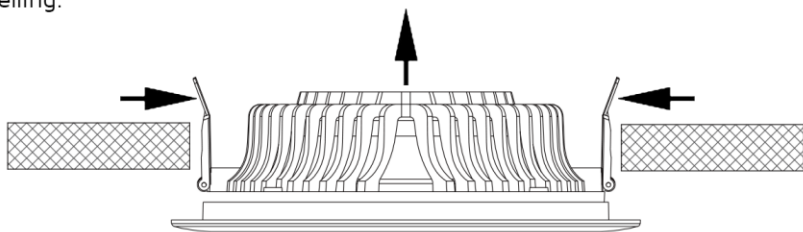


Downlight	Cut-out
3 inch	Ø90-100mm
4 inch	Ø120-130mm
6 inch	Ø165-175mm
8 inch	Ø200-210mm

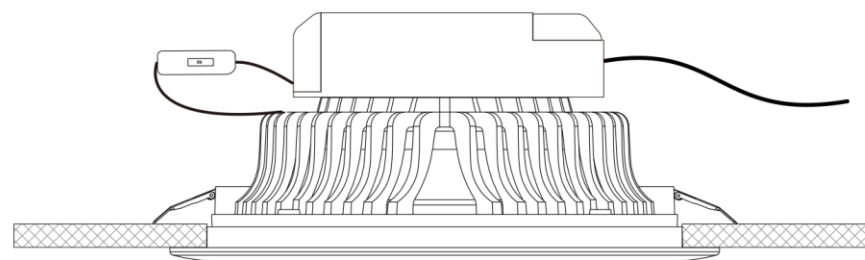
Step 2: Connect the Downlight and Driver using the inter-locking connectors. Select colour temperature on switch. Wire the LED driver to the mains supply junction box.



Step 3: Press clasp springs back and push downlight body into the aperture until it's fixed in the ceiling.



Step 4: Switch on the mains supply to test the Downlight for correct operation.



Optional additional products: A number of additional compatible products are available.

Other products from NET LED Lighting: Full range available at www.netled.co.uk.

3 Hour emergency Kits

LED Downlights are compatible with our 3 Hour Emergency Kits. Units maintain compatible Downlights

Emergency kits available for the 3", 4", 6" & 8" Downlights

Full specifications are available on request or at www.netled.co.uk



Dimming accessories

We can supply DALI and 1-10V dimming accessories.

Dimmable drivers available for the 6" & 8" Downlights.

Full specifications are available on request or at www.netled.co.uk

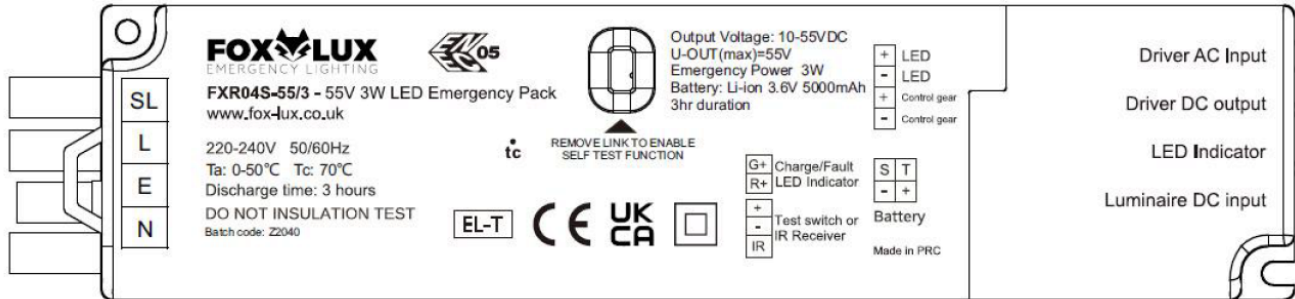


For wiring diagram, please view the QR code above.

FXR04S LED EMERGENCY CONVERSION REMOTE PACK

Thank you for purchasing our FXR04S LED Emergency Conversion Pack. Our products have been designed according to the relevant standards. If installed and maintained correctly they will provide a long service life.

BS EN 60598-1 / BS EN 60598-2-22 / BS EN 50172 / BS EN 1838 / BS EN 62034 / ISO 7010 / ISO 3864



This is a self-test emergency conversion pack. When the self-test system is active, a functional test is carried out automatically once a week and runs for 30seconds. A full duration test is carried out automatically every 52 weeks. The first full duration test is carried out automatically within the first 4 weeks of being connected to mains supply.

NOTE: If the self-test function is disabled, testing must be carried out by a competent person according to BS EN 50172:2004.



Remote Emergency Conversion Pack Specification

Rated supply voltage	220-240V AC
Mains frequency	50 / 60Hz
Max. power consumption	5W during charging
Standby power	< 0.8W
Emergency output power	3W constant power
LED forward voltage range	10-50V DC
Max. output voltage	55V DC
Emergency duration	3 hours
Battery charging time	up to 16 hours
Max. ambient temp.	25°C
Max. battery temp.	60°C
Insulation class	II
Dimensions (h x w x l)	25 x 55 x 223mm
Battery	18650 Li-ion 3.6V 5.0Ah

**The self-test function is disabled by default. If self-test is required, please remove the jumper located on the pack.

FXR04S LED EMERGENCY CONVERSION REMOTE PACK LED STATUS INDICATIONS

GREEN LED	RED LED	STATUS
ON	OFF	OK
1Hz FLASH	OFF	Charging
OFF	ON	Battery disconnected / Duration test fail
2Hz FLASH	OFF	Function / Duration test in progress
OFF	2Hz FLASH	Battery temperature fault
OFF	1Hz FLASH	Light source fault
0.5Hz FLASH ONCE		LED indicator response (except for BAT check and AST check)*

Battery status - emergency lighting duration (button BAT CHK on remote control REM10)*		
0.5Hz single flash		≥3.5h
0.5Hz double flash		3.25 to 3.5hrs
0.5Hz triple flash		3.0 to 3.25hrs
0.5Hz quadruple flash		Test not completed*

*First duration test hasn't been completed.

Self-test function status (button AST CHK on remote control REM10)*		
0.5Hz single flash		Self-test is enabled
0.5Hz double flash		Self-test is disabled

***NOTE:** If remote control facility is required it is necessary to add the infrared receiver IR/R.
Please contact Fox Lux for more information

- Slow flash = 0.5Hz (once/2 seconds)
- Normal flash = 1Hz (once/second)
- Fast flash = 2Hz (twice/second)

INSTALLATION GUIDE

1. Isolate Supply

Ensure that the mains supply is switched off before installing, maintaining or servicing the emergency luminaire.

2. Mains Connection

Standard

Dimmable

3. Enter Installation Date

4. Connections

A

1. Connect cable A to primary side of the LED driver

B

2. Connect connector B to secondary side of the LED driver

C

3. Connect connector C to LED module

*Note: if plug & play connectors provided are not suitable please disconnect battery before replacing the connectors. Then reconnect again.

5. LED Indicator Installation

Cut-out 22mm

6. Plug In Power Input Connector

7. Self-test Function

Remove link to enable self-test function

8. Restore Supply