

### Safety Information

> All electrical work must be undertaken by a qualified contractor to ensure compliance with latest edition BS 7671 and IEE/IET wiring regulations.

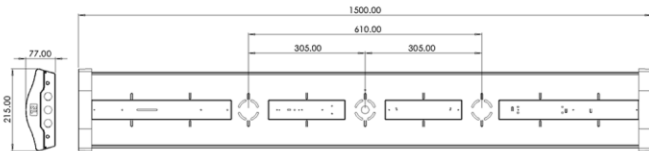
> Before installing a LED Cambridge Linear or doing any maintenance, ensure power supply is turned off at the circuit breaker or fuse box.

> This product is designed for permanent connection to fixed wiring; the circuit should be protected with the appropriate MCB of fuse.

### Environment

> Please Do NOT dispose of electrical items or packaging as unsorted waste, use the recycling facilities provided by your local authorities.

### PRODUCT DIMENSIONS



### Important Warranty Information

The LED Cambridge Linear has a 3 year warranty, which can be extended free of charge to 5 years by registering online via the website address below. The registrant must provide the product part number and date of manufacture, which can be found on the label attached to the luminaire housing.



Certificate No. FS 590684



Certificate No. EMS 590685

NET LED Lighting  
Buckingway Business Park  
300 Anderson Road  
Cambridge  
CB24 4UQ  
sales@netled.co.uk  
www.netled.co.uk

Technical Helpline: 01223 851505  
Email: support@netled.co.uk

www.netled.co.uk/downloads

Distributed by



### CAMBRIDGE LINEAR INSTALLATION GUIDE

Part Number	Description
NET-51-11-65	Standard 38W/50W
NET-51-11-67	Emergency 38W/50W
NET-51-11-68	Self Test Emergency 38W/50W
NET-51-11-70	Dimmable 50W
NET-51-11-72	Dimmable Emergency 50W



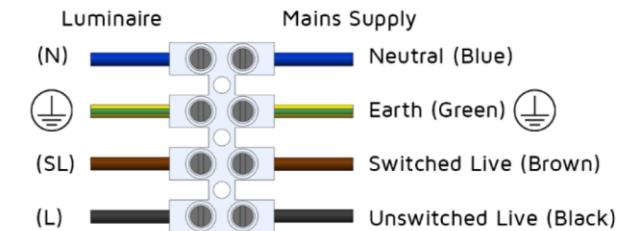
### SUPPLY/EARTH CLASS

220-240V AC 50/60 Hz

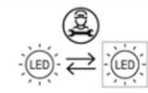
Fig.1 Mains Input Termination



Class I



**Installation procedure:** Carefully read the installation instructions and ensure the mains supply is isolated before installation. Please follow the safety information overleaf before carrying out any installation. Please retain this leaflet for future reference.

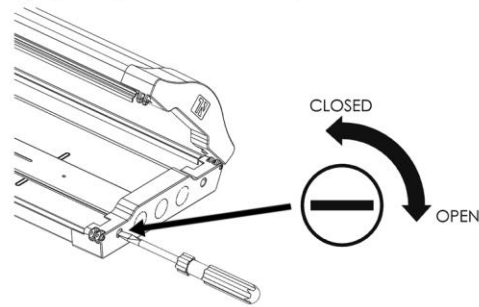


Replaceable (LED only) light source by a professional

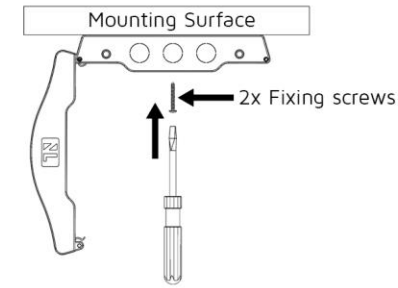


Replaceable control gear by professional

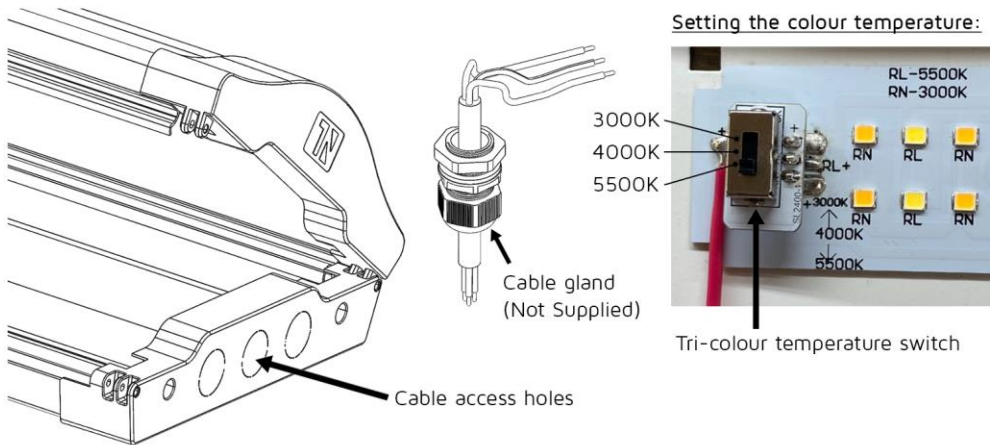
**Step 1:** Carefully remove the fitting from the packaging. Using a flat screwdriver, rotate the retention clip into the open position to release the diffuser.



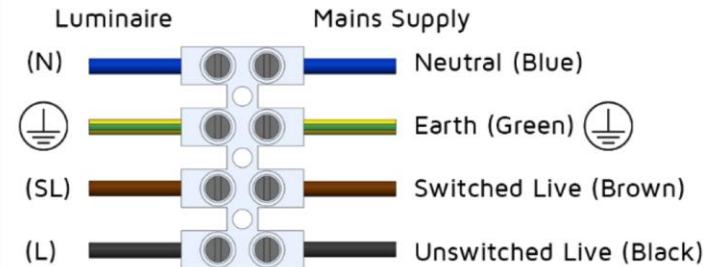
**Step 2:** Select the mounting points most suitable for the surface. Mount the fitting onto the mounting surface.



**Step 3:** For side cable entry, drill out the 20mm cable gland position, then secure the cable with a Cable Gland. For rear cable entry, select one of the three pre-cut cable access holes. Select the colour temperature on the Tri-colour switch.

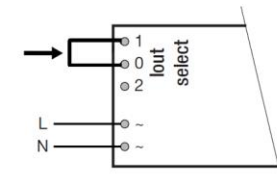


**Step 4a:** Connect the input wires according to wiring diagram below.



**Setting the wattage:**

As standard, the Tridonic driver is set to 38W. To operate the Tridonic driver at 50W, remove the 1-0 link wire.



**Step 4b:** Dimmable & Dimmable Emergency wiring.



For Dimmable and Dimmable Emergency, please refer to the above QR Code for wiring instructions.

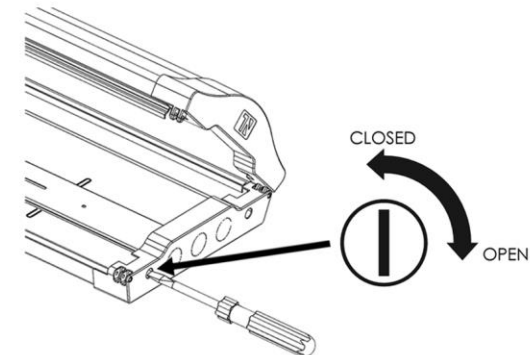
Ensure that the Emergency Test Record is completed.

**NET LED LIGHTING**

Part Number:	Installation Date:									
Luminaire Ref/Location	In case of difficulty, contact the Installation Engineers: Tel: _____									
Full Recharge Time 24 Hours: _____	Duration 3 Hours: _____ Lamp Type - LED									
ROUTINE TEST RECORD										
Monthly Test	Year 1		Year 2		Year 3		Year 4		Year 5	
	Signed	Date	Signed	Date	Signed	Date	Signed	Date	Signed	Date
Functional										
Functional										
Functional										
Functional										
One Hour										
Functional										
Functional										
Functional										
Functional										
Three Hour										

Example of Emergency Test Report

**Step 5:** Select the colour temperature on the switch. Close the diffuser, then using a flat screwdriver, rotate the retention clip into the closed position to lock the diffuser.



### Safety Information

>All electrical work must be undertaken by a qualified contractor to ensure compliance with latest edition BS7671 and IEE/IET wiring regulations.

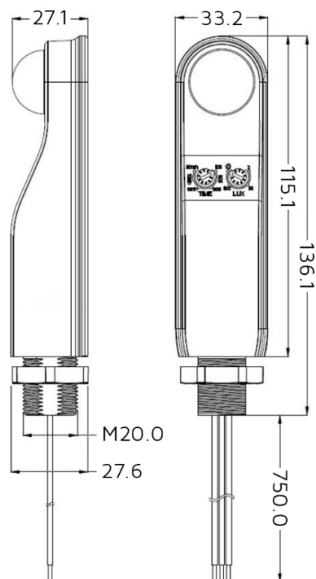
> Before installing the Motion Sensor or doing any maintenance, ensure power supply is turned off at the circuit breaker or fuse box.

> This product is designed for permanent connection to fixed wiring; the circuit should be protected with the appropriate MCB or fuse.

### Environment

>Please DO NOT dispose of electrical items or packaging as unsorted waste. Use the recycling facilities provided by your local authorities.

### PRODUCT DIMENSIONS



All units are in mm

### Important Warranty Information

The Motion Sensor has a 5 year warranty.

To claim, you must provide the product part number and date of manufacture, which can be found on the label attached to the sensor housing along with the original purchase invoice.



Certificate No. FS 571788



Certificate No. EMS 571787

NET LED Ltd.  
Buckingway Business Park  
300 Anderson Road  
Cambridge  
CB24 4UQ  
sales@netled.co.uk  
www.netled.co.uk

Technical Helpline: 01223 851505  
Email: support@netled.co.uk

[www.netled.co.uk/downloads](http://www.netled.co.uk/downloads)

Distributed by

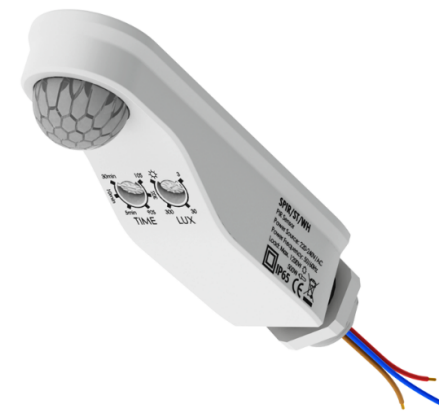


## MOTION AND PHOTOCELL SENSOR INSTALLATION GUIDE

### SPiR INFRARED MOTION SENSOR NET-51-11-01

#### KEY DATA

Input Voltage AC	220-240V
Power Frequency	50/60Hz
Ambient Light	<3-2000 Lux (Adjustable)
Maximum Detection Distance	10m
Detection Angle	360°
Operating Temp.	-20°C to +40°C
Duration	10 sec - 30 min
Installation height	2-6m
IP Rating	IP65
Manufacturer	Sealite Co. Ltd

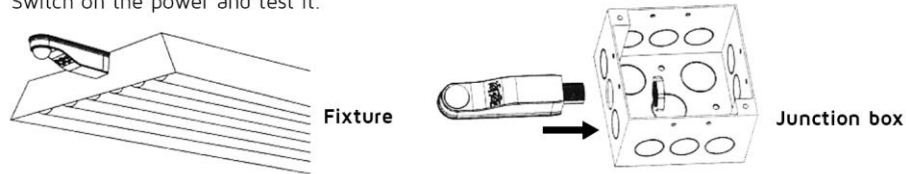




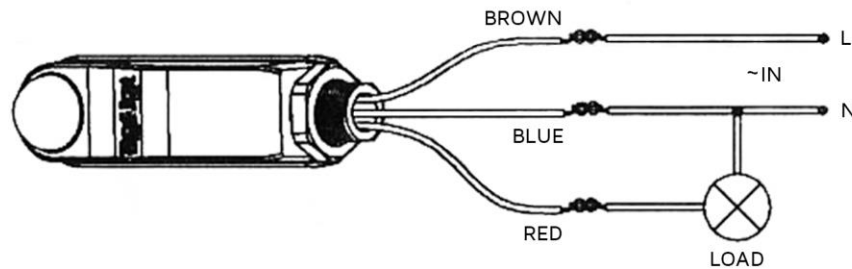
Installation procedure: Carefully read the instructions and ensure the mains supply is isolated before installation. Please follow the safety information overleaf before carrying out any installation. Please retain this leaflet for future reference.

### INSTALLATION: (see the diagram)

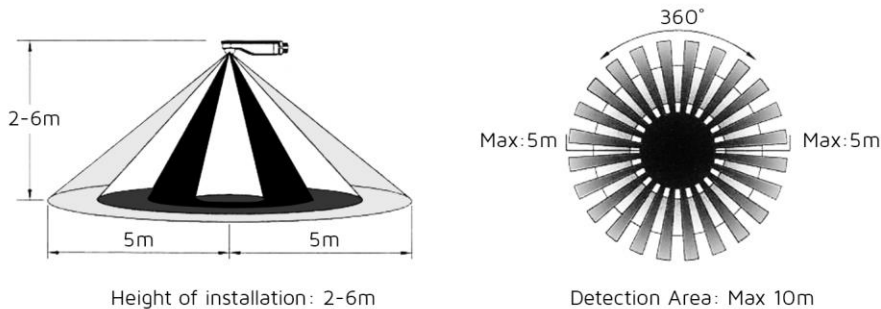
- Switch off the power.
- Connecting the power and the load to sensor as per the wiring diagram.
- Switch on the power and test it.



### WIRING DIAGRAM:

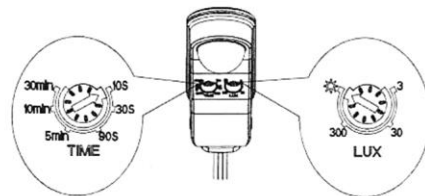


### SENSOR INFORMATION:



### TEST:

- Turn the TIME knob anti-clockwise on the minimum (10s). Turn the LUX knob clockwise on the maximum (sun).



- Switch on the power; the sensor and its connected lamp will have no signal at the beginning. After Warm-up 30sec, the sensor will start working. If the sensor receives the induction signal, the lamp will turn on. While there is no induction signal, the load should stop working within 10sec±3sec and the lamp would turn off.
- Turn LUX knob anti-clockwise on the minimum (3). If the ambient light is more than 3LUX, the sensor will not work and the lamp will stop working. If the ambient light is less than 3LUX (darkness), the sensor will work. Under no induction, the sensor should stop working within 10sec±3sec.

**Note: when testing in daylight, please turn Lux knob to ☀ (SUN) position, otherwise the sensor may not work!**

### NOTES:

- Electrician or experienced person can install it.
- Can not be installed on an uneven or shaky surface.
- In front of the sensor there shouldn't be obstructive objects affecting detection.
- For your safety, please don't open the case if you find a hitch after installation.
- In order to avoid the unexpected damage of the product, please add a safe device of 6A current when installing microwave sensor, for example, fuse, safe tube etc.

### SOME PROBLEMS AND SOLUTIONS:

- The load doesn't work:
  - a. Check the power and the load.
  - b. Whether the indicator light is turned on after sensing? If yes, please check load.
  - c. If the indicator light is not on after sensing, please check if the working light corresponds to the ambient light.
  - d. Please check if the working voltage corresponds to the power source.
- The sensitivity is poor:
  - a. Please check in front of the sensor that there aren't any obstructive objects that affect the receipt of signals.
  - b. Please check if the signal source is in the detection fields.
  - c. Please check the installation height.
- The sensor can't shut off the load automatically:
  - a. If there are continual signals in the detection fields.
  - b. If the time delay is set to the longest.
  - c. If the power corresponds to the instruction.



