

Safety Information

> All electrical work must be undertaken by a qualified contractor to ensure compliance with latest edition BS 7671 and IEE/IET wiring regulations.

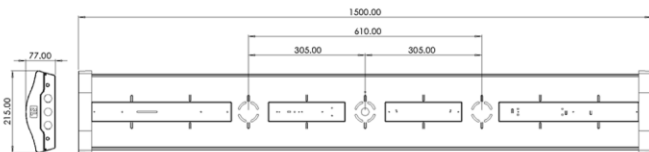
> Before installing a LED Cambridge Linear or doing any maintenance, ensure power supply is turned off at the circuit breaker or fuse box.

> This product is designed for permanent connection to fixed wiring; the circuit should be protected with the appropriate MCB of fuse.

Environment

> Please Do NOT dispose of electrical items or packaging as unsorted waste, use the recycling facilities provided by your local authorities.

PRODUCT DIMENSIONS



Important Warranty Information

The LED Cambridge Linear has a 3 year warranty, which can be extended free of charge to 5 years by registering online via the website address below. The registrant must provide the product part number and date of manufacture, which can be found on the label attached to the luminaire housing.



Certificate No. FS 590684



Certificate No. EMS 590685

NET LED Lighting
Buckingway Business Park
300 Anderson Road
Cambridge
CB24 4UQ
sales@netled.co.uk
www.netled.co.uk

Technical Helpline: 01223 851505
Email: support@netled.co.uk

www.netled.co.uk/downloads

Distributed by



CAMBRIDGE LINEAR INSTALLATION GUIDE

Part Number	Description
NET-51-11-65	Standard 38W/50W
NET-51-11-67	Emergency 38W/50W
NET-51-11-68	Self Test Emergency 38W/50W
NET-51-11-70	Dimmable 50W
NET-51-11-72	Dimmable Emergency 50W



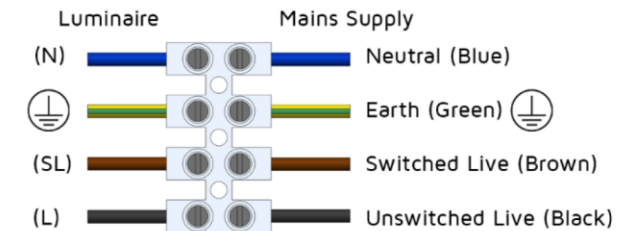
SUPPLY/EARTH CLASS

220-240V AC 50/60 Hz

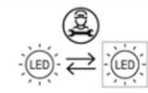
Fig.1 Mains Input Termination



Class I



Installation procedure: Carefully read the installation instructions and ensure the mains supply is isolated before installation. Please follow the safety information overleaf before carrying out any installation. Please retain this leaflet for future reference.

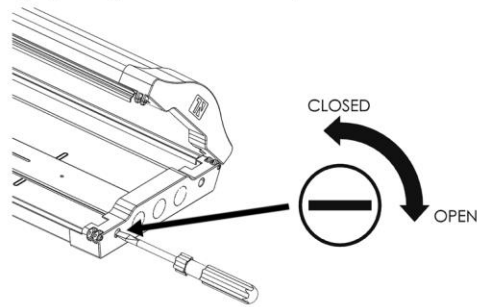


Replaceable (LED only) light source by a professional

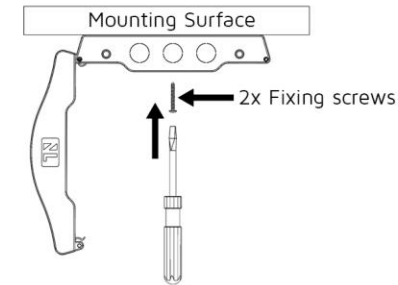


Replaceable control gear by professional

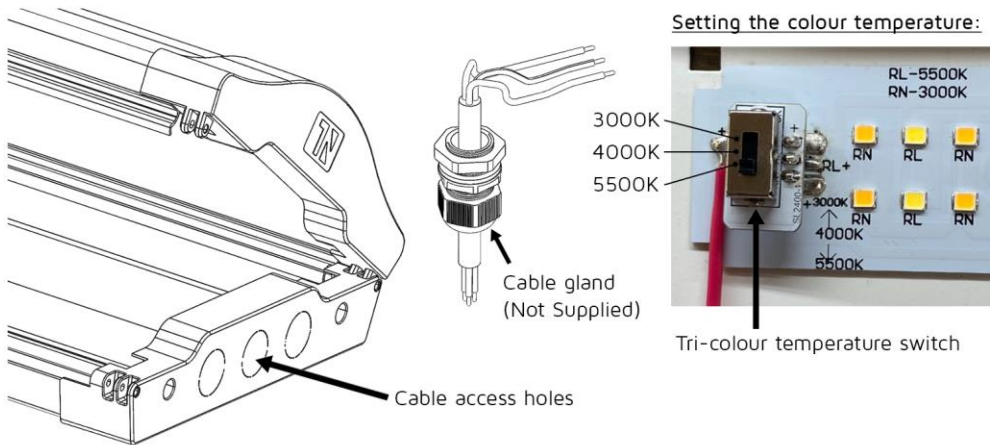
Step 1: Carefully remove the fitting from the packaging. Using a flat screwdriver, rotate the retention clip into the open position to release the diffuser.



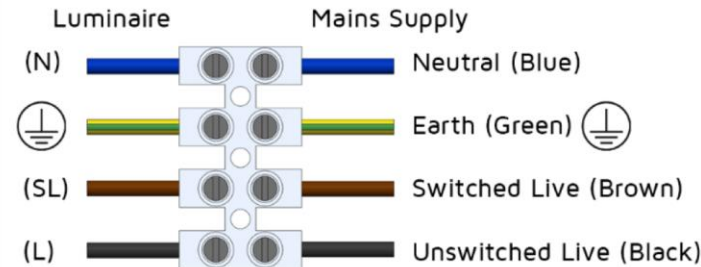
Step 2: Select the mounting points most suitable for the surface. Mount the fitting onto the mounting surface.



Step 3: For side cable entry, drill out the 20mm cable gland position, then secure the cable with a Cable Gland. For rear cable entry, select one of the three pre-cut cable access holes. Select the colour temperature on the Tri-colour switch.

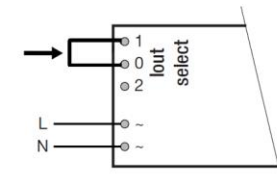


Step 4a: Connect the input wires according to wiring diagram below.



Setting the wattage:

As standard, the Tridonic driver is set to 38W. To operate the Tridonic driver at 50W, remove the 1-0 link wire.



Step 4b: Dimmable & Dimmable Emergency wiring.



For Dimmable and Dimmable Emergency, please refer to the above QR Code for wiring instructions.

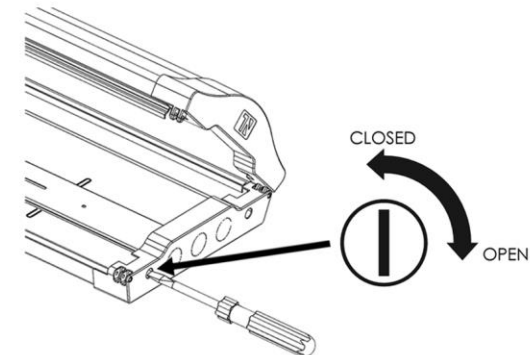
Ensure that the Emergency Test Record is completed.

NET LED LIGHTING

Part Number:	Installation Date:									
Luminaire Ref/Location	In case of difficulty, contact the Installation Engineers: Tel: _____									
Full Recharge Time 24 Hours: _____	Duration 3 hours: _____ Lamp Type - LED									
ROUTINE TEST RECORD										
Monthly Test	Year 1		Year 2		Year 3		Year 4		Year 5	
	Signed	Date	Signed	Date	Signed	Date	Signed	Date	Signed	Date
Functional										
Functional										
Functional										
Functional										
One Hour										
Functional										
Functional										
Functional										
Functional										
Three Hour										

Example of Emergency Test Report

Step 5: Select the colour temperature on the switch. Close the diffuser, then using a flat screwdriver, rotate the retention clip into the closed position to lock the diffuser.



Safety Information:

- The dimming cables should be run separately from the connections and mains cables to ensure good EMC conditions.

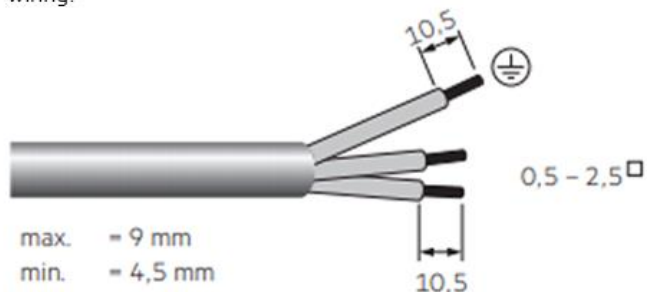
Wiring the plug-in terminal:

- Use solid wire or stranded wire with the correct cross-section
- Strip off correct length of insulation; you may need to twist the tool slightly
- If stranded wire is used: push onto the terminal from above to be able to insert the wire
- Insert the bare end into the terminal

Detaching the plug-in terminal:

- Push onto the terminal from above to release the wire
- Pull out the wire at the front

Mains supply wires
Stranded with or solid wire from
0.5 to 2.5mm² may be used for
wiring.



For more information regarding driver settings/options, please
access the QR code below:



Tridonic LCA PRE, LC EXC



Certificate No. FS 590684



Certificate No. EMS 590685

TRIDONIC

Dimming Driver
Installation Guide

Distributed by
NET LED
LIGHTING



NET LED Lighting
Buckway Business Park
300 Anderson Road
Cambridge
CB24 4UQ
sales@netled.co.uk
www.netled.co.uk

Technical Helpline: 01223 851505
Email: support@netled.co.uk

www.netled.co.uk/downloads
PRD-40-10-81

Installation procedure: Carefully read the installation instructions and ensure the mains supply is isolated before installation. Please follow the safety information overleaf before carrying out any installation. Please retain this leaflet for future reference.

DALI

Description:

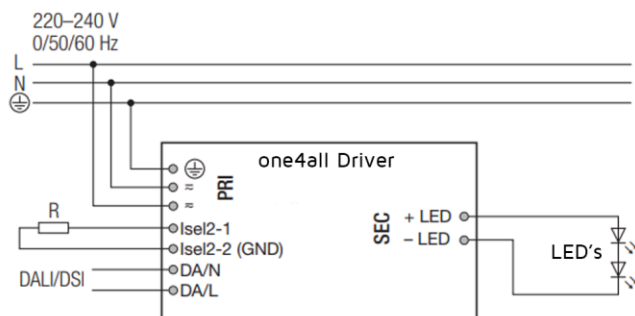
DALI (Digital Addressable Lighting Interface) is an interface protocol for digital communication between electronic lighting equipment.

DALI offers a lot of possibilities:

- DALI line: 64 LED Driver can be grouped to a line
- DALI groups: Every LED Driver can be attributed into 16 groups
- Addressability: All LED Driver are individually addressable
- Grouping: Possible without complicated rewiring
- Programmability: Individual programmability makes it possible to use functions which transcend the DALI standard
- Monitoring: Easily possible thanks to status feedback
- Wiring: Simple wiring with five pole standard cables and a cable length of max. 300 metres
- Wiring: Polarity-free control lines can be used for mains and control lines
- Wiring: Multiple wiring possibilities (star, series and mixed wiring)
- Unaffected by interruptions: All luminaires receive the same, unaffected digital signal and dimming level
- Similar light level from first to last luminaire.

Technical data of a DALI line:

- DALI voltage: 9.5V - 22.4V
- Maximum DALI system current: max. 250mA
- Data transfer rate: 1200 Baud
- Maximum line length: up to 300m (for 1.5mm²)



switchDIM/Push

Description:

With the switchDIM function it is possible to use the mains voltage as a control signal.

The phase of a standard mains voltage push button is connected to the terminal marked DA/L and the neutral conductor is connected to the terminal marked DA/N.

Using the function is easy and convenient:

- A short press (50-600 ms) switches the device on or off
- A long press (>600 ms) fades the connected operating device alternately up and down (between 1 and 100%)

The device has a switchDIM memory function. This is used, among other things, for storing the last dimming value in the event of interruptions in the power supply.

When power returns, the LED is automatically restored to its previous operating state and dimmed to the last value.

⚠ Caution!

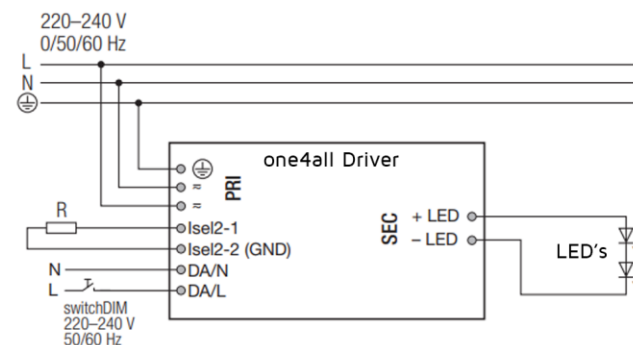
Glow switches are not approved for controlling switchDIM.

Glow switches may cause the LED Driver to spontaneously switch on or off or make sudden changes in the dimming value.

⚠ Caution!

A maximum number of 25 operating devices per switchDIM system should not be exceeded.

If you have more devices please use DALI.



SELF TEST EMERGENCY INSPECTION GUIDE

About:

Initial Test

Connect LED load, emergency module, battery and LED driver, then connect mains supply, this emergency conversion module will automatically start to do an initial test.

If the components are not functioning correctly, the LED indicator will flash RED. If everything is correct, then it will go into charge mode.

Functional Test

Functional tests are carried out for 10 seconds automatically every 30 calendar days.

Duration Test

Emergency conversion module will automatically make a full duration test every 180 calendar days to check capacity of battery.







Note

If the mains supply is off during the self-test period, emergency conversion module would terminate self-test immediately and go into emergency mode.

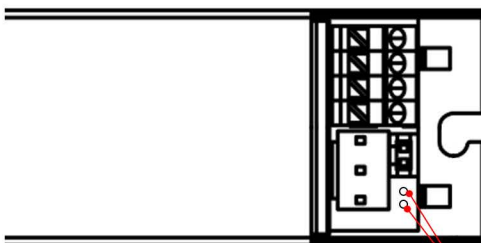
Timer reset functionality

The timer for function and duration test can be set to a particular time of the day by cycling the un-switched line supply 3 times within 1 minute.

LED STATUS INDICATOR

	Colour	LED indication	Status	Comment
	Green	Slow flashing green (3sec on, 1sec off)	Charging mode	
	Green	Permanent green	Fully Charged & Operational	
	Green	Fast flashing green (0.1sec on, 0.1sec off)	Function test underway	
	Green	Slow flashing green (1sec on, 1sec off)	Duration test underway	
	Red	Permanent red	Load failure	Open circuit / Short circuit / LED failure
	Red	Slow flashing red (1 sec on, 1 sec off)	Battery failure	Battery failed the duration test or function test / No battery

Reset instructions:



Reset points

If faulty status is triggered, the LED indicator will flash RED. To reset the emergency kit, touch the two reset points for 5-10seconds with a piece of wire, or a short-circuit needle.