

# KOBLE

[www.koblesigns.com](http://www.koblesigns.com)

## Bea Desk



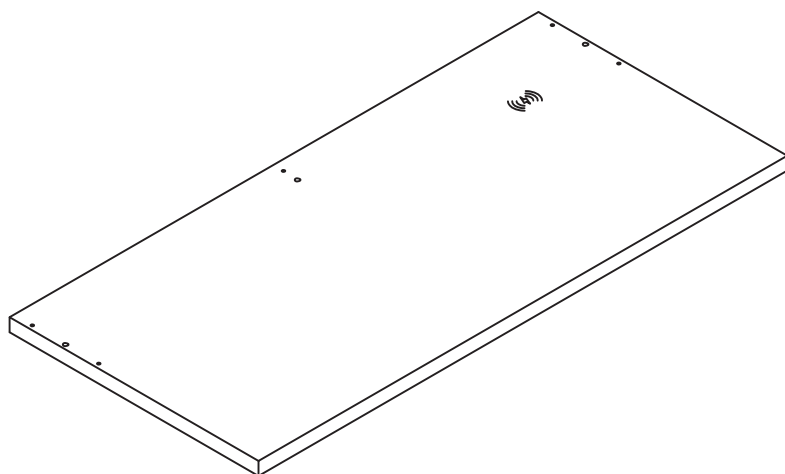
Thank you for purchasing the Bea Desk. In order to make the best use of this product and to use it safely, please read the manual carefully before use and keep it for future reference.

**STOCK Ref.: DOBEAO/DOBEAW/DOBEAB/DOBEAC**

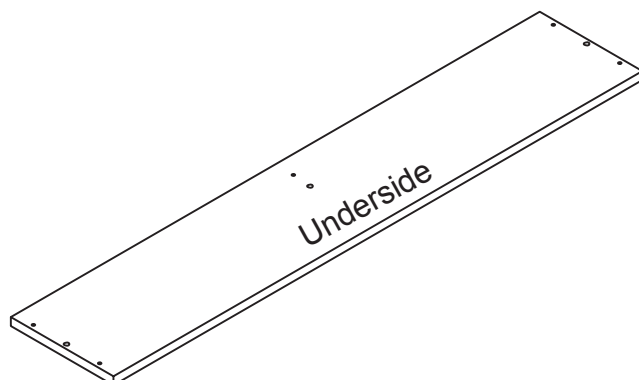
Imported By: Koble Designs (Justwise Group Ltd). CB11 3AP.

# Components-Parts

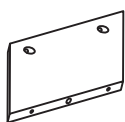
Please check you have all the parts listed below



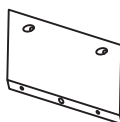
1 Top Qty 1  
(102x48x2.5cm)



2 Shelf Qty 1  
(102x19.7x1.5cm)



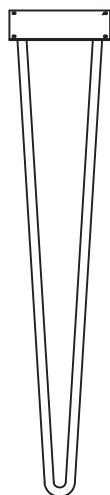
3 Vertical Side Panel (Left) Qty 1  
(13x19.6x1.5cm)



4 Vertical Side Panel (Right) Qty 1  
(13x19.6x1.5cm)



5 Vertical Divider Qty 1  
(13x10x1.5cm)





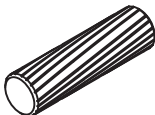


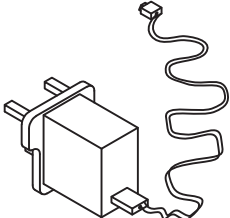

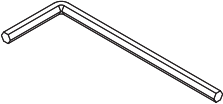
6 Leg Qty 4  
(70cm)

For missing or damaged parts, call our Customer Helpline: 01799 513466 or email [help@koble designs.com](mailto:help@koble designs.com)

# Fixings, Fittings And Tools

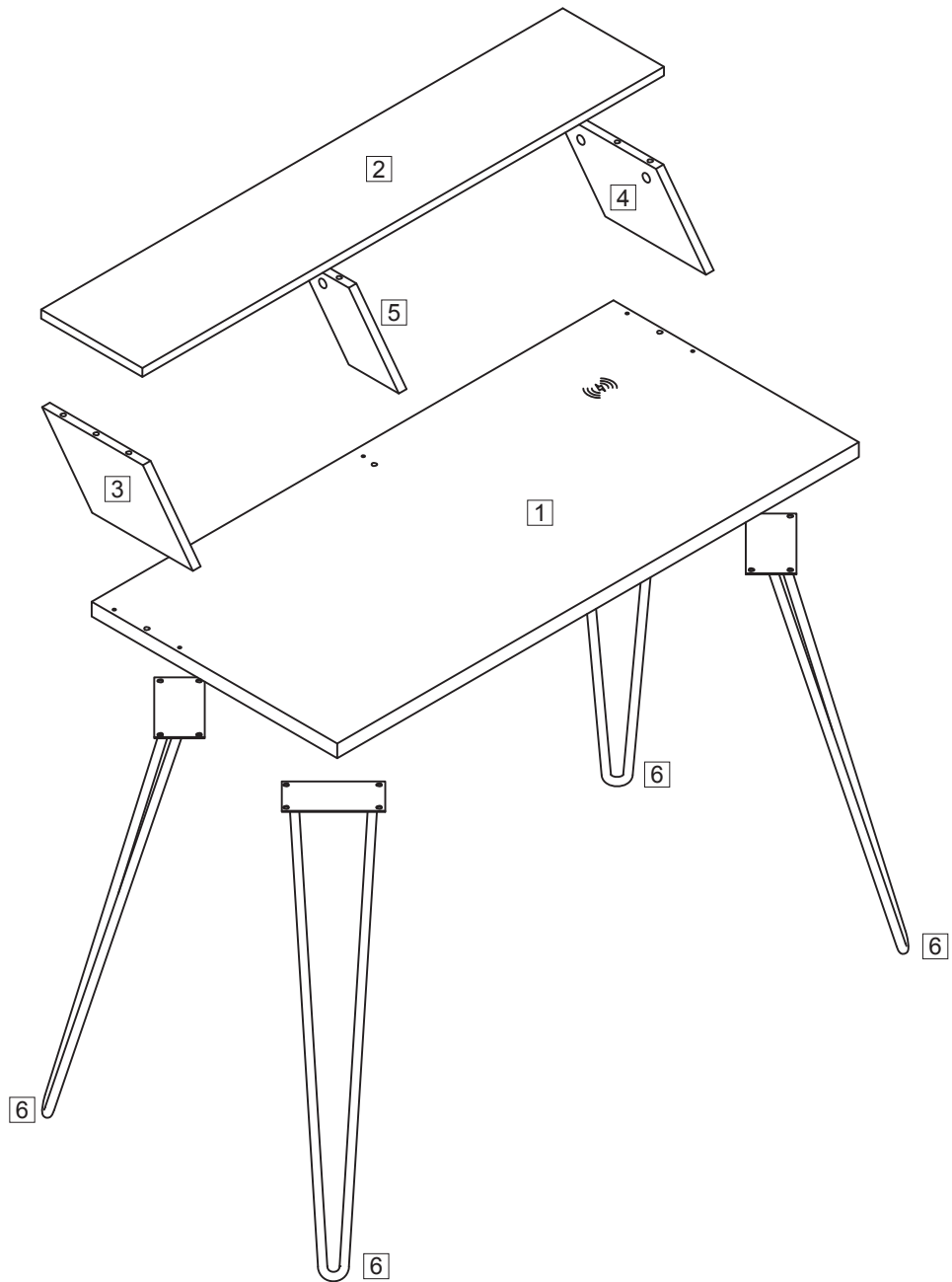
Please check you have all the parts listed below

**Note:** The quantities below are the correct amount to complete the assembly. In some cases more fittings may be supplied than are required.

<p><b>A</b></p>  <p>Cam nut x 5</p>	<p><b>B</b></p>  <p>Cam Dowel x 5</p>	<p><b>C</b></p>  <p>Wooden Dowel x 6</p>	<p><b>D</b></p>  <p>Wooden Screw 50mm x 5</p>
<p><b>E</b></p>  <p>Allen Screw M6x15mm x 16</p>	<p><b>F</b></p>  <p>Power Adapter 150cm x 1</p>	<p><b>G</b></p>  <p>Self adhesive covers Ø20x0.1mm x 5</p>	<p><b>H</b></p>  <p>Allen Key 4x23x71mm x 1</p>

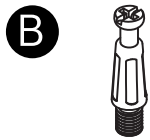
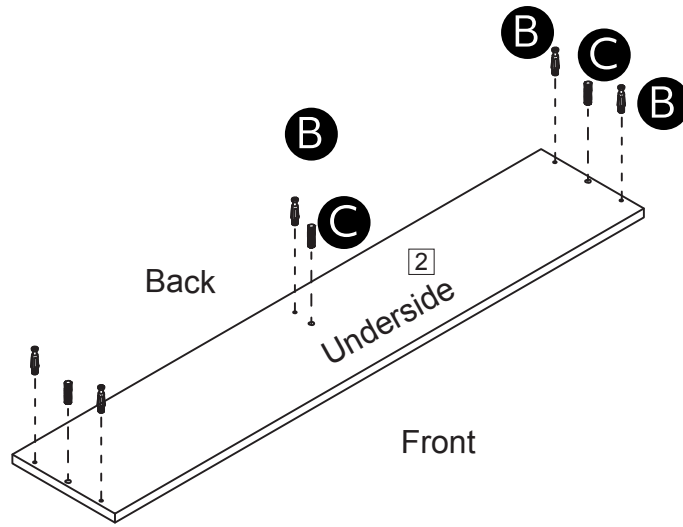
For missing or damaged parts, call our Customer Helpline: 01799 513466 or email [help@koble designs.com](mailto:help@koble designs.com)

# Main Component Diagram

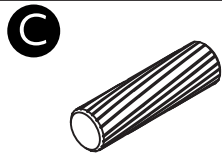


# Assembly Steps

## Step 1



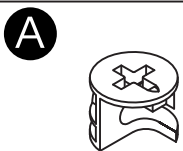
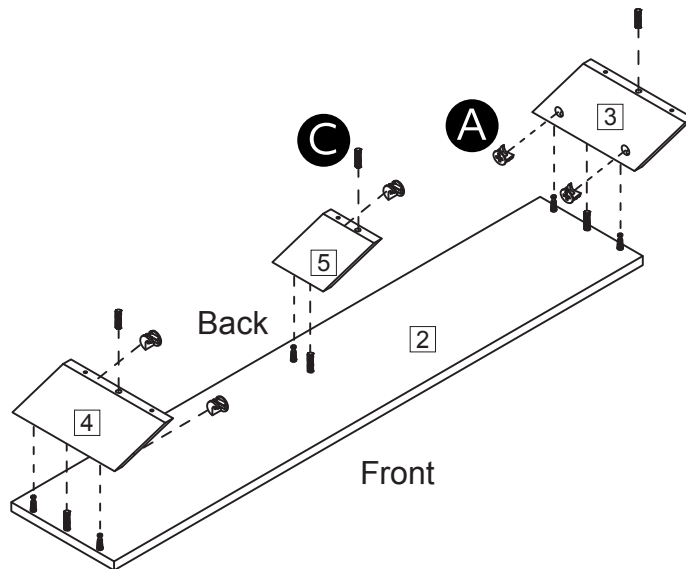
Cam Dowel x 5



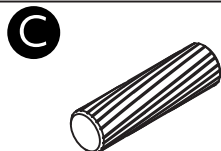
Wooden Dowel x 3

Shown Upside Down

## Step 2



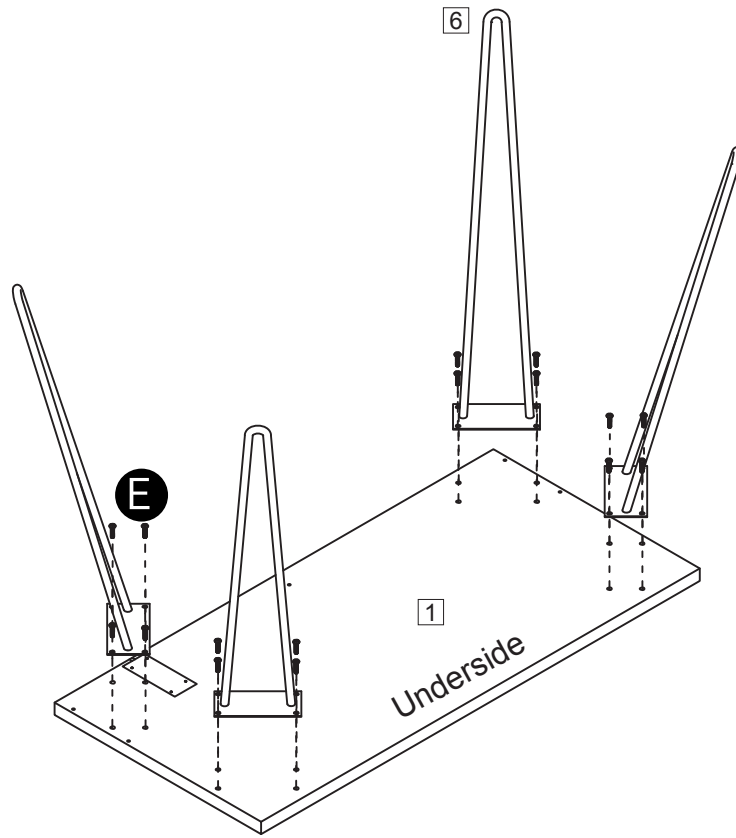
Cam nut x 5



Wooden Dowel x 3

# Assembly Steps

## Step 3



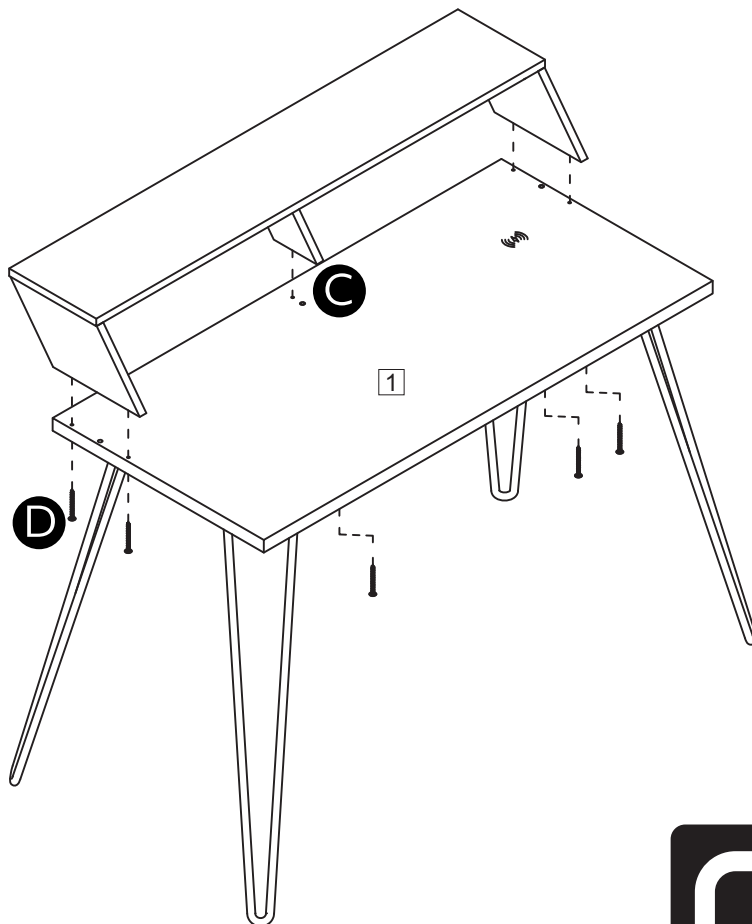
**E**



Allen Screw  
M6x15mm x 16

Shown Upside Down

## Step 4



**D**



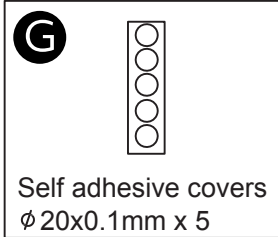
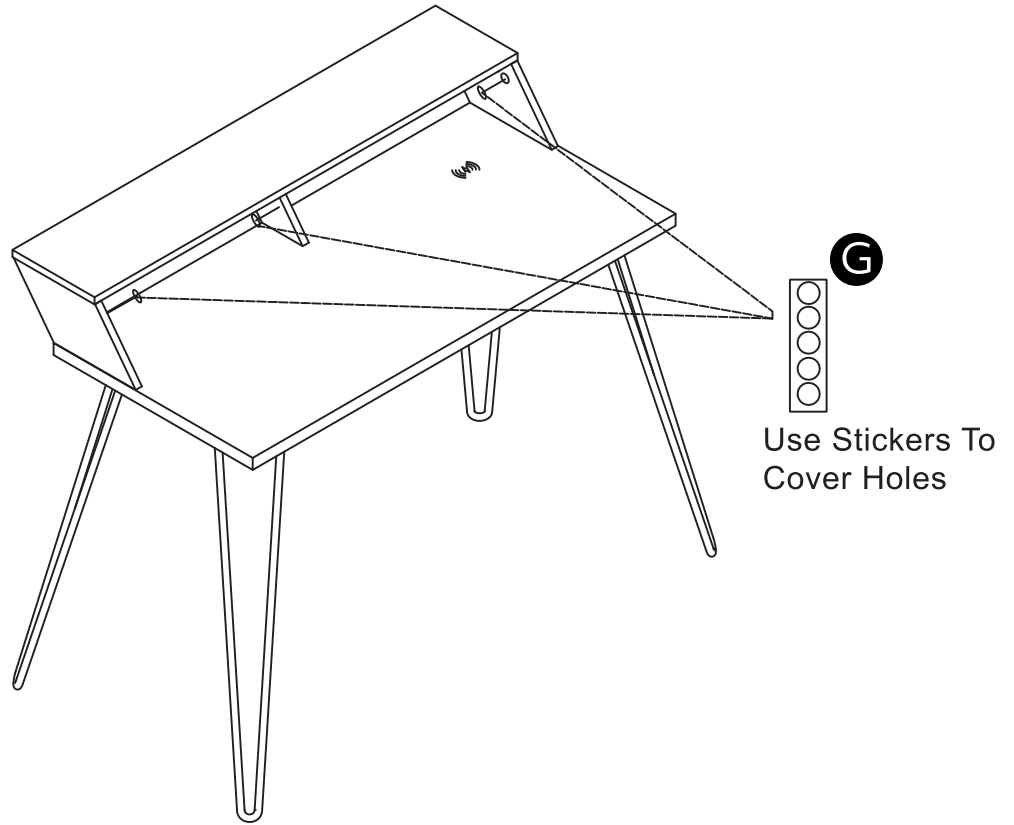
Wood Screw  
50mm x 5

5

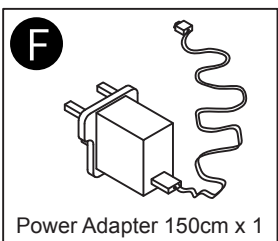
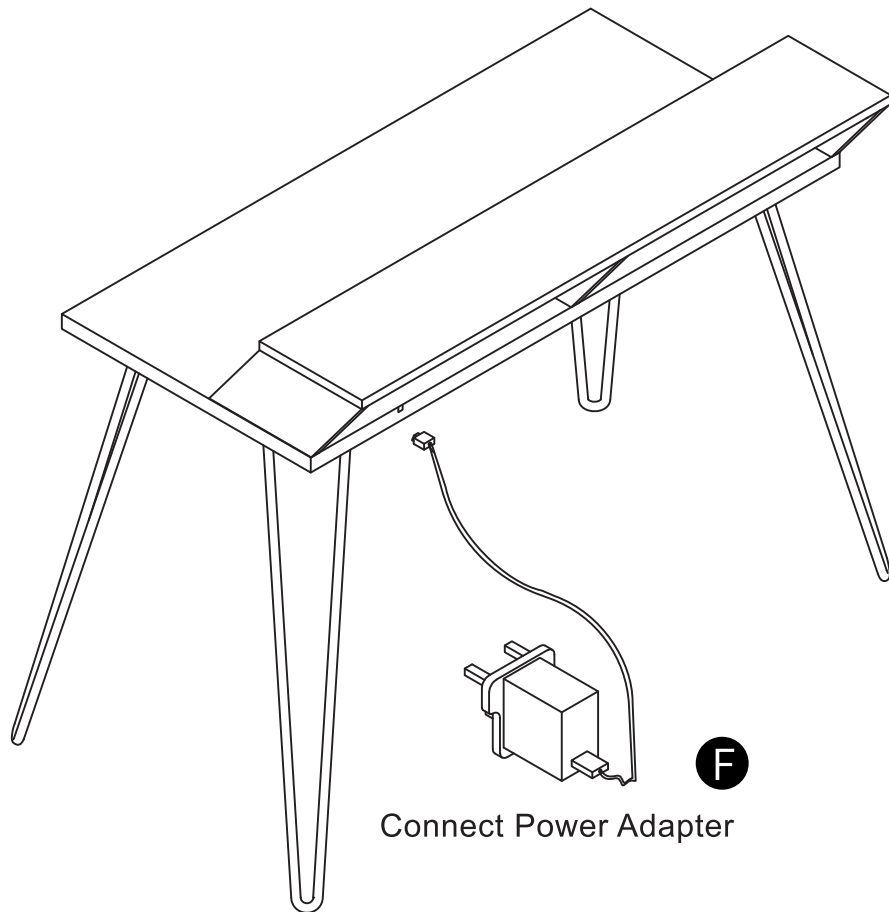


# Assembly Steps

## Step 5



## Step 6



# Wireless charging function

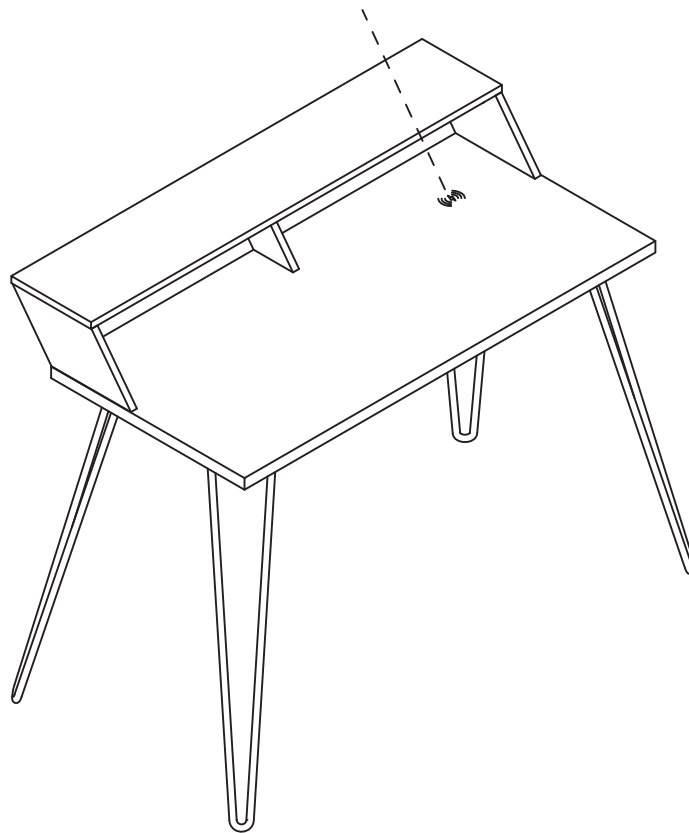
If you have a wireless charging compatible device, please put the phone on the wireless charging indicator and check if the phone is successfully connected to the charging function. If not, move the mobile phone near the logo until the connection is successful.

Some phone cases may inhibit the wireless charging function or its efficiency. It may be necessary to remove the phone case if difficulties with charging are experienced.

Wireless charging will only work with wireless charging compatible mobile devices.



wireless charging indicator



## Technical Specification

Working voltage: DC 5.0V $\pm$ 3.0A/9.0V $\pm$ 2.0A/12.0V $\pm$ 1.5A

Wireless Charging: 10W

Power Supply: AC adapter, 100-240V~50/60Hz



# Safety and Care Advice

1. The maximum weight that can be placed on this product is 15KG
2. This product must not be used as a seat.
3. Always use the original AC power adapter and power cable, otherwise it may cause slow wireless charging, In extreme cases, an incompatible AC power adapter may burn out.
4. In order to avoid accidents, do not open any electrical covers. Refer to a professional if the circuit is faulty.
5. Do not expose the product to damp or moisture.
6. Keep the product away from containers holding liquid. If any liquid enters into the product, it may be damaged.
7. Do not expose the product to dust or smoke.
8. If the product will not be used for a long time, please unplug the power.
9. When using the product, if smoke appears, or if there is a peculiar smell, please turn off the power, pull out the socket and seek professional help.
10. Pull out the plug before cleaning the surface of the product. It can be cleaned with a damp cloth and soap.

# Function

Wireless charging function

# Trouble shooting

If any failure occurs, please refer to the following solutions, to help solve the problem.  
If these are of no help, please contact the customer service helpline.

PROBLEM	PROBLEM CAUSE	REMEDY
No power display	Power plug not inserted properly. There is no power in the socket. The power is not switched on.	Check plug. Check power supply. Turn on the power socket.
No wireless charging	Power not connected. Mobile device does not have wireless charging function.	Check power is connected and on. Check your mobile device has wireless charging capability. Remove any cover from your mobile device.

# Disposal



■ If disposal of this product becomes necessary, please do this in an environmentally responsible way. Contact your local government office or authority for suitable disposal or recycling options in your local area. Do not dispose of this product, or its components, with your general domestic waste.

# After Sales Support / Product Returns

In the unlikely that you need to return the unit because it is faulty, please follow the `Product Returns` instructions at [www.kobledesigns.com](http://www.kobledesigns.com) website.

Should you need to request replacement parts, please contact our after sales support team at:-

Email - [CS@kobledesigns.com](mailto:CS@kobledesigns.com)

Tel: + 44 (0)1799 513 466

Address: Koble Designs, 6 The Shires, Shirehill industrial Estate, Saffron Walden, Essex, CB11 3AP