

KOBLE

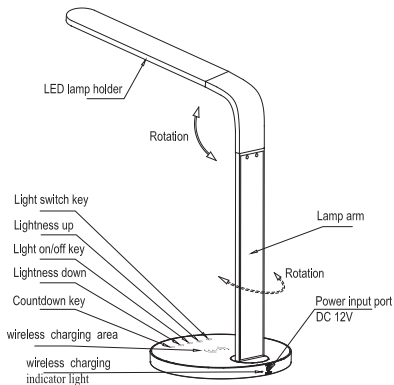
STEP INTO OUR SPACE

ARC LED light with Wireless Charging

User Manual

Please read this user manual carefully before use. We suggest you retain the user manual for future reference.

Product Illustration



Parts Included

1. Power Adapter x 1
2. Instruction manual x 1
3. Main body

Main Features and Technical Data

- Power supply: input AC100-240V 50/60Hz, output DC12V/2A
- Rated power of product: 21W
- Rated power of lamp: 6W
- Dimming type: Capacitive touch control ON/OFF key, 5 levels dimming
- Timing shutdown: Smart timing lights (on/off auto-control)
- Light source: 48 pcs High photosynthetic efficiency semiconductor LED
- Three light modes switch: natural light-white light-yellow light
- Color temperature: 2700-6500K
- Color rendering index (CRI): Ra≥90
- Max illuminance: ≥1000LUX (The Intensity of Illumination measured from the lamp perpendicular to the table top 33cm distance)
- Wireless charging output: 10W (MAX)

Operating Instructions

1. Plug in the lamp and press the " ⏻ " symbol to turn on the LED light. The default setting is a bright natural light. Press " ⏻ " to turn off the light.

2. To change the light modes, press the " M " button to switch between natural light — white light — yellow light.
3. To adjust the lamp brightness, press the " ⊕ " or " ⊖ " buttons.

4. To set the 40 minute default timer function, press and hold the " ⊖ " button. The light will remain on for 40 minutes. The timer function can be cancelled by pressing and holding the " ⊕ " button.

5. When adjusting the lamp angle, always hold the base firmly with one hand, which changing the angle with the other.

IMPORTANT - The angle can only be adjusted directly up or down. Never try to twist or rotate the lamp holder as damage may occur.

Wireless Charging

1. The wireless charging function is active whenever the lamp is connected to a mains power supply.

2. To charge a compatible mobile phone with wireless charging technology, locate the phone directly on top of the charging icon in the centre of the base plate.

3. Charging will begin immediately and the charge status will be displayed on the phone as normal.

4. The wireless charging indicator light will illuminate green during charging.

5. If the indicator light flashes red, wireless charging is not functioning correctly.

6. When wireless charging is complete, the indicator light will illuminate green

Android – Illuminate red and green

- Lamp and charging can be used at the same time.
- Some phone cases may inhibit the wireless charging function. If necessary remove the phone case to improve charging efficiency.
- Do not place any other metal products or magnets onto the base during charging as this will effect the function.

Caution / Warnings (Please read)

- The power transformer is DC12V/2A. If the transformer or cable are damaged DO NOT USE! Contact the supplier for further advise or replacement – Contact details provided at the end of the guide.
- This product is for indoor use only!
- This product MUST be kept away from any moisture or extreme temperatures. Damage will occur if this is not observed.
- Never look directly into the LED light area.
- The normal function may be affected, if the product is exposed to strong electromagnetic currents.
- Please avoid excessive or repeated adjustment of the lamp head,as this will result in deterioration or even failure of the silicone components. Do not force the shade or adjustable stem past their stop point or damage will occur.
- The LED lights inside the lamp head cannot be replaced. If these fail, the whole lamp must be replaced.
- Wherever possible, the lamp should be disposed of in an environmentally responsible way. Contact your local government office for disposal or recycling options in your local area.

After Sales Support/ Product Returns

In the unlikely event that you need to return the unit because it is faulty, please follow the 'Product Returns' instructions at www.kobledesigns.com website.

Should you need to request replacement parts, please contact our after sales support team at:-

Email – returns@kobledesigns.com

Tel: + 44 (0)1799 513 466

Address: Koble Designs, 6 The Shires, Shirehill industrial Estate, Saffron Walden, Essex, CB11 3AP