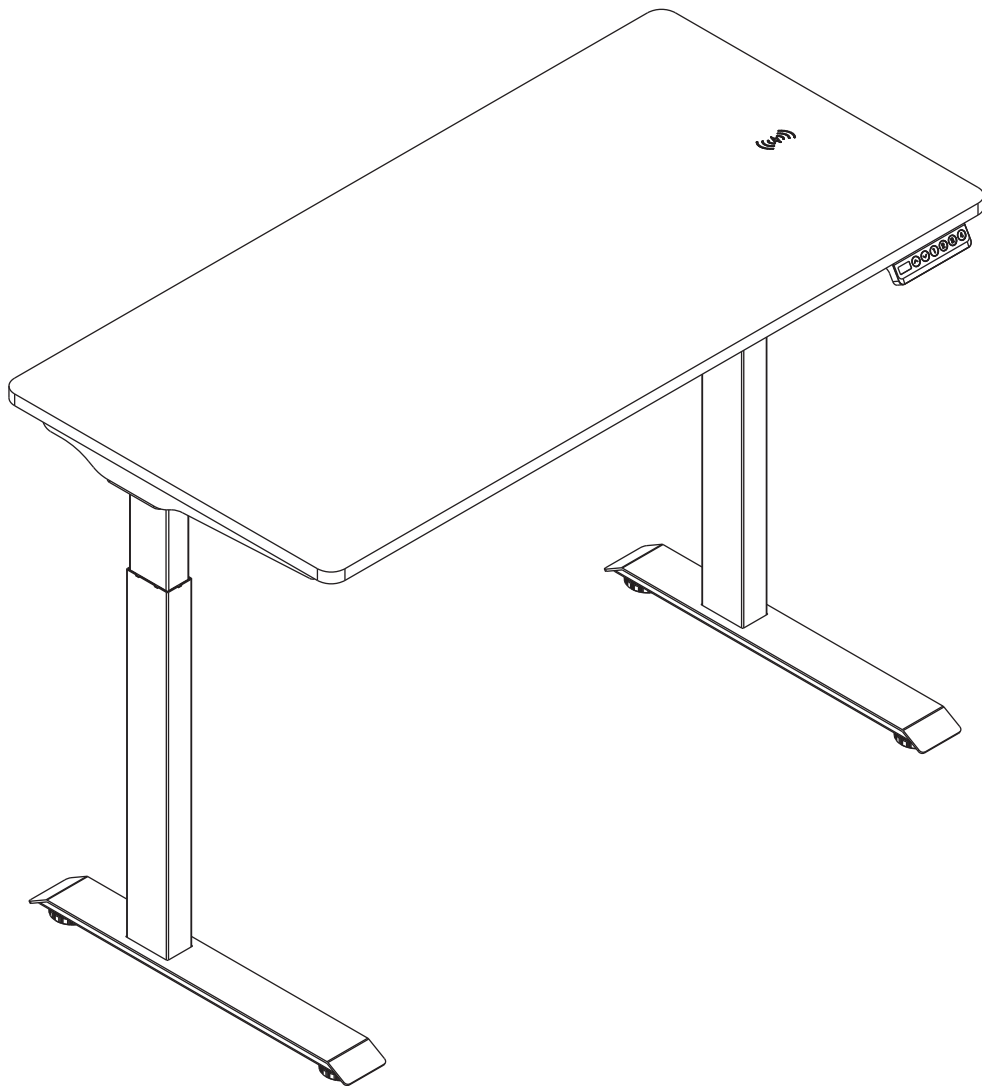


KOBLE

www.koblesigns.com

Apollo Desk Assembly Instructions



STOCK Ref: DOAPOW/DOAPOD

Imported By: Koble Designs (Justwise Group Ltd). CB11 3AP.

Issue 1 - 19/05/21

Safety and Care Advice

1. The maximum weight that can be placed on this product is 50kg.
2. This product must not be used as a seat.
3. Always use the original AC power adapter and power cable, otherwise it may cause slow wireless charging. In extreme cases, an incompatible AC power adapter may burn out.

Specifications

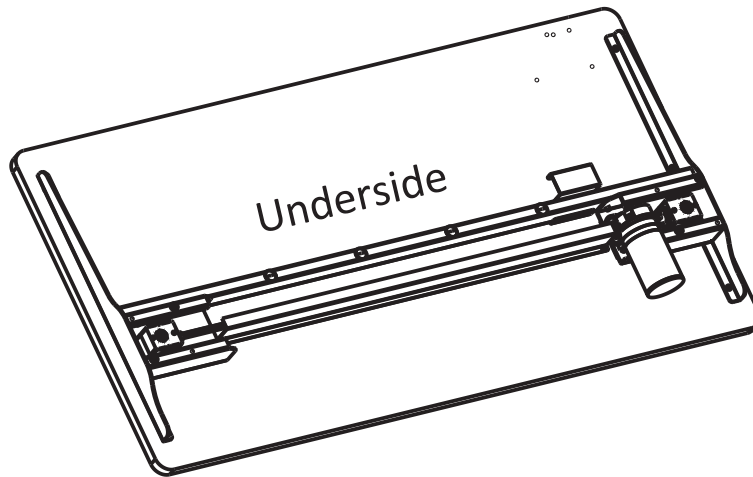
Power Supply: AC adapter, 100-240V 50/60Hz

Service Environment: 0-40°C

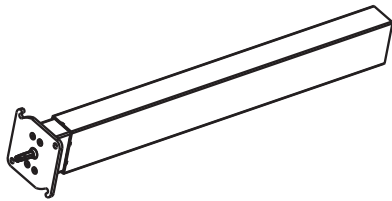
Wireless Charging: 10W

Main Components

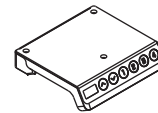
Please check you have all the parts listed below



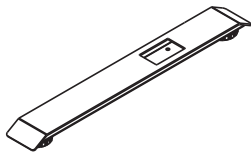
1 Desk Top Qty 1
(120*60*1.8cm)



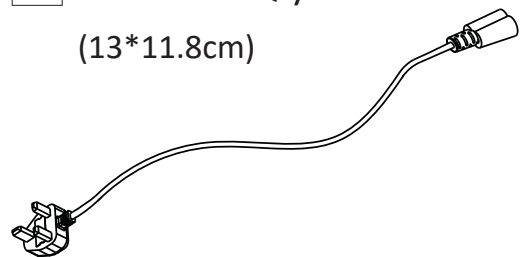
2 Leg Qty 2
(67*7.5cm)



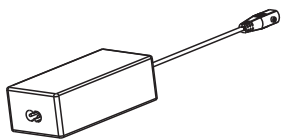
3 Controller Qty 1
(13*11.8cm)



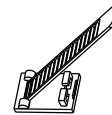
4 Foot Qty 2
(58*7.4cm)



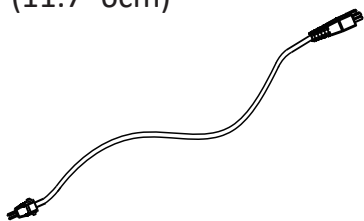
5 Power Cable Qty 1
(310cm)



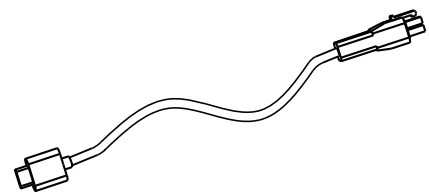
6 Power Adaptor Qty 1
(11.7*6cm)



7 Cable tidy clip Qty 4
(2.5*1.8cm)



8 Flash Cable Qty 1
(50cm)



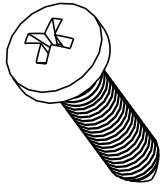
9 Cable for Wireless charging device Qty 1
(40cm)

Fixings, Fittings And Tools

Please check you have all the fittings listed below

Note: The quantities below are the correct amount to complete the assembly. In some cases more fittings may be supplied than are required.

A



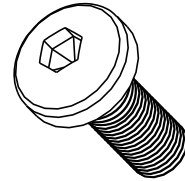
ST4.2x19mm Qty 3

B



M6x12mm Qty 4

C



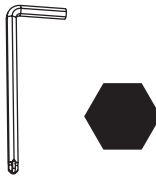
M6X16mm Qty 8

D



4x4 Qty 1

E



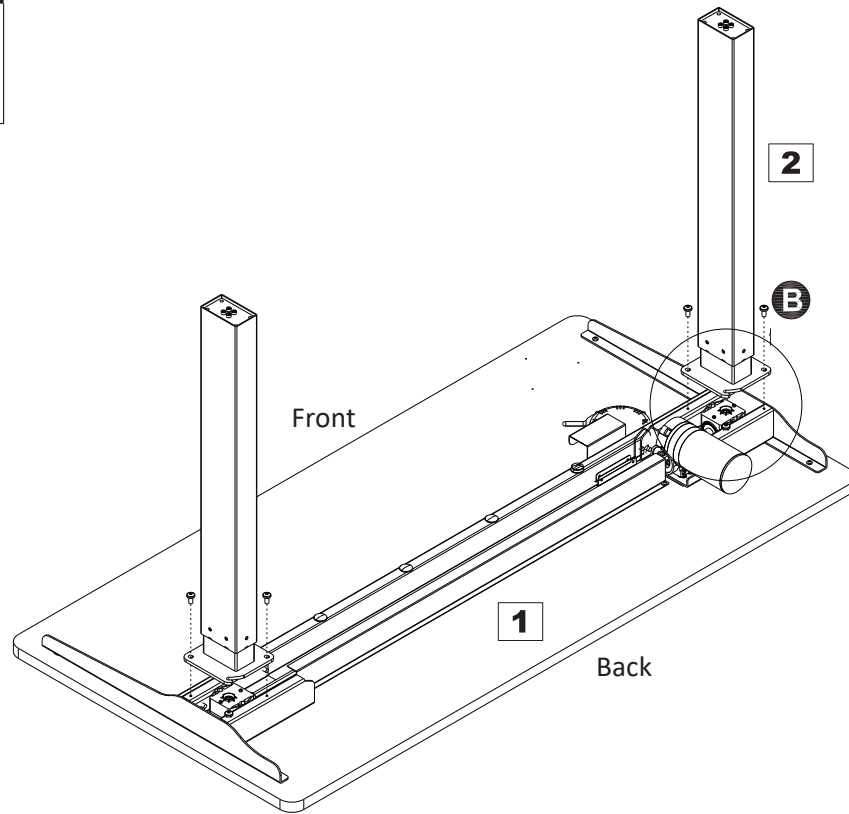
5x5 Qty 1

For missing or damaged parts, call our Customer Helpline: 01799 513466 or email help@koble designs.com

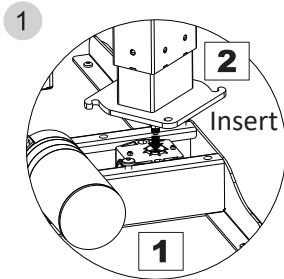
Assembly Steps

STEP 1

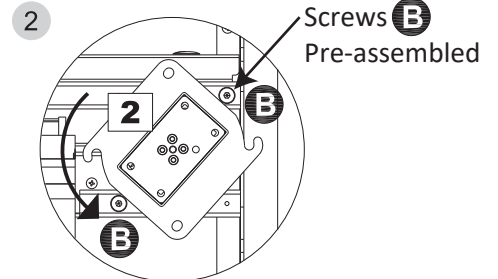
Assemble legs **2** to top **1** using fixings **B**.



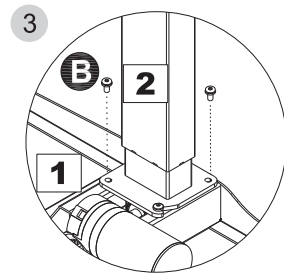
Important



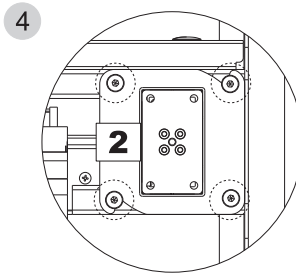
Insert the hexagon Shape rod in the end of the leg **2** into the hexagon shape hole in the motor housing.



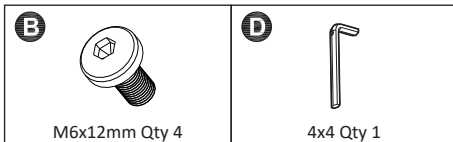
Once inserted, rotate the leg to engage the fixing screws **B** as shown.



Fit two more screws **B**.

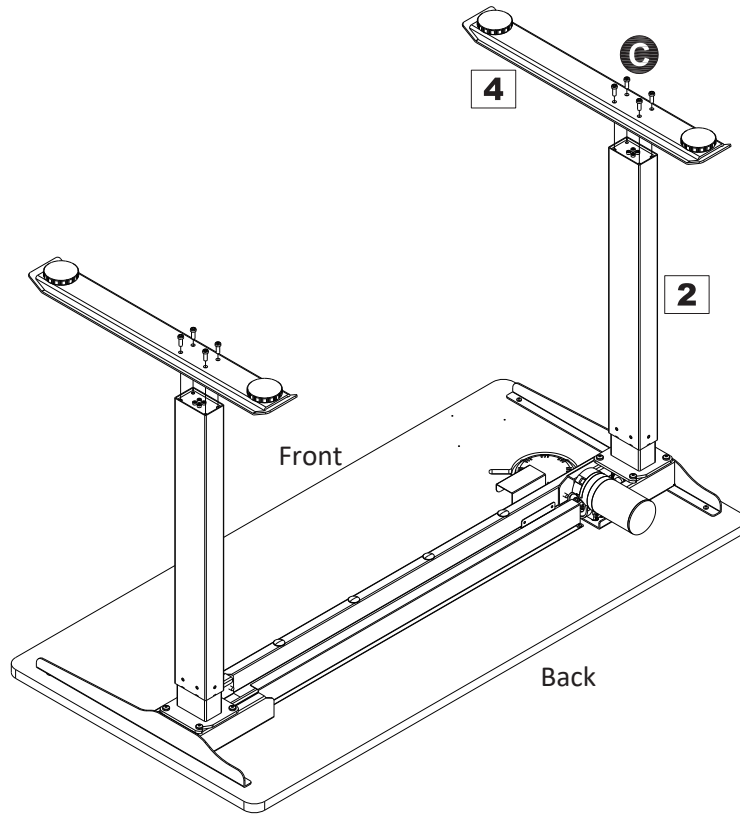


Fully tighten all four screws **B**.



STEP 2

Assemble feet **4** to legs **2** using fixings **G**.



G



M6X16mm Qty 8

D

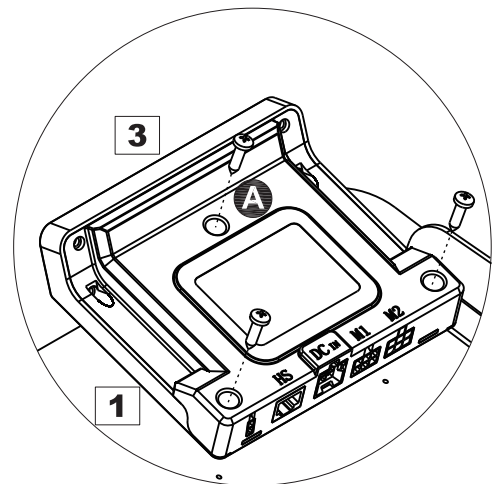
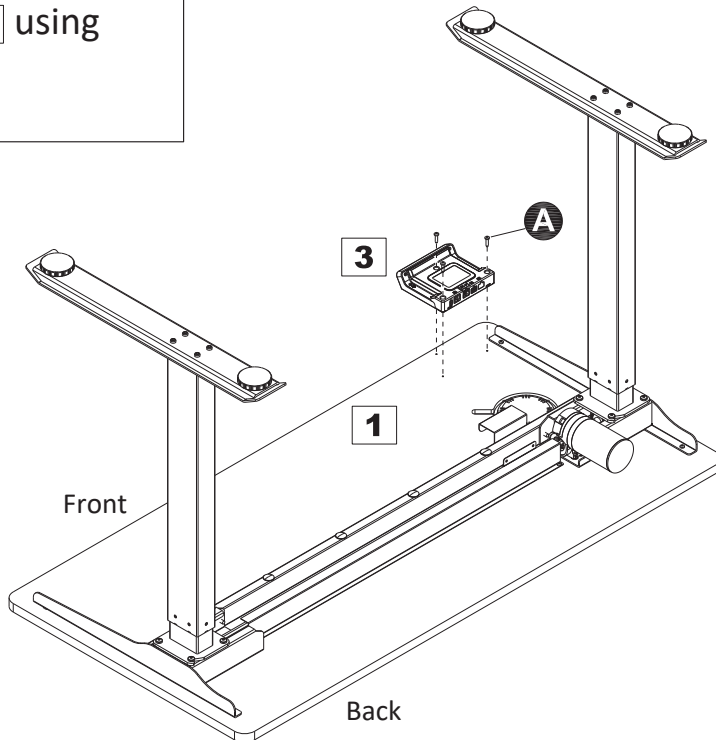


4x4 Qty 1

STEP 3

Assemble the controller **3** to top **1** using

fixings **A**.



A



ST4.2x19mm Qty 3

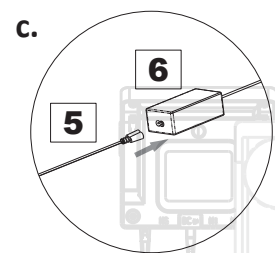
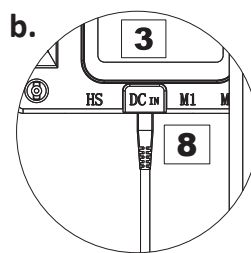
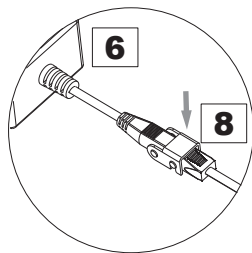
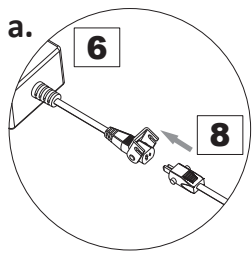
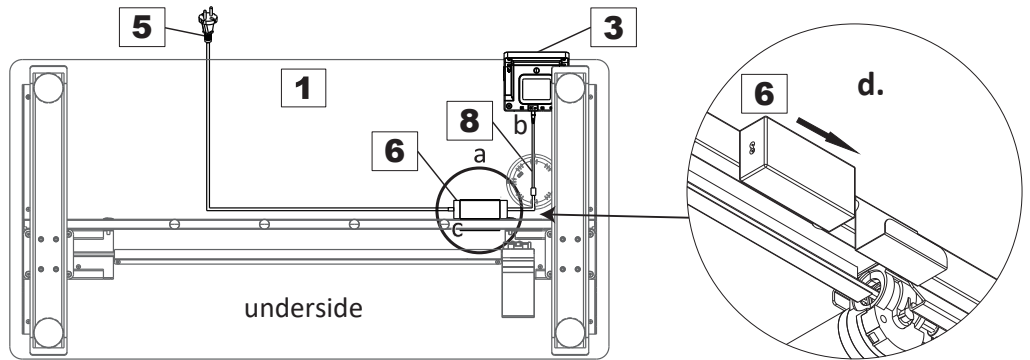
E



5x5 Qty 1

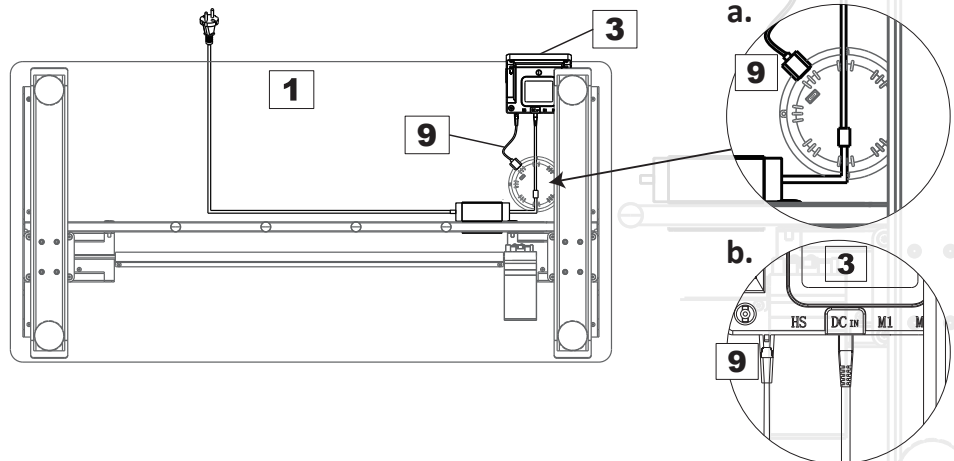
STEP 4

- Connect flash cable **8** to power adaptor **6**.
- Connect flash cable **8** to the DC port on controller **3**.
- Connect power cable **5** to power adaptor **6**.
- Finally locate the adaptor **6** into the bracket on the underside of the top.



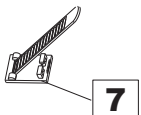
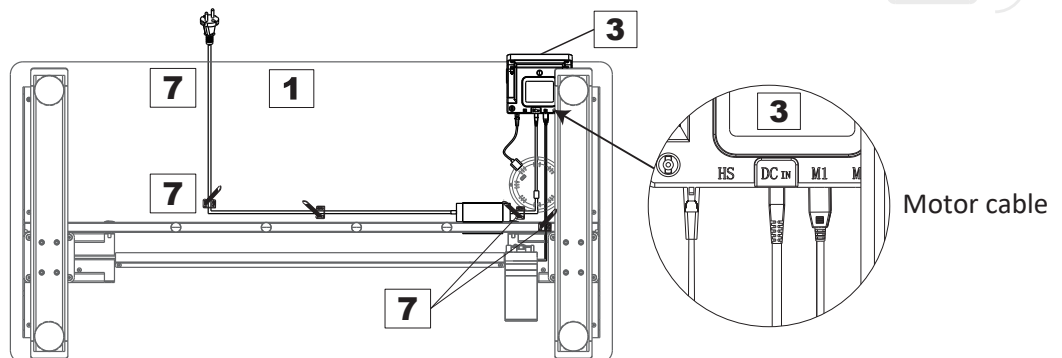
STEP 5

Connect wireless charging cable **9** in between the wireless charging module on the underside of the desk top **1** and the port next to HS on the controller **3**.

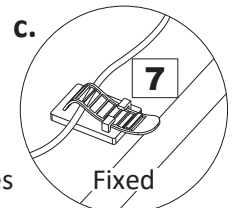
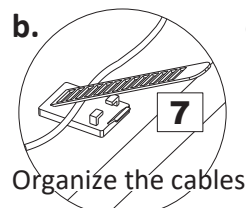


STEP 6

Connect the motor cable to the M1 port on controller **3**.

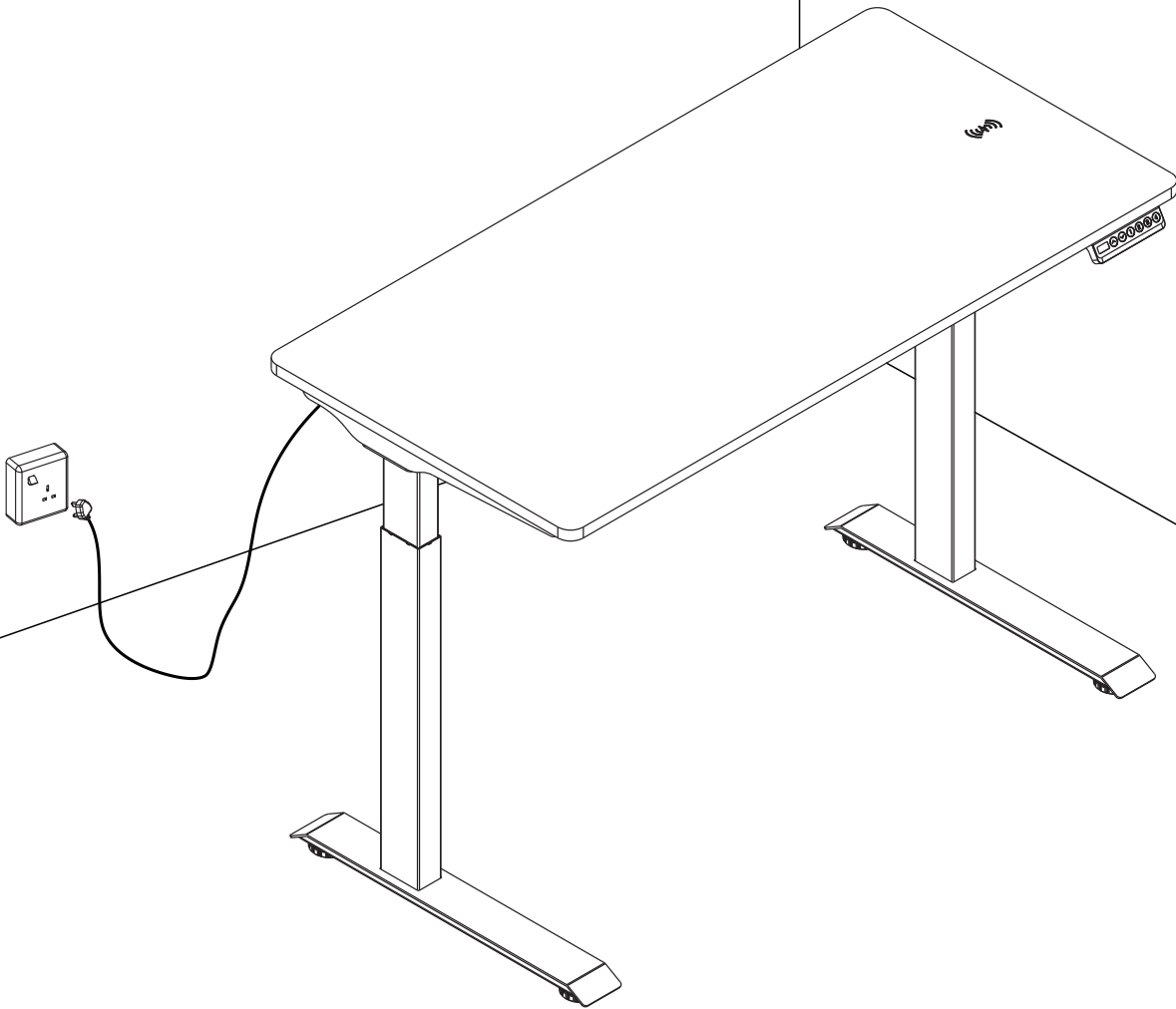


Finally route cables through cable tidy clip **7**.



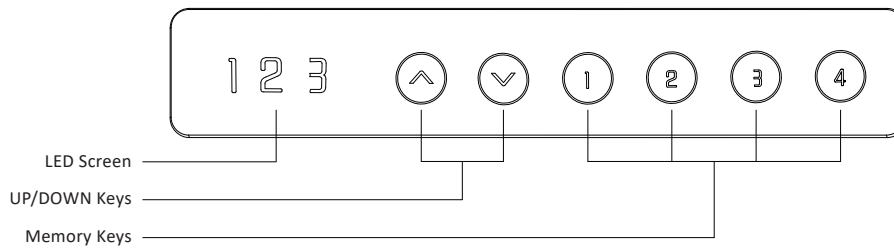
STEP 7

With help, carefully turn the desk over into its final location and connect to a power source.



Height Adjustment / Controls

Control Panel



Up and DOWN Function

To raise the desk height, press and hold the key until the desired height is reached. The screen will show "top" when the desktop reaches its highest point.

To lower the desk height, press the key until the desired height is reached. The screen will show "bot" when the desktop reaches its lowest point.

Short press the key or key, to make small adjustments to the height.

Programme Preset Height (Standing/Seated)

Standing:

Use the or keys to set the desired standing position height.

Press the chosen memory key (1, 2, 3 or 4) and hold for 3 seconds.

The standing position height will now be pre-set for the chosen memory setting number.

To select the preset standing position height in the future, press the chosen memory key (1, 2, 3 or 4) and release.

The desk top will adjust to the pre-set height.

Seated:

Use the or keys to set the desired seating position height.

Press memory keys and hold for 3 seconds.

The seating position height will now be pre-set.

To select the preset seated position height in the future, press memory keys and release. The desk top will adjust to the pre-set height.

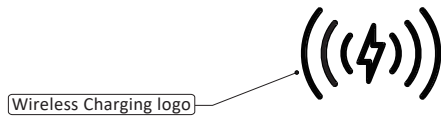
Anti-Collision

For safety reasons, the desktop has an automatic anti collision safety feature. If there is any obstruction or restriction encountered whilst the top is being adjusted, it will stop and rebound.

Press the "up" and "down" keys simultaneously for 3 seconds to change sensitivity level. There are 4 sensitivity levels.

When the display shows "A-0", the anti-collision function is turned off. "A-3" is for high sensitivity; "A-2" is for middle sensitivity; "A-1" is for low sensitivity. (Factory default A-2)

Wireless Charging Function



If you have a wireless charging compatible device, please put the phone on the wireless charging indicator and check if the phone is successfully connected to the charging function. If not, move the mobile phone near the logo until the connection is successful.

Some phone cases may inhibit the wireless charging function or it's efficiency. It may be necessary to remove the phone case if difficulties are experienced.

Wireless charging will only work with wireless charging compatible mobile devices.

Wireless charging will not function whilst the desktop height is being adjusted.

Troubleshooting

a.Reset: Press the 3 and 4 keys simultaneously, when the LED shows *RST* or *rSt*, press and hold ⏻ keys until the lifting table lowers to the lowest position and rebounds to rise to a stop. The display shows the lowest height "bot", release ⏻ down keys, the reset is over and the table can be used normally.

b.When it doesn't work and the LED shows "E01" or "E02", please retry 18 mins later.

c.If the ⏻ keys doesn't work, and the LED shows other code,please check the cable connection and then cut off the power for at least 10 seconds. Reconnect the power and press ⏻ keys to start and reset process when it shows the "RST".

d.If all these above process are inefficient, plz contact our customer service.

The following tips will help you detected and eliminate the comman faults and errors. If the fault you met is not listed below, please contact our after sales team. Only the manufacturer can investigate or resolve faults or errors not listed below.

Fault phenomenon	Method	Fault phenomenon	Method
No response while long pressing down arrow after connected with a power supply	1.Check if all the cables be connected well	Downward sliding	1.Check if overloaded, max loading: 50kg;
	2.Contact your supplier or dealer		2.Contact your supplier or dealer
No response while pressing up arrow/ down arrow after connected with a power supply	1.Check if all the cables be connected well	Frequently Reposition	1.Check if overloaded, max loading: 50kg;
	2.Contact your supplier or dealer		2.Contact your supplier or dealer
Rising in a low speed	1.Check if overloaded, max loading: 50kg;	Overwork (Duty cycle:Max 2min on/18min OFF)	1.Restart after suspend for 18mins while connecting with power;
	2.Contact your supplier or dealer		2.Contact your supplier or dealer;
The motor not move as instructed	1. Contact your supplier or dealer	Not enough up&down height	1. Press "M"and "3" together for 3 seconds ormore, after hearing continuous beeping for twice,it will restore factory settings
Go down but not go up	1.Reposition		2.Contact your supplier or dealer
	2.Contact your supplier or dealer		

Important Information

1. Power supply: AC100V-240V, 50/60Hz
2. Service Environment: 0-40°C
3. Unplug the power plug before cleaning, wipe the dust on surface with damp cloth when cleaning. Be careful not to let water drops into the internal parts, or loose the connector.
4. Check carefully to ensure correct and complete assembly before using.
5. Be familiar with all functions and program settings of the product before first use.
6. Don't allow children to play near the desk as their behavior is unpredictable. The manufacturer is not responsible for loss, injury, or damage due to those improper action.
7. The slight noise caused by the internal mechanism or brake system of the structure, will not have any effect on the use of the equipment.
8. Do not use corrosive or abrasive materials are near the equipment. Please ensure that the cleaner used will not pollute the environment.
9. This appliance can be used by children aged from 8 years and above and persons with reduced physical, sensory or mental capabilities or lack of experience and knowledge, only after they have been given supervision or instruction concerning use of the appliance in a safe way and understand the hazards involved. Children should not play with the appliance.
10. Cleaning and user maintenance should not be attempted by children without supervision.
11. If the supply cord is damaged, it must be replaced by the manufacturer, its service agent or a similarly qualified person in order to avoid a hazard.
12. Please make sure there is no hazard sources in your operating environment. e.g., do not litter the tools around. Always be careful to treat the packaging materials in order to avoid any possible danger, e.g. plastic bag may lead to choking hazard to children.
13. We recommend you keep the original package of the equipment if necessary in case of the future use in transportation.

After Sales Support / Product Returns

Purchased from kobledesigns.com

In the unlikely event that you need to return the unit because it is faulty, please follow the replacements or faulty items instructions at www.kobledesigns.com website.

Should you need to request replacement parts, please contact our after sales support team at:-

Email - CS@kobledesigns.com

Tel: + 44 (0)1799 513 466

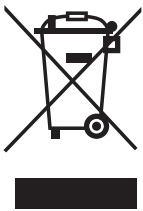
Address: Koble Designs, 6 The Shires, Shirehill industrial Estate, Saffron Walden, Essex, CB11 3AP

Purchased from other retailer

If you purchased your product from one of our retail partners, please refer back to the retailer directly, for any customer services related issues, refunds or returns requests.

Koble designs may still be able to offer support with technical related queries.

Disposal



This marking indicates that this product should not be disposed with other household wastes. To prevent possible harm to the environment or human health from uncontrolled waste disposal, recycle it responsibly to promote the sustainable reuse of material resources. To return your used device, please use the return and collection systems or contact the retailer where the product was purchased. They can take this product for environmental safe recycling.