

Installation Instructions: LED Non Maintained Downlight (09065)

Specification

1. Input Voltage: AC220-240V 50/60Hz
2. Wattage: 2W
3. Power factor: 0.83PF, supply current: 13mA
4. Lumens: 145lm.
5. Battery installed or replaced: Ni-Mh 4.8V 1500mAh.
6. Operating environmental temp: 0° to +35°C.
7. Recharge time: 24 hours.
8. Emergency duration: more than 3 hours.

Important Information

We recommend that luminaires are installed by a qualified electrician ensuring the installation complies with current IEE wiring regulations BS7671:2018 & local building control.

- All tests should be carried out in accordance to EN 50172:2004.
- BELL will not accept responsibility for any claims arising from a poor installation.
- The light source of this luminaire is not replaceable: when the light source reaches end of life, the whole luminaire must be replaced.

Important User Advice

- The ambient room temperature should not exceed 35°C.
- Ensure that there is adequate free air ventilation around the fitting.
- Always switch off mains supply before installing.

This product may contain substances that can be hazardous to the environment if not disposed of properly. Electrical and electronic equipment should never be disposed of with general household waste but must be separated for its correct treatment and recovery.

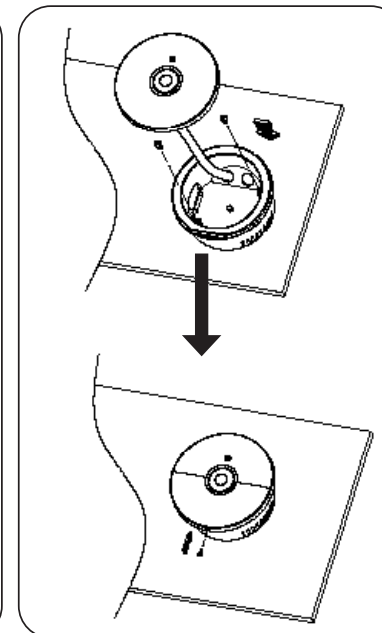
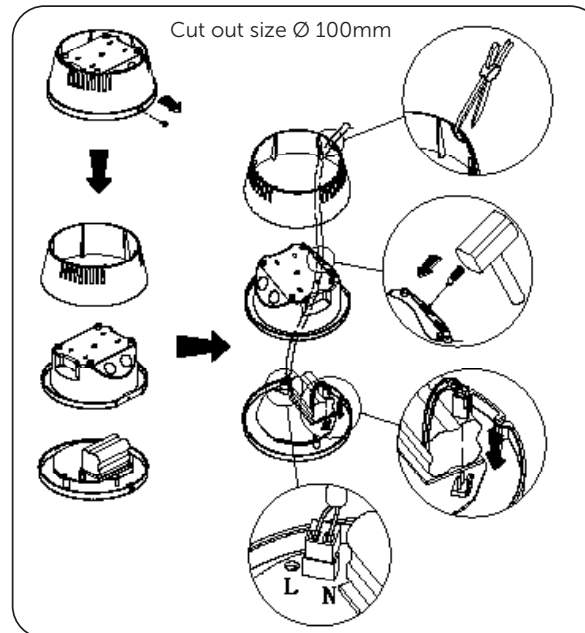
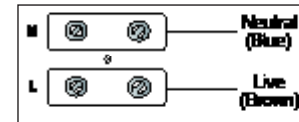
Where possible recycle your packaging. 

Read these instructions before installation and retain for future reference 

This equipment should be installed by a competent electrician

Installation:

1. Connect mains supply wiring as opposite diagram.
2. Power & battery wires should be connected.
3. Switch on 220-240V AC supply and check that the green l.e.d indicator illuminates to confirm charging of batteries.
4. Allow a short period for part charging of the batteries and then isolate the mains supply to the fitting in order to check the correct operation of the fitting in emergency mode. When the first use, after a continuous charge for 36 hours, a mains failure should be simulated to ensure that the fitting work for its specified time (only at a safe & appropriate time). The fitting will be fully charged with in 24 hours.



Lenses:

Two lenses are provided, please fit either the lens for open area application, or the lens for escape routes. When installing either lens, pay attention to the tabs for correct alignment, and push in place firmly for a snap-fit.



Use of switch on PCB:

In AC input, Press for 1 second: Timing begins / Press for 3 seconds: LED on, auto test for 5 minutes

Indicator working performance

Normal fitting: green indicator working

Battery failure: red indicator flashing. (Flash once every 3 seconds.)

Lighting source failure: red indicator flashing. (Flash twice every 3 seconds.)

Less than the rated duration time: red indicator fast flashing. (Flash 3 times every 3 seconds)

Auto-Test instructions

After the emergency light is installed:

An automatic test automatic test will conduct once monthly for emergency lighting for 10 minutes.

The light will return will return to normal operation after 10 minutes.

An automatic test will be conducted once a year for emergency lighting for 3 hrs. The light will return to normal operation after 3 hours

If the emergency duration is less than the specified time the red indicator on the light will flash.