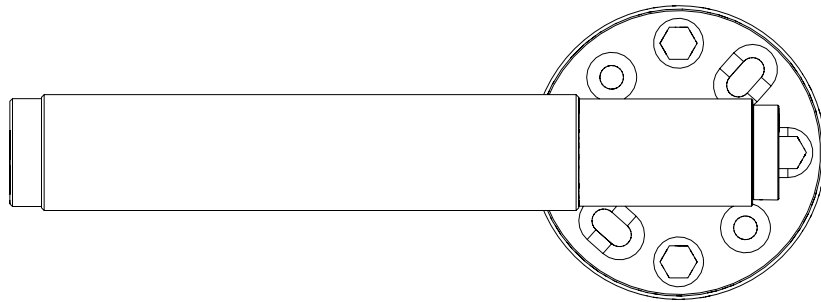


# BUSTER+PUNCH

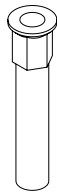
LONDON

## FIXED DOOR HANDLE CROSS KNURL INSTALLATION

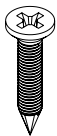
INSTRUCTION MANUAL EN  
MANUEL D'UTILISATION É.-U.  
MANUAL DE INSTRUCCIONES (EE. UU.)



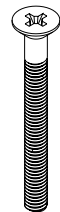
### CONTENTS



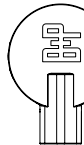
x2



x4



x2



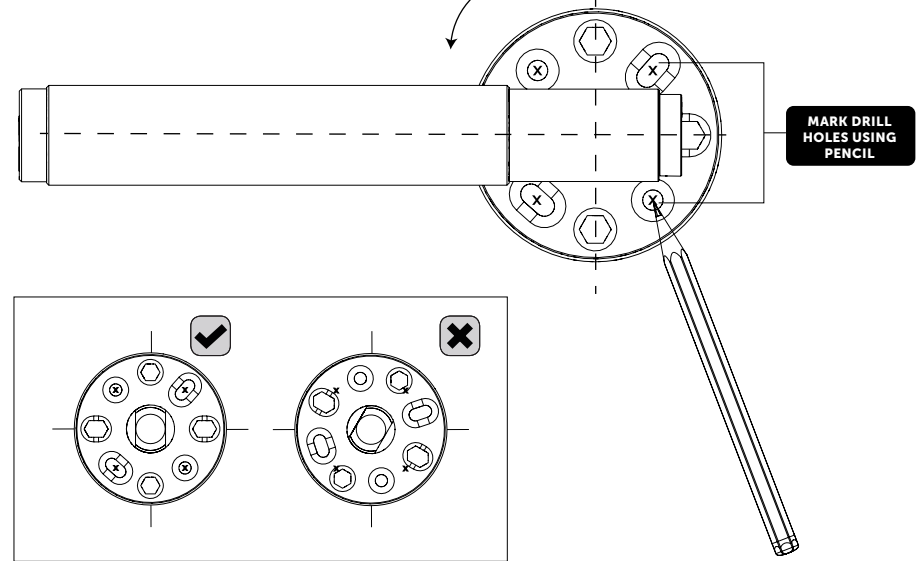
x1

BUSTERANDPUNCH.COM  
LOXXX

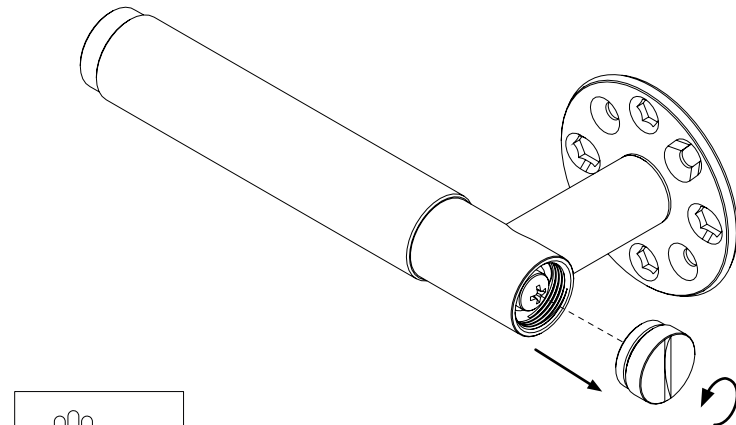
### A SINGLE SIDED

ENSURE HANDLE IS LEVEL

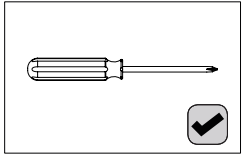
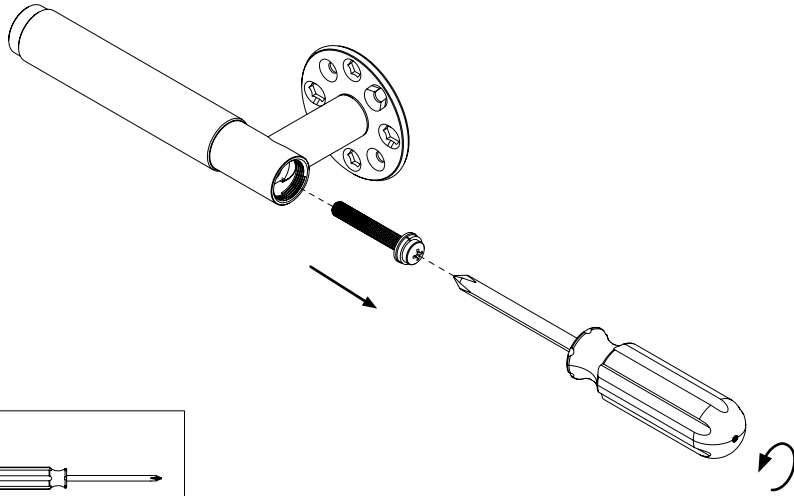
90°



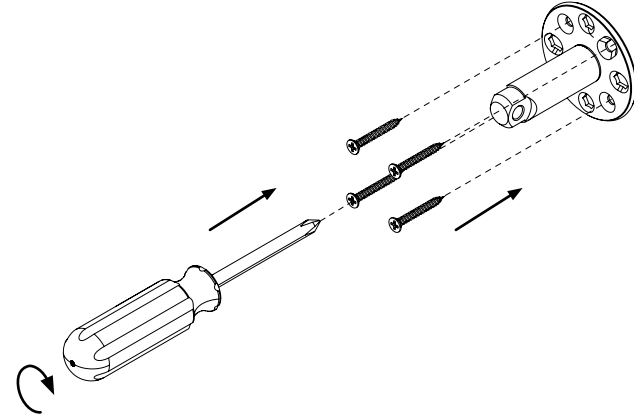
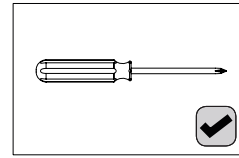
### 1



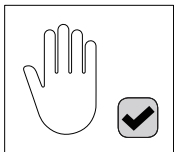
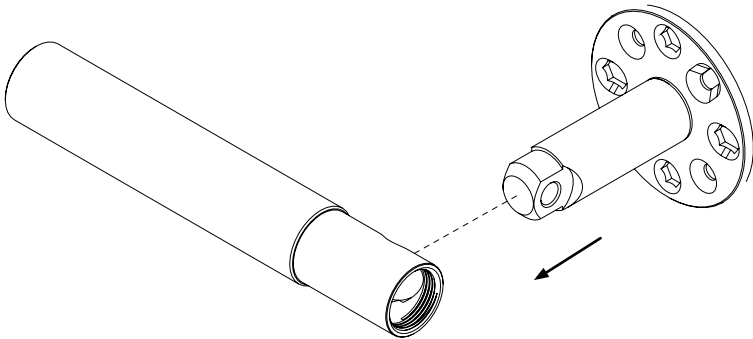
2



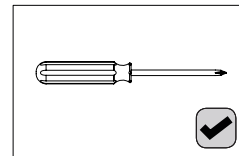
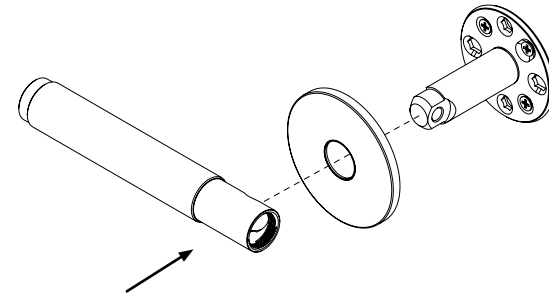
4



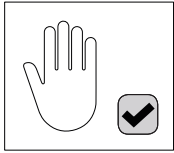
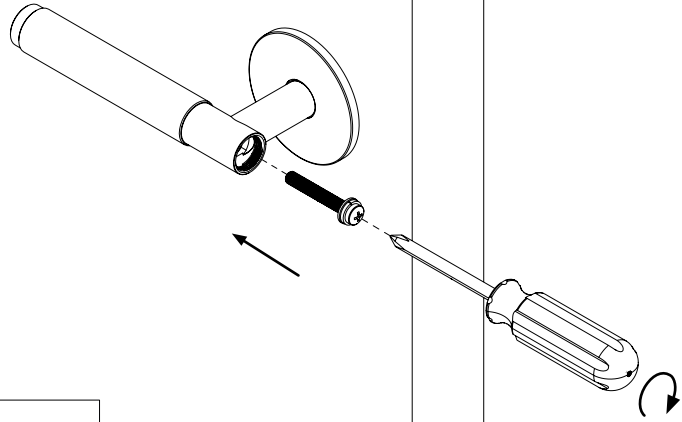
3



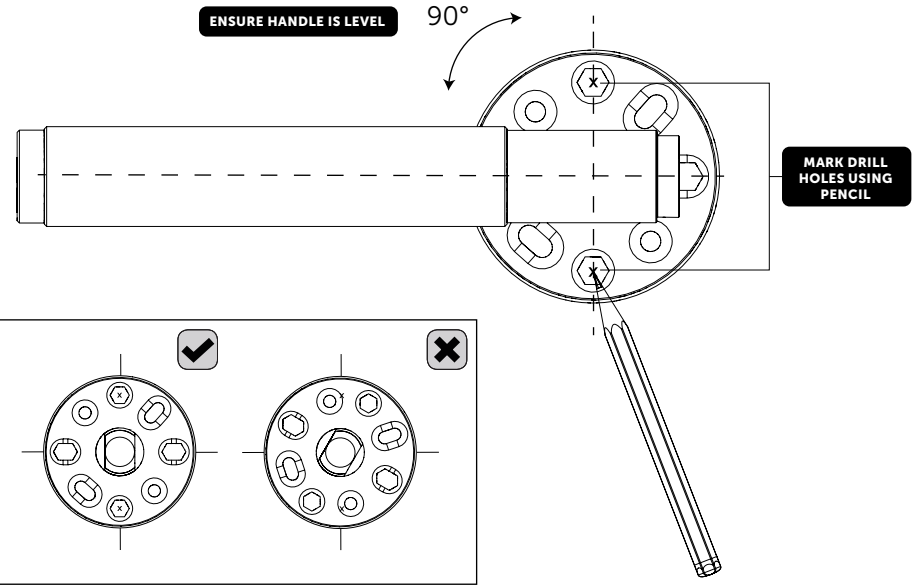
5



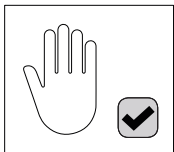
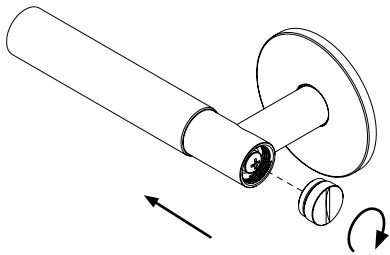
6



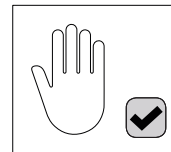
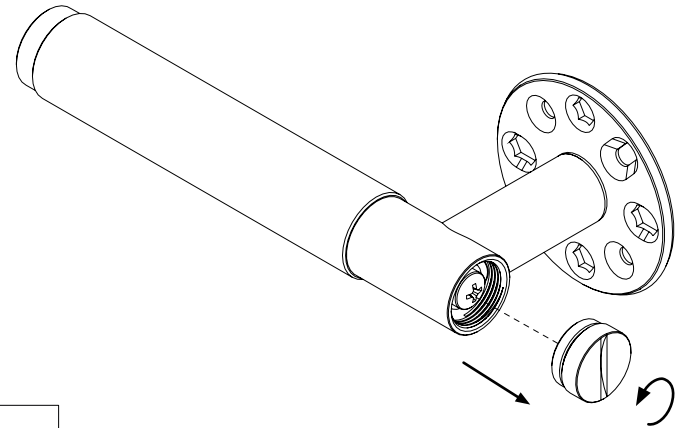
B DOUBLE SIDED



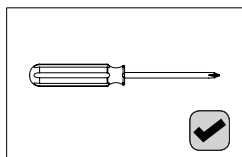
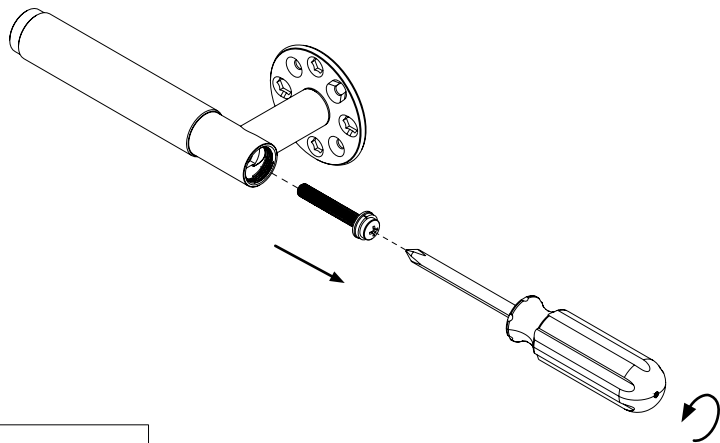
7



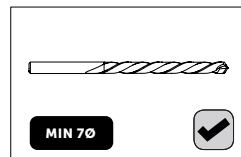
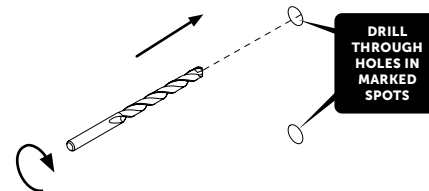
1



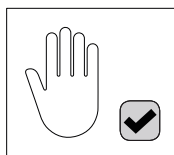
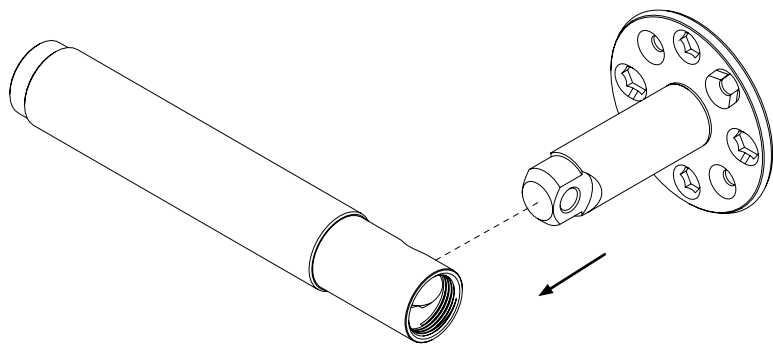
2



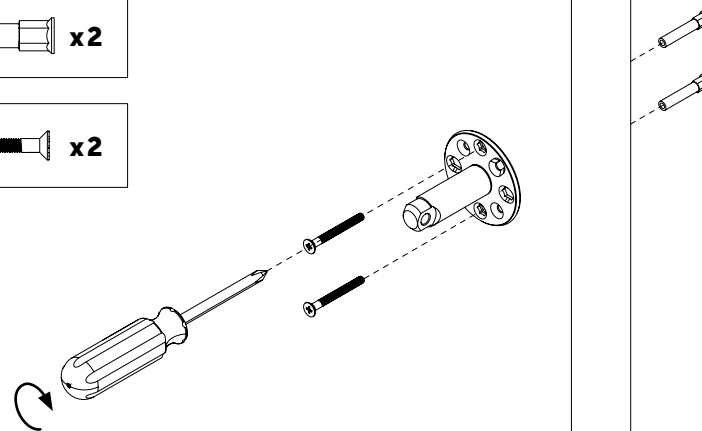
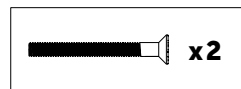
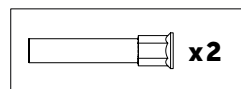
4



3

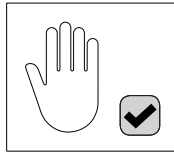
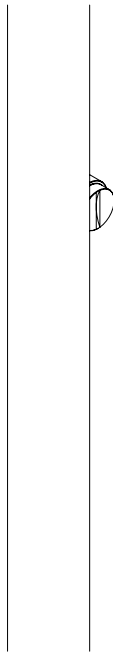
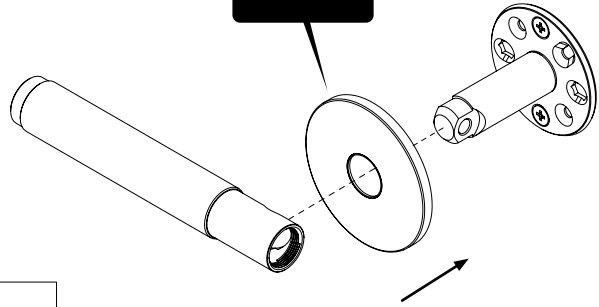


5



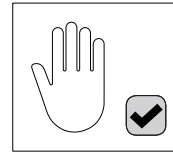
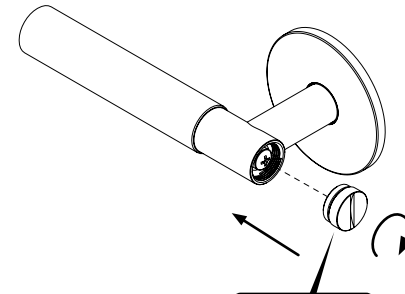
6

DRILL THROUGH  
HOLES IN  
MARKED SPOTS

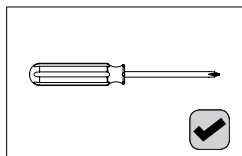
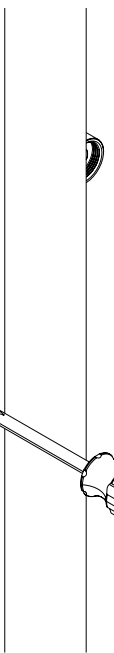
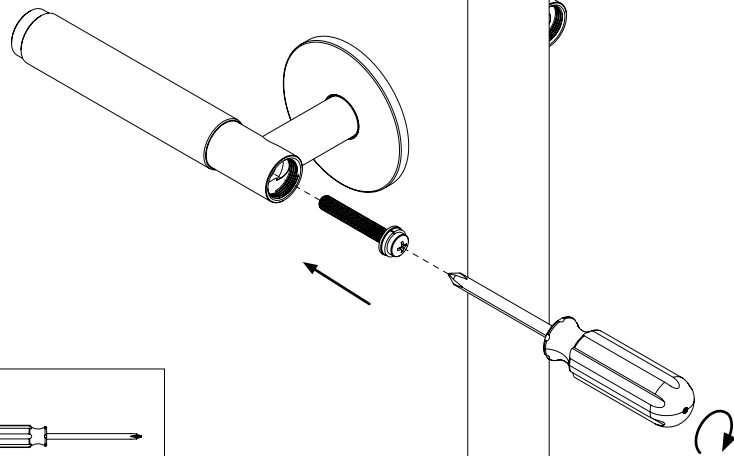


8

REPEAT STEP FOR  
BOTH SIDES



7



[end. ORDINARY ]