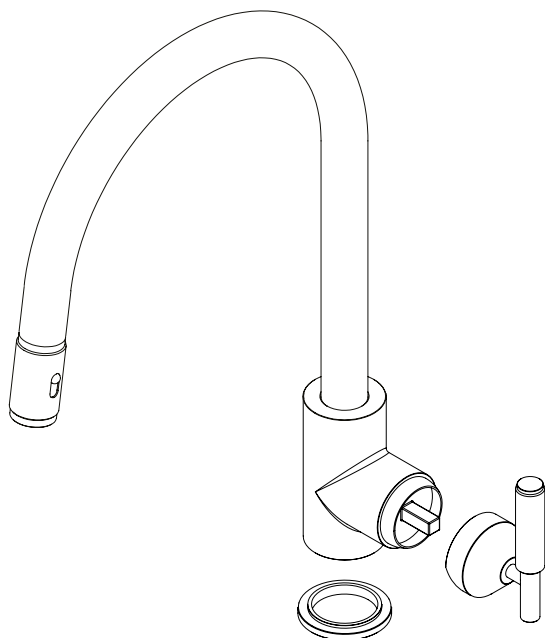


BUSTER + PUNCH
LONDON

**KITCHEN FAUCET /
MIXER WITH DUAL SPRAY PULL OUT**

PREPARATION AND INSTALLATION
INSTALLATION MANUAL / US



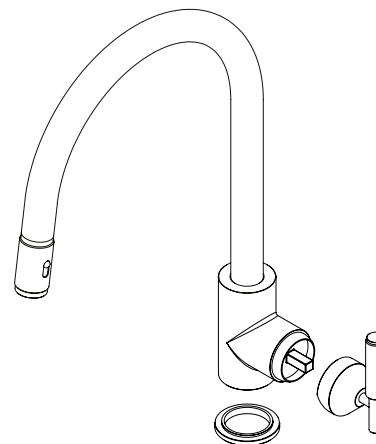
**DISCLAIMER: THIS PRODUCT IS NOT
SUITABLE FOR COMMERCIAL USE.**

BUSTERANDPUNCH.COM/US

MINIMUM RECOMMENDED WATER PRESSURE: 7.25PSI (0.5 BAR)
MAXIMUM RECOMMENDED WATER PRESSURE: 72PSI (5 BAR)
RECOMMENDED HOT WATER TEMPERATURE: 70°C (158°F)
RECOMMENDED TEMPERATURE RANGE: 5 - 60°C (41 - 140°F)



NOTE: EXCEEDING THESE TEMPERATURES OR WATER PRESSURES CAN RESULT IN DAMAGE TO THE TAP. A PRESSURE REDUCING VALVE MAY BE REQUIRED TO BE FITTED IN HIGH WATER PRESSURE SITUATIONS.



**NOTE: INSTALLATION INSTRUCTION MANUAL
APPLICABLE FOR US SINGLE MIXER TAPS SUPPLIED
BY BUSTER + PUNCH. PRODUCT VARIATIONS
COVERED BY THIS INSTRUCTION MANUAL ARE
LISTED BELOW:**

*KITCHEN TAP (WARM/COLD) / CROSS / SINGLE MIXER
KITCHEN TAP (WARM/COLD) / LINEAR / SINGLE MIXER*

PREPARATION

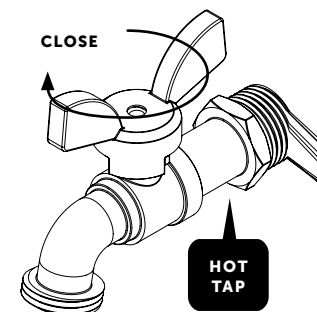
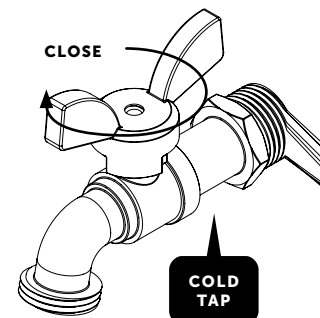
Before installing the new mixer it is essential that you thoroughly flush through the supply pipes in order to remove any remaining impurities.

Failure to carry out this simple procedure could cause problems or damage to the workings of the mixer.

Having first checked all new connections, turn on the mains stopcock, close all taps except the new mixer and as the system starts to refill check for leaks.

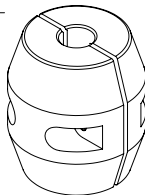
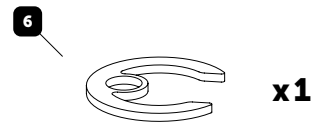
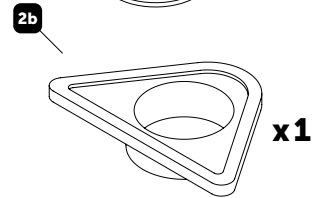
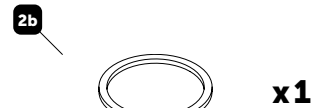
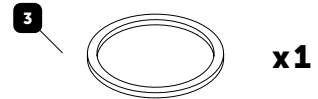
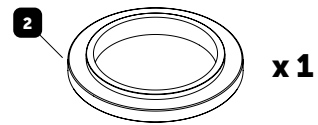
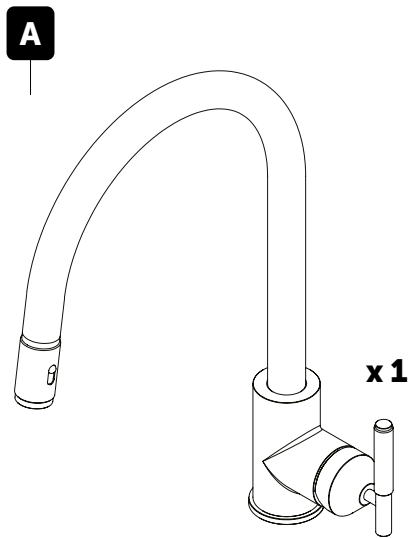
Once you have satisfied yourself that there are no leaks, switch on the water heating.

First shut off your water heating system then, with your mains stopcock closed, open the lowest hot and cold taps in the house and allow to run until the cold storage tank and pipes are empty (the hot water storage cylinder always remains full).



**DISCLAIMER:
PLEASE CONTACT YOUR
LOCAL PLUMBER WHEN
INSTALLING.**

CONTENTS



x2

x1

x1

x1

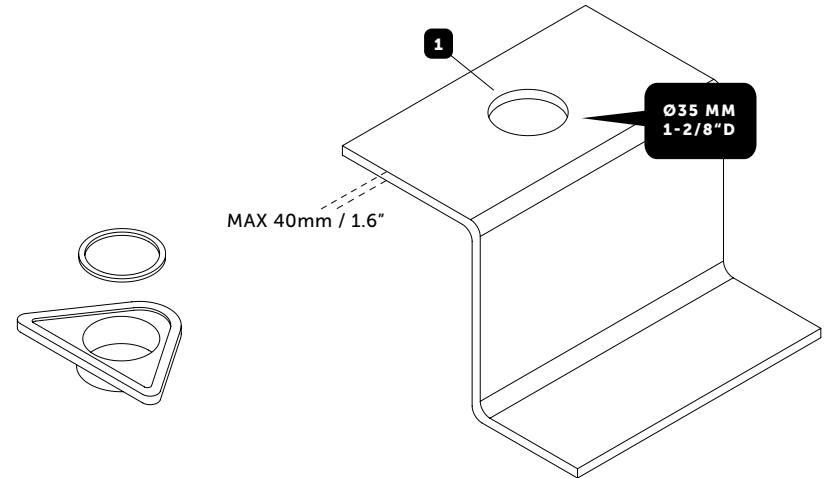
x1

x1

x1

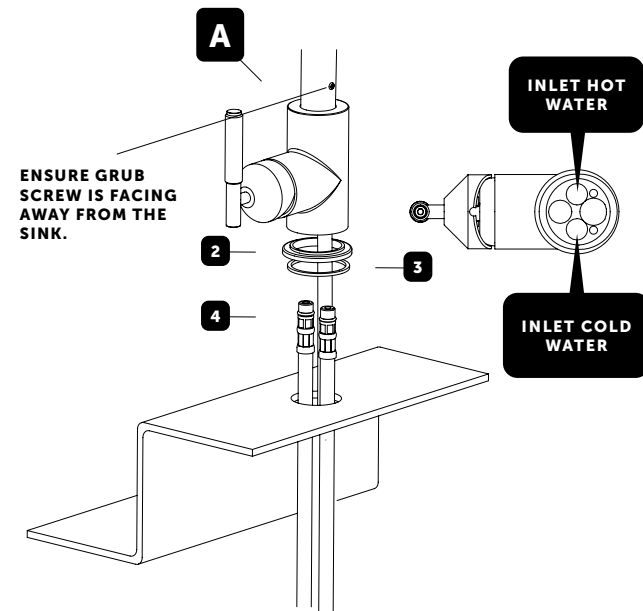
x1

1

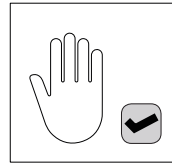
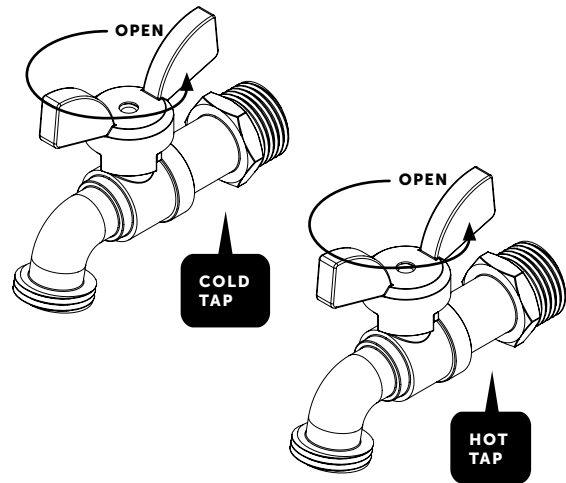


FOR SURFACES <5MM USE THE TAP BRACE & O-RING PROVIDED.

2 a



6



[end. ORDINARY]

7

