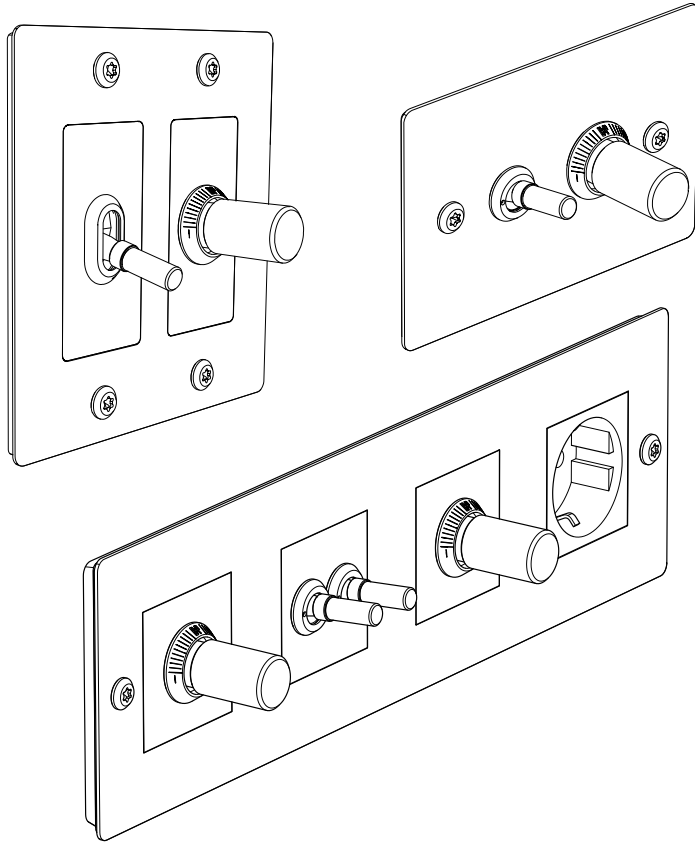


BUSTER + PUNCH
LONDON

ELECTRICITY



BUSTERANDPUNCH.COM
L0216

ENGLISH / CONTENTS

EU ELECTRICITY	2
US ELECTRICITY	6
ANZ ELECTRICITY	9
UK ELECTRICITY	14

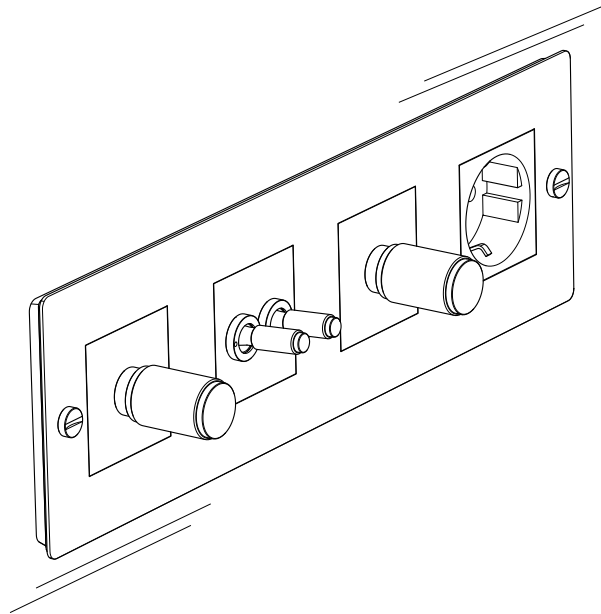
[end. **ORDINARY.**]

BUSTER + PUNCH

LONDON

EU ELECTRICITY

Modular Assembly



BUSTERANDPUNCH.COM
L0216



RECYCLING ELECTRICAL PRODUCTS

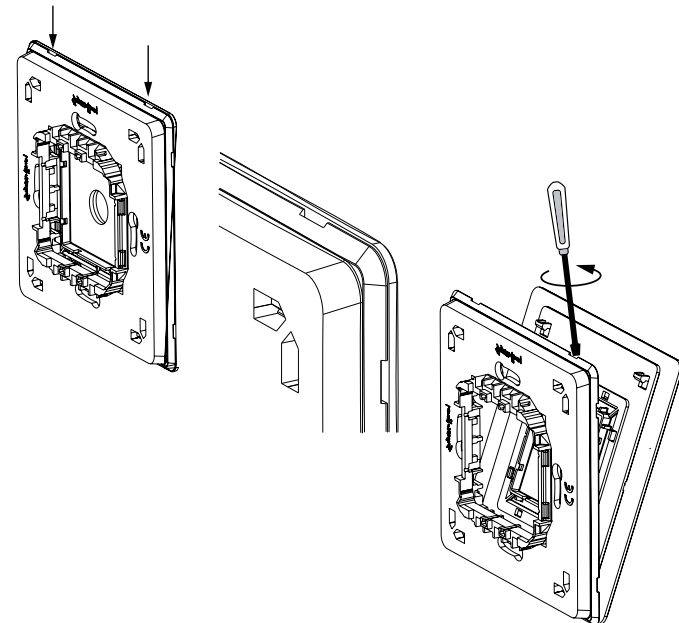
Buster + Punch encourages all of its customers to make note of this symbol and avoid putting any waste electrical goods in your domestic waste bin or container. Please ensure you take your waste electrical goods to a suitable facility for disposal.



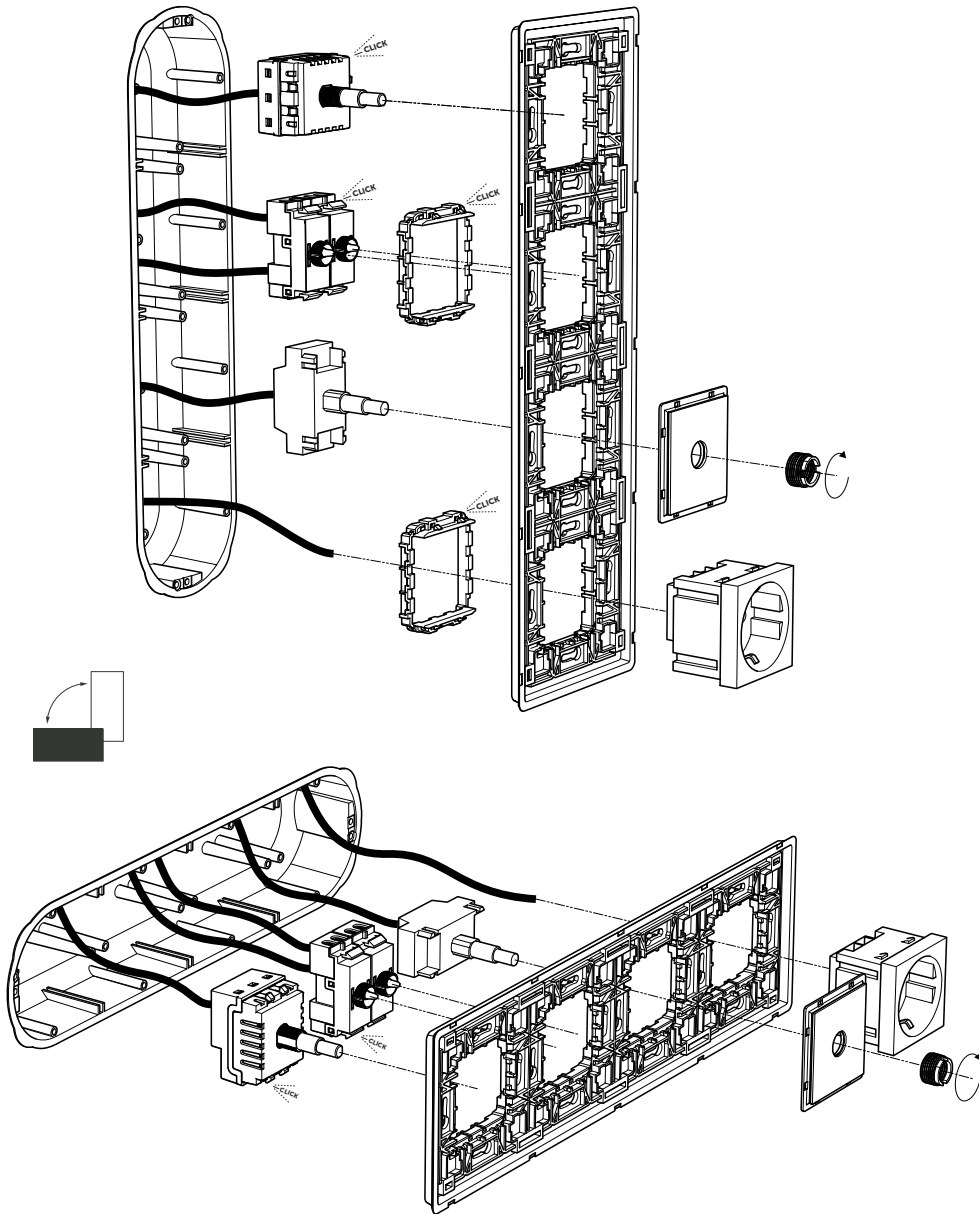
BEFORE COMMENCING WORK, ISOLATE THE MAINS POWER SUPPLY AND REMOVE THE FUSE BOX OR SWITCH OFF THE CIRCUIT BREAKER IN CONSUMER UNIT.



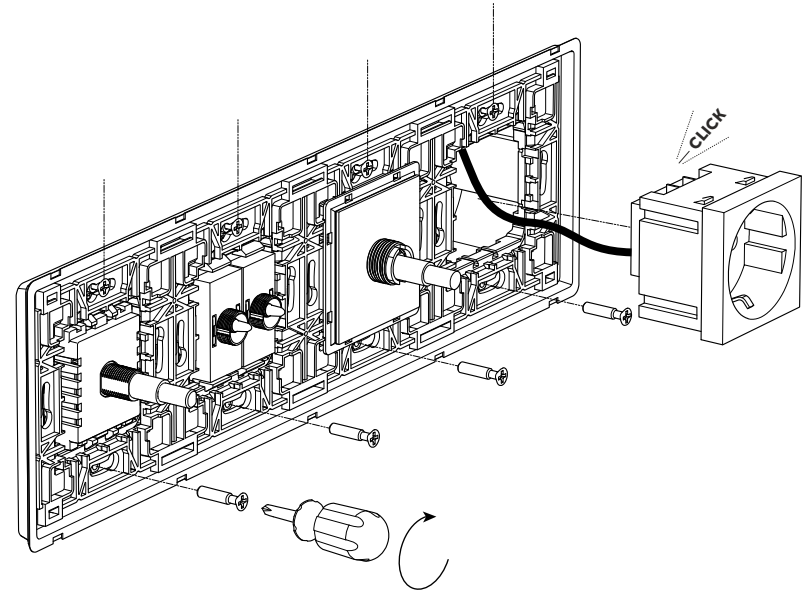
1



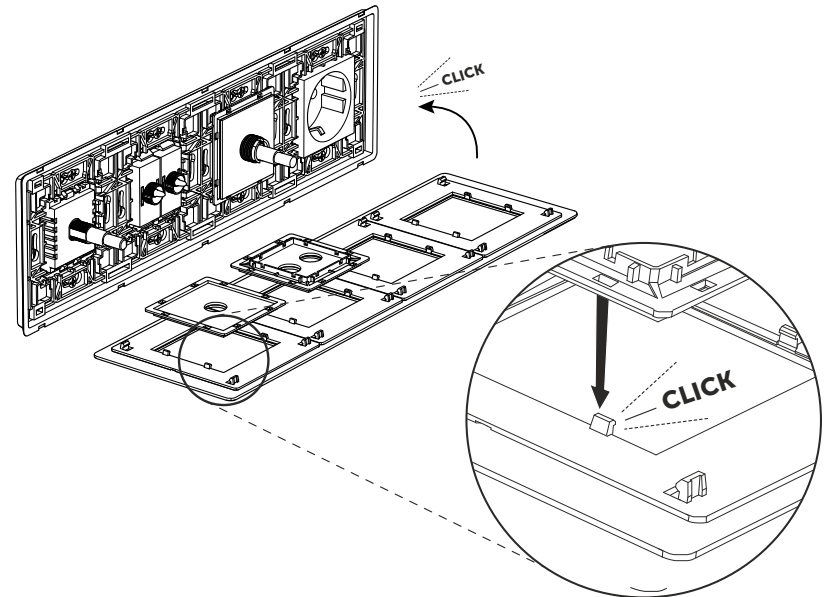
2



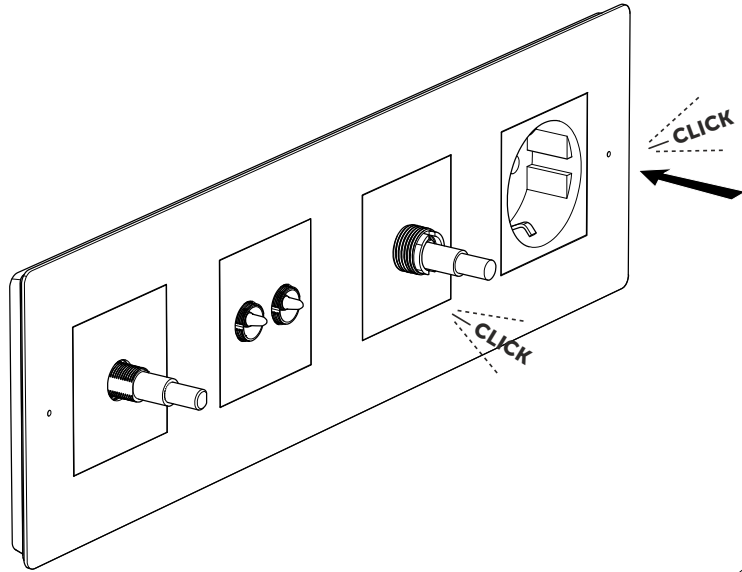
3



4

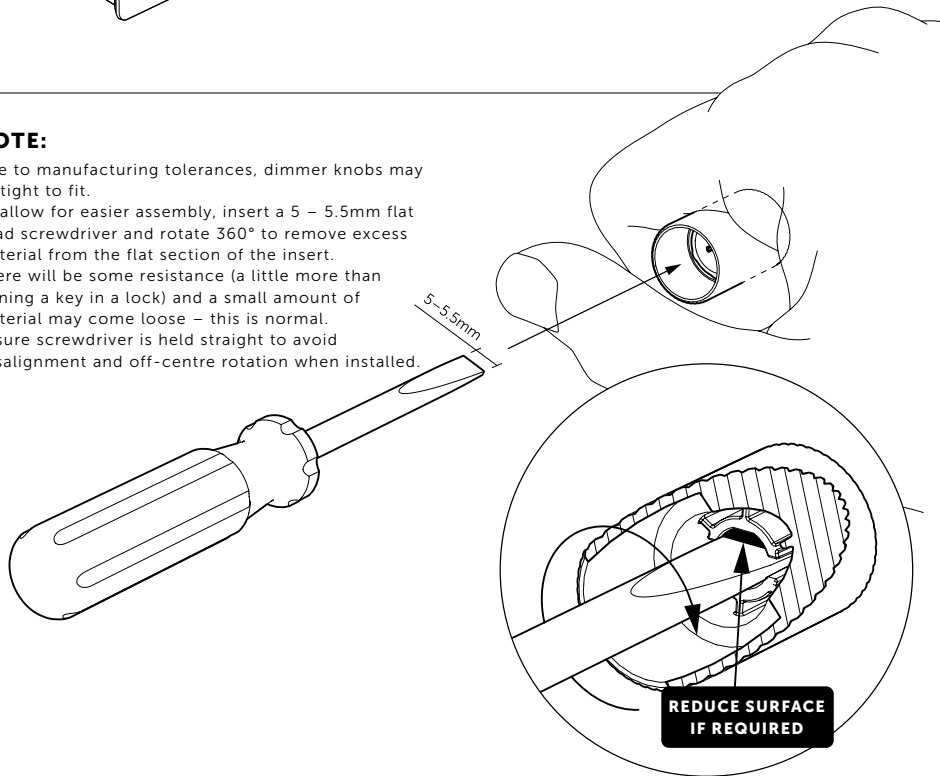


5



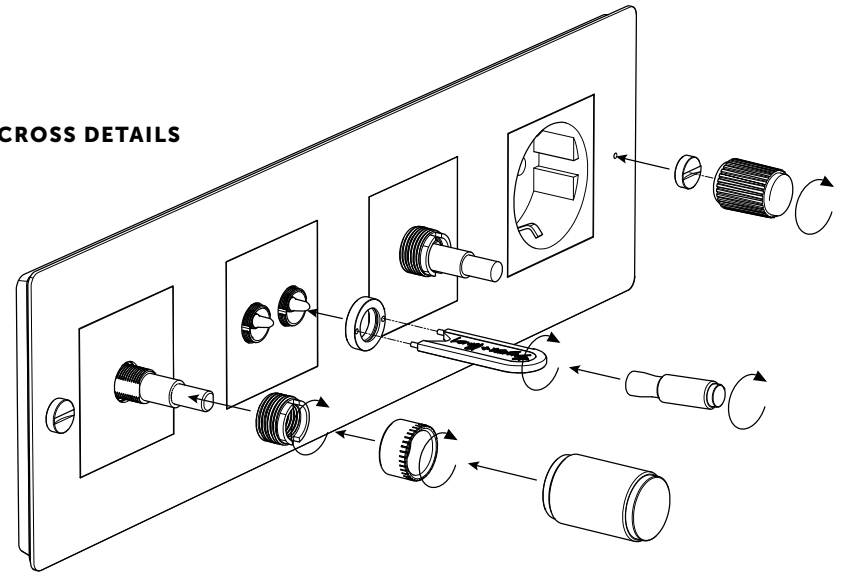
NOTE:

Due to manufacturing tolerances, dimmer knobs may be tight to fit. To allow for easier assembly, insert a 5 – 5.5mm flat head screwdriver and rotate 360° to remove excess material from the flat section of the insert. There will be some resistance (a little more than turning a key in a lock) and a small amount of material may come loose – this is normal. Ensure screwdriver is held straight to avoid misalignment and off-centre rotation when installed.

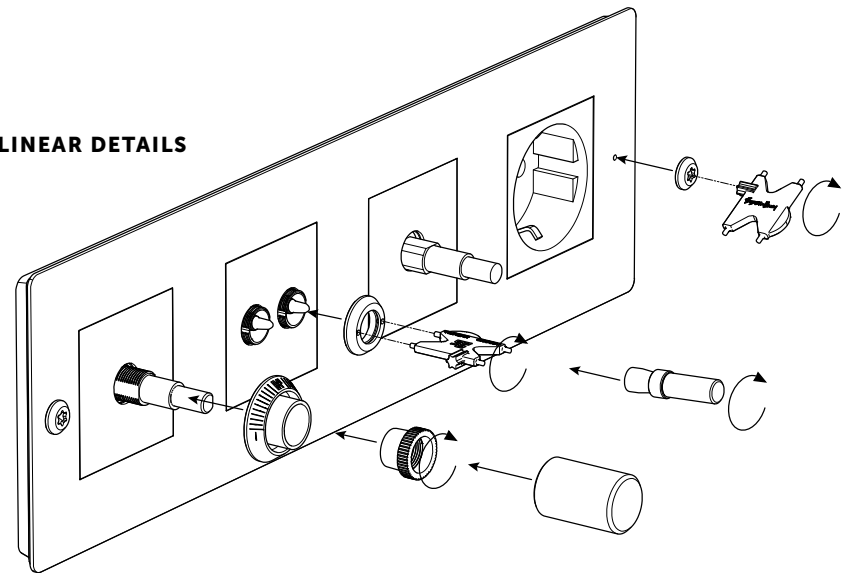


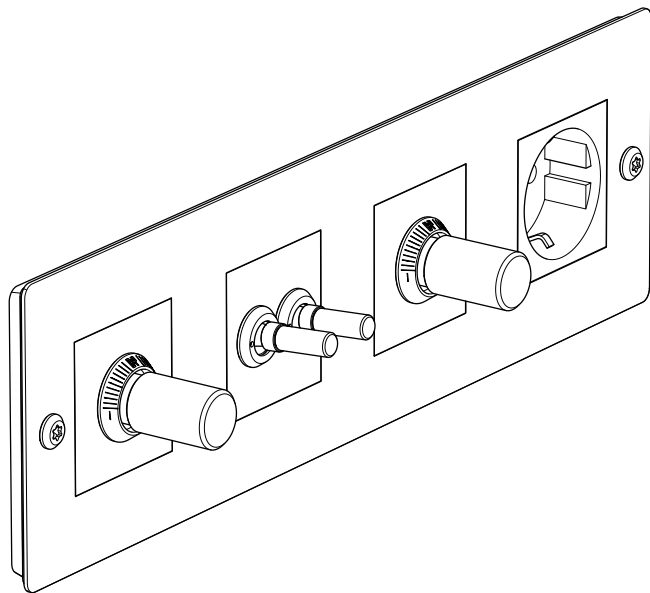
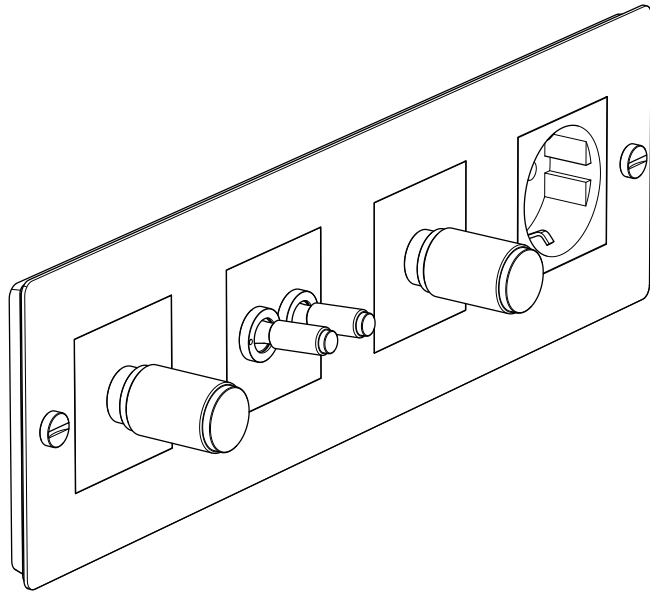
6

CROSS DETAILS



LINEAR DETAILS





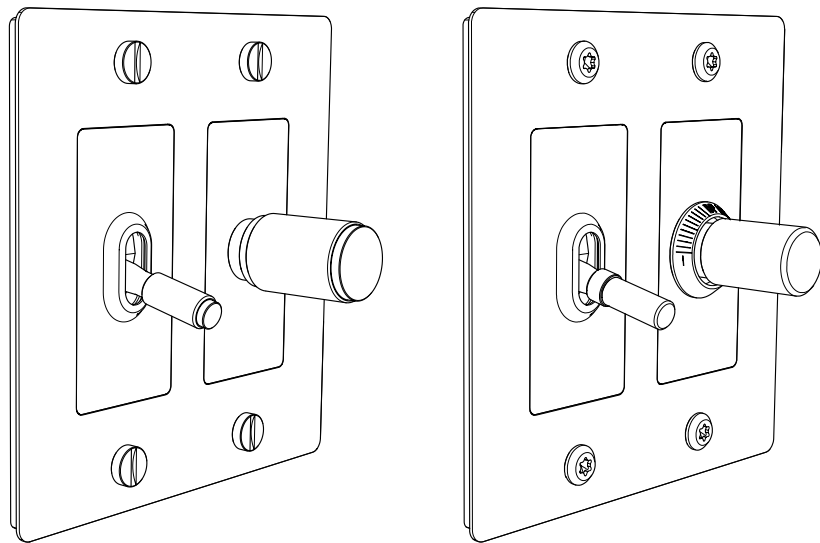
[end. **ORDINARY.**]

BUSTER + PUNCH
LONDON

US ELECTRICITY

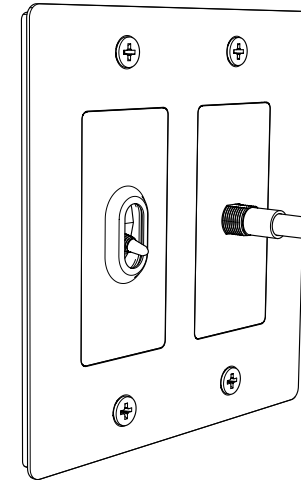
CROSS / LINEAR
DETAILS KIT

INSTRUCTION MANUAL US
MANUEL D'UTILISATION É.-U.
MANUAL DE INSTRUCCIONES (EE. UU.)



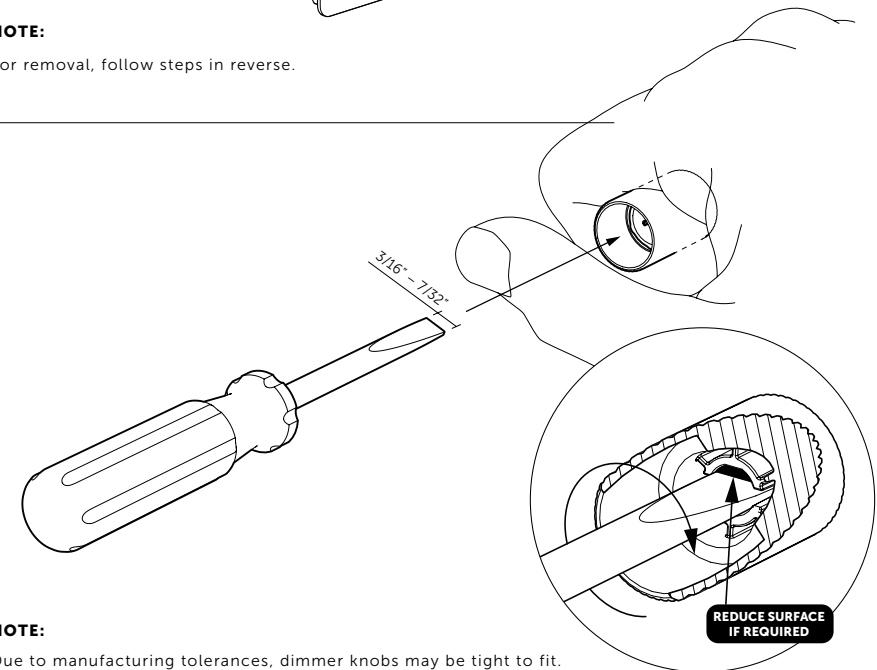
US.BUSTERANDPUNCH.COM
L0260

For wiring and plate installation, refer to module instruction manual.



NOTE:

For removal, follow steps in reverse.



NOTE:

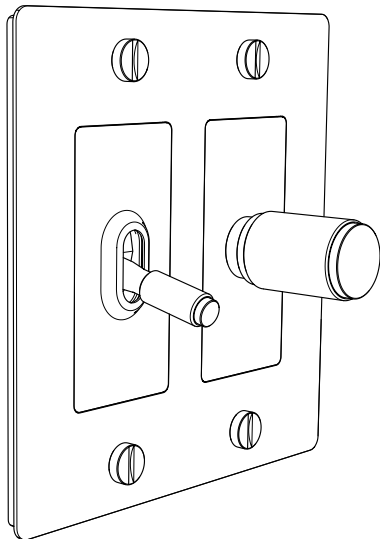
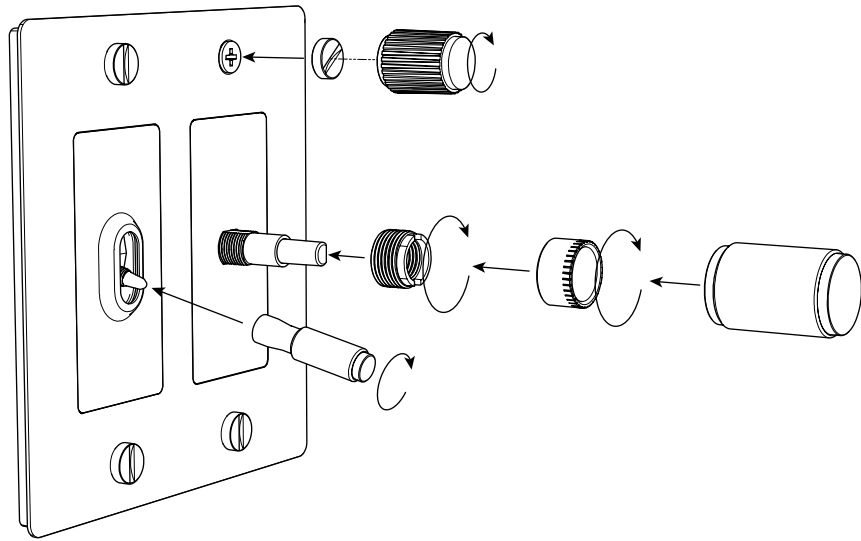
Due to manufacturing tolerances, dimmer knobs may be tight to fit.

To allow for easier assembly, insert a 3/16" - 7/32" (5 - 5.5mm) flat head screwdriver and rotate 360° to remove excess material from the flat section of the insert.

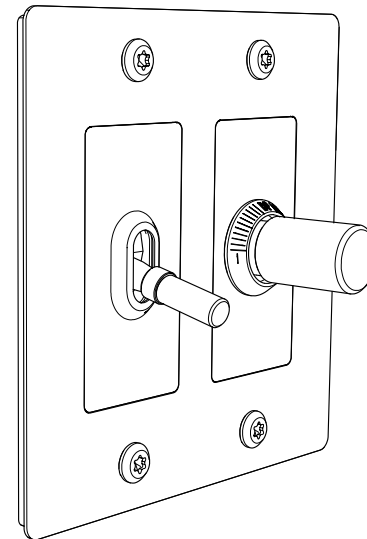
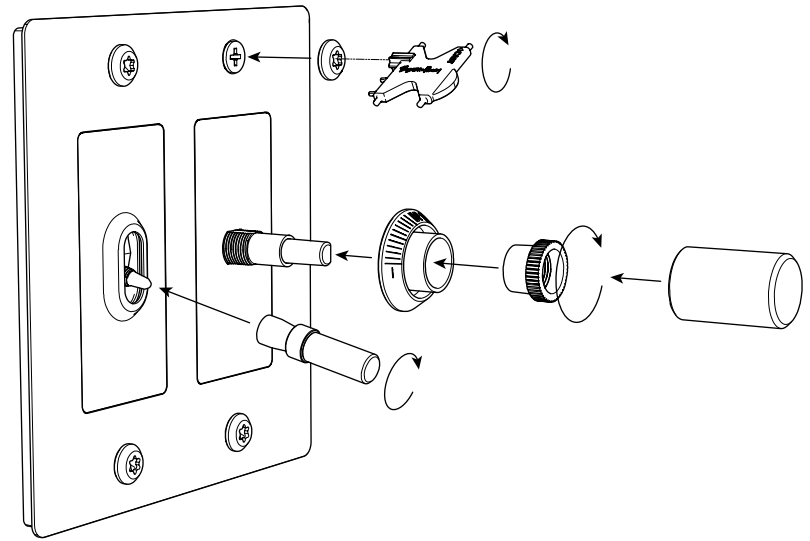
There will be some resistance (a little more than turning a key in a lock) and a small amount of material may come loose - this is normal.

Ensure screwdriver is held straight to avoid misalignment and off-center rotation when installed.

CROSS DETAILS:



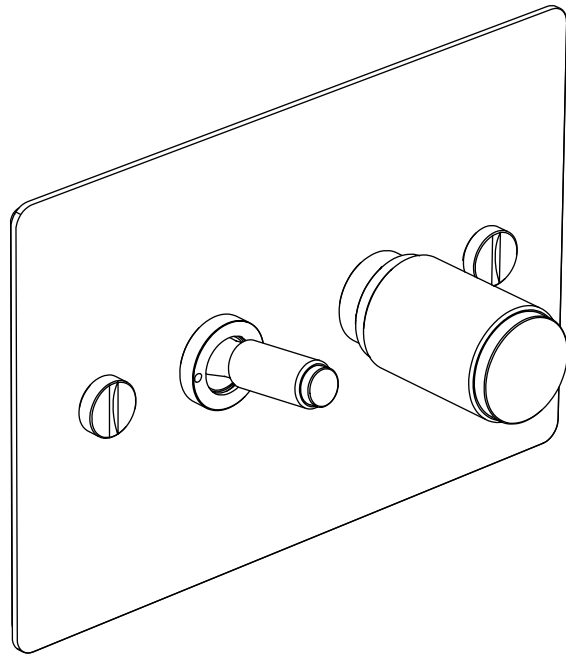
LINEAR DETAILS:



[end. **ORDINARY**]

**ANZ ELECTRICITY
MODULAR ASSEMBLY**

PREPARATION AND INSTALLATION
INSTALLATION MANUAL



BUSTERANDPUNCH.COM/AU
L0261

EN

TECHNICAL SPECIFICATION

ANZ MODULAR ELECTRICITY

FOR USE IN ANZ REGION / 250V AC / CLASS II

IMPORTANT NOTES

MANUAL FOR COMPONENT ASSEMBLY AND INSTALLATION ONLY - FOR WIRING, SEE RELEVANT MODULE MANUAL.

READ BEFORE INSTALLATION

1. All wiring and installation must adhere to the latest local and national regulations.
2. Must be installed by a competent and qualified Electrician.
3. Indoor use only. Not for use in wet/damp environments or in places which have condensing humidity.
4. To reduce the risk of discoloration or tarnishing, avoid installation on wet plaster.



Switches
AS 3133:2020
AS/NZS 3100:2022

Dimmers
AS 60669.2.1:2020
AS/NZS 60669.1:2020

WARRANTY INFORMATION

The warranty period extends two (2) years from the date of the original purchase.

RECYCLING ELECTRICAL PRODUCTS

Buster and Punch encourages all its customers to make note of this symbol and avoid putting any waste electrical goods in your domestic waste bin or container. Please ensure you take your waste electrical goods to a suitable facility for disposal.

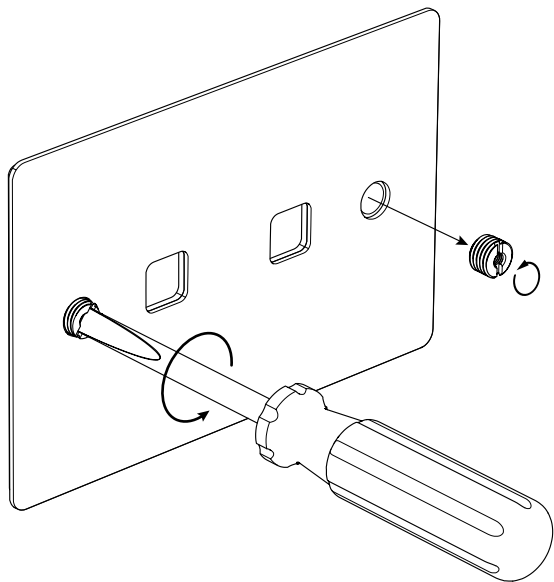


**BEFORE COMMENCING WORK, ISOLATE THE MAINS
POWER SUPPLY AT CIRCUIT BREAKER.**

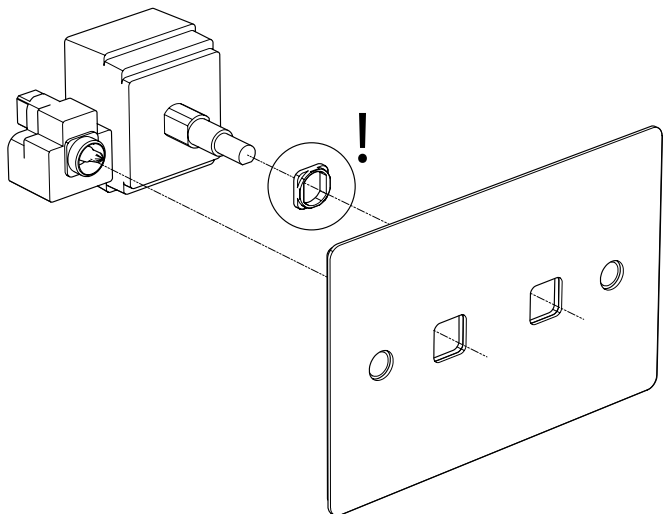


CAUTION:
Verify power supply is OFF before proceeding.

1 UNSCREW SCREW ISOLATORS USING A FLAT HEAD SCREWDRIVER (4–6MM).



2 INSERT ELECTRICITY MODULES IN DESIRED CONFIGURATION.



NOTE - make sure to install anti-rotation adapter on dimmer modules to stop. Module working loose over time (part included with dimmer modules)

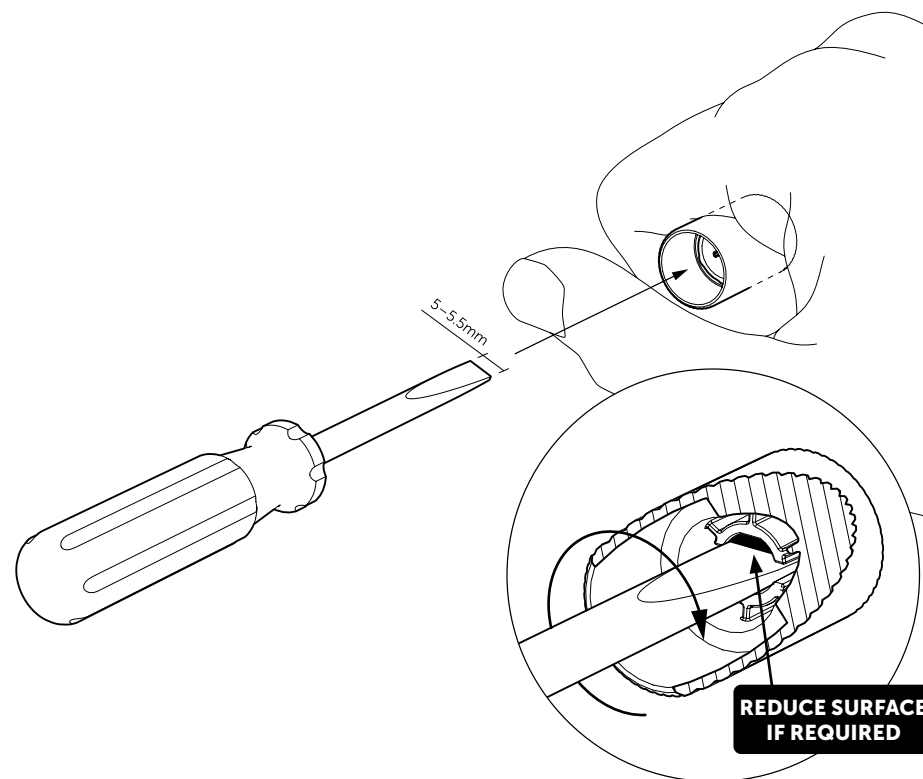
NOTE FOR ASSEMBLY OF DIMMER KNOBS.

Due to manufacturing tolerances, dimmer knobs may be tight to fit.

To allow for easier assembly, insert a 5 – 5.5mm flat head screwdriver and rotate 360° to remove excess material from the flat section of the insert.

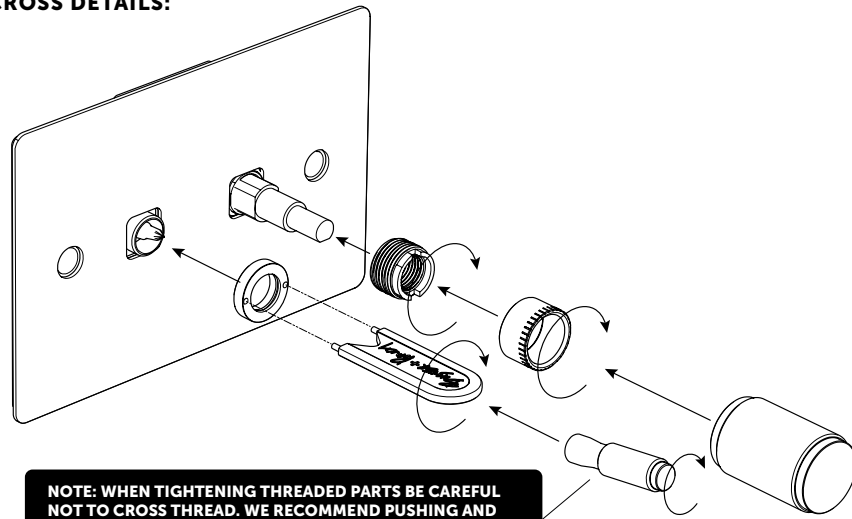
There will be some resistance (a little more than turning a key in a lock) and a small amount of material may come loose – this is normal.

Ensure screwdriver is held straight to avoid misalignment and off-centre rotation when installed.



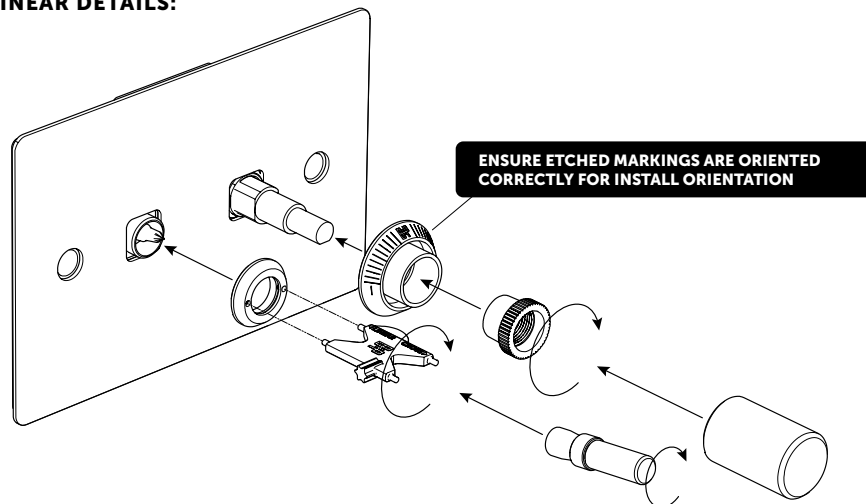
3 ATTACH DETAILS KITS USING TOOLS PROVIDED.

CROSS DETAILS:



NOTE: WHEN TIGHTENING THREADED PARTS BE CAREFUL NOT TO CROSS THREAD. WE RECOMMEND PUSHING AND ROTATING THE PART ANTICLOCKWISE UNTIL YOU FEEL A CLICK, THEN TIGHTEN CLOCKWISE FINGER TIGHT.

LINEAR DETAILS:



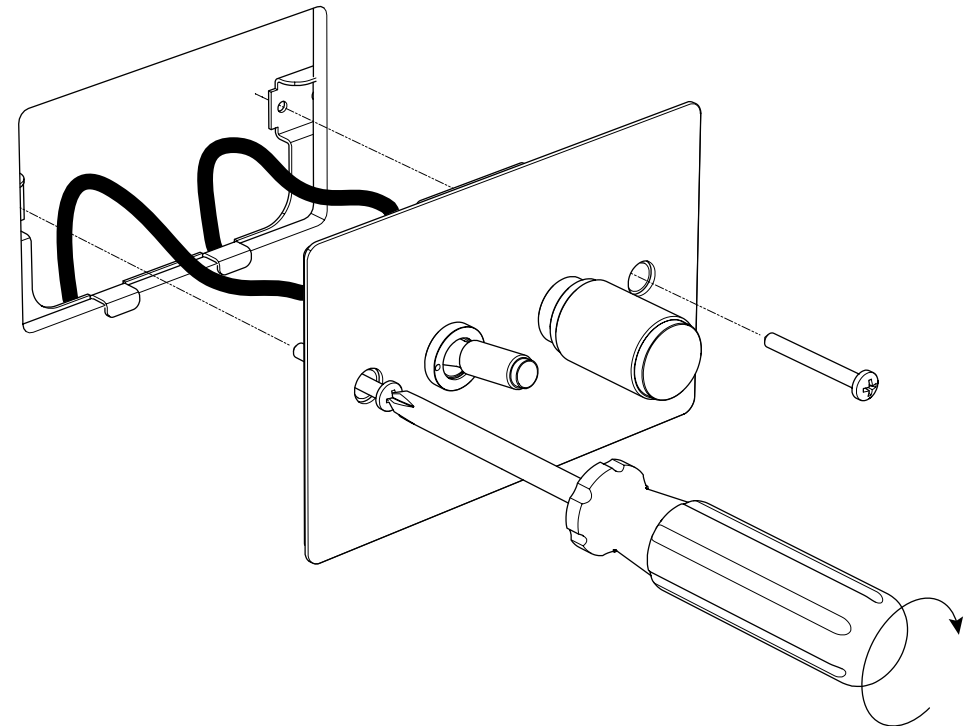
ENSURE ETCHED MARKINGS ARE ORIENTED CORRECTLY FOR INSTALL ORIENTATION

4 CONNECT WIRING USING RELEVANT MODULE INSTRUCTION MANUAL AND WIRING DIAGRAMS.

Push the assembled unit into the wall, making sure that no wires become trapped.

Use a cross head screwdriver to fit the unit to the mounting box/bracket using the supplied fixing screws.

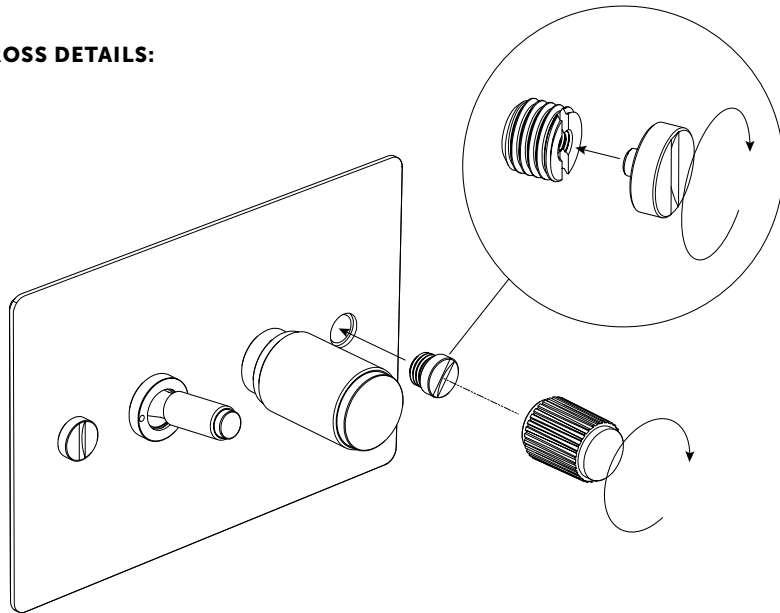
Buster and punch plates are designed to fit standard mounting boxes and plaster clip brackets.



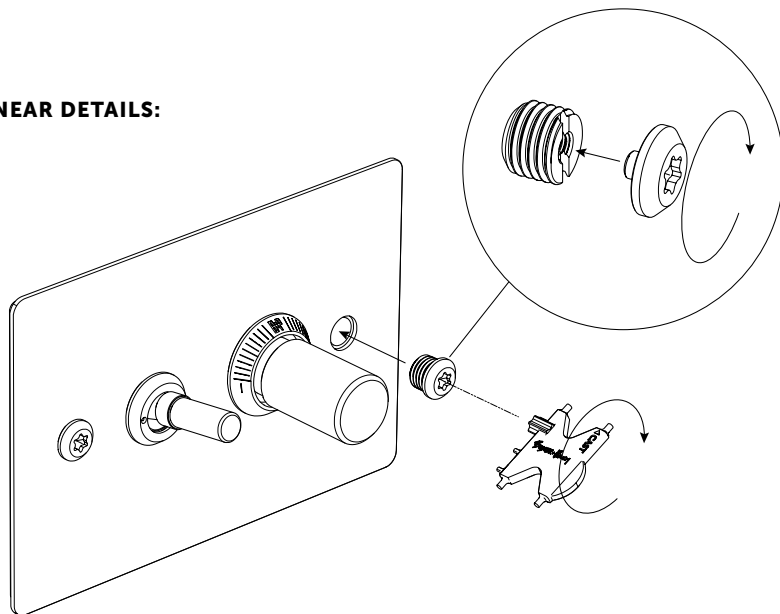
CAUTION:
Verify power supply is OFF before proceeding.

5 FIT SCREW CAPS TO ISOLATOR PLUGS AS SHOWN, AND FIT TO PLATE USING TOOL PROVIDED.

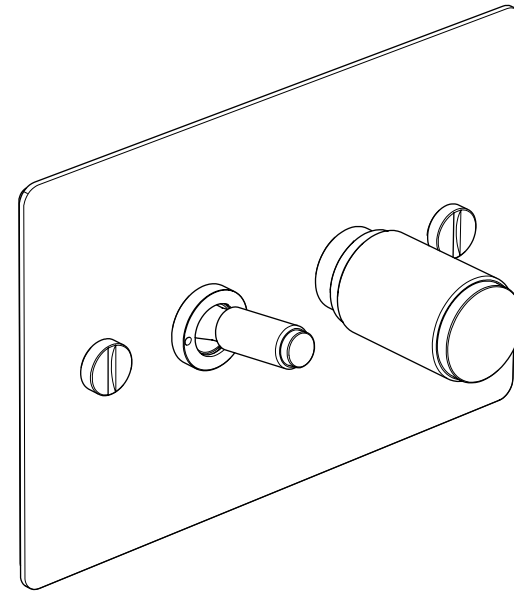
CROSS DETAILS:



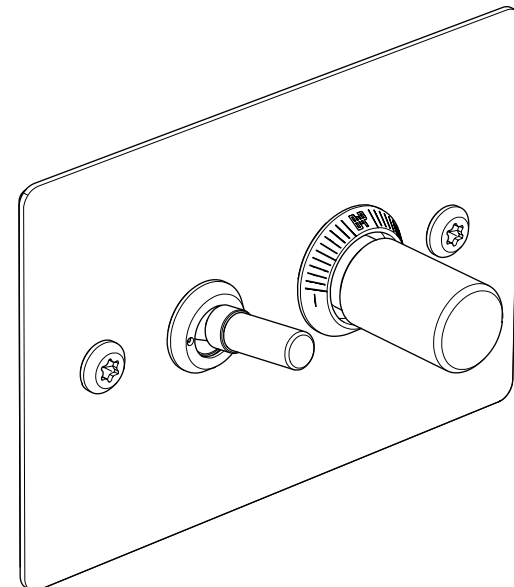
LINEAR DETAILS:



CROSS DETAILS:



LINEAR DETAILS:



6 ONCE SAFELY FITTED, RECONNECT THE MAINS SUPPLY AT THE CIRCUIT BREAKER.

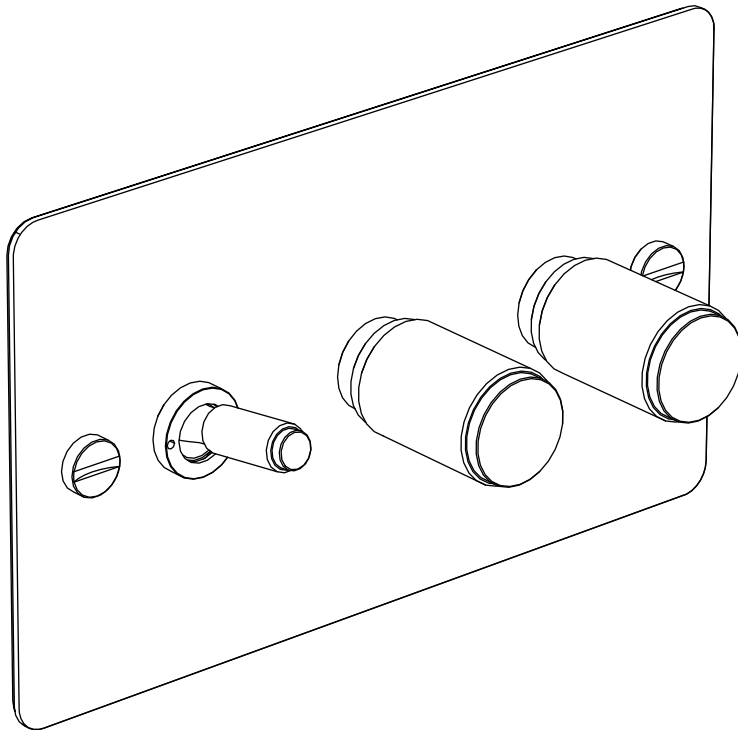


[end. **ORDINARY**]



**UK ELECTRICITY
MODULAR ASSEMBLY**

PREPARATION AND INSTALLATION
INSTALLATION MANUAL



BUSTERANDPUNCH.COM/UK

EN

TECHNICAL SPECIFICATION

UK MODULAR ELECTRICITY
FOR USE IN UK REGION / 230-240V AC

IMPORTANT NOTES

MANUAL FOR COMPONENT ASSEMBLY AND INSTALLATION ONLY - FOR WIRING, SEE RELEVANT MODULE MANUAL.

READ BEFORE INSTALLATION

1. All wiring and installation must adhere to the latest local and national regulations.
2. We recommend that all products are installed by a competent and qualified Electrician.
3. Indoor use only. Not for use in wet/damp environments or in places which have condensing humidity.
4. To reduce the risk of discoloration or tarnishing, avoid installation on wet plaster.

WARRANTY INFORMATION

The warranty period extends two (2) years from the date of the original purchase.

RECYCLING ELECTRICAL PRODUCTS

Buster and Punch encourages all its customers to make note of this symbol and avoid putting any waste electrical goods in your domestic waste bin or container. Please ensure you take your waste electrical goods to a suitable facility for disposal.



**BEFORE COMMENCING WORK, ISOLATE THE MAINS
POWER SUPPLY AT CIRCUIT BREAKER.**

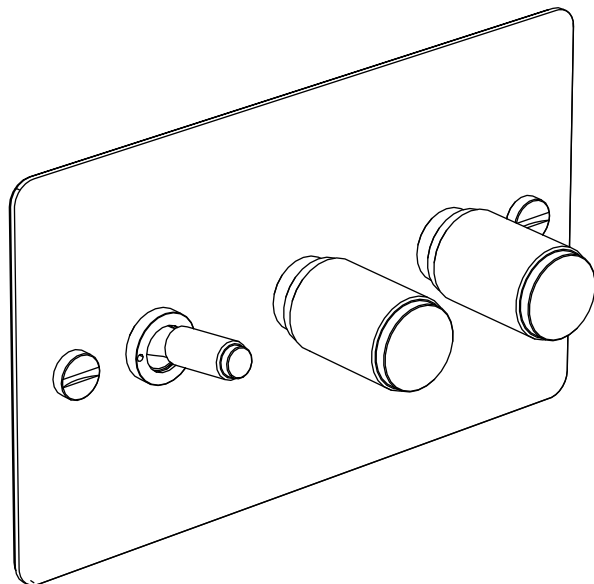
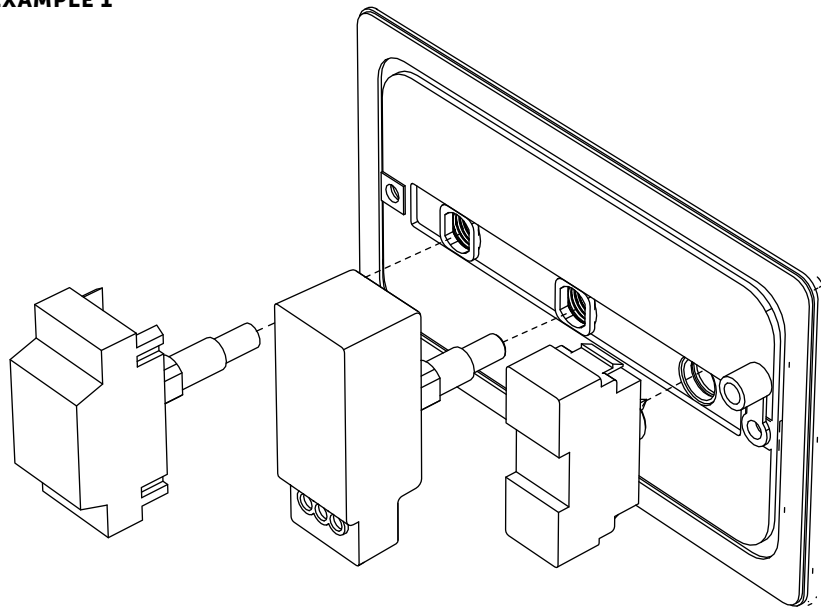


CAUTION:
Verify power supply is OFF before proceeding.

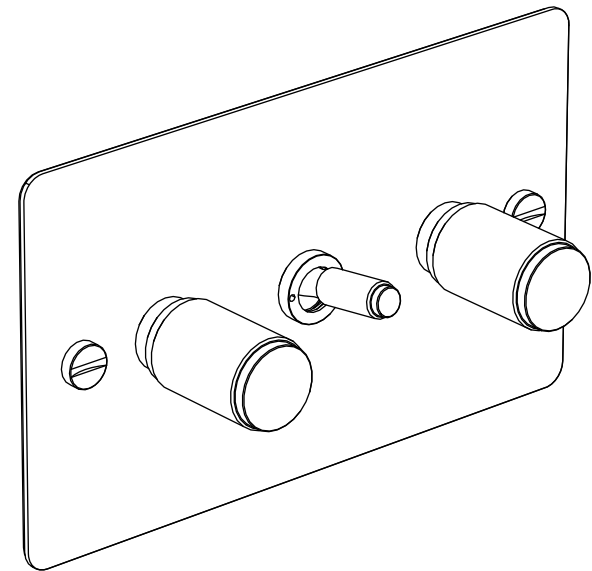
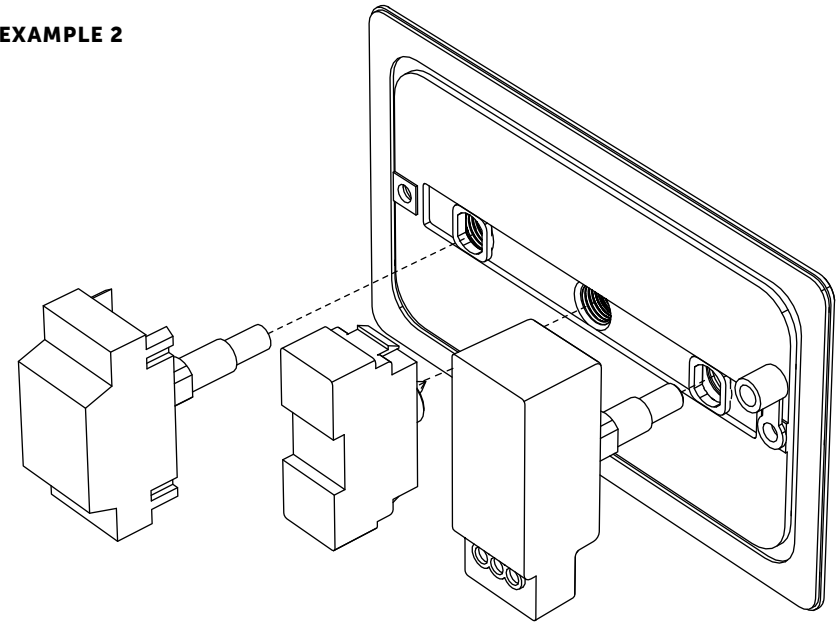


NOTE - make sure to install anti-rotation adapter on dimmer modules to stop the module working loose over time (part included with dimmer modules)

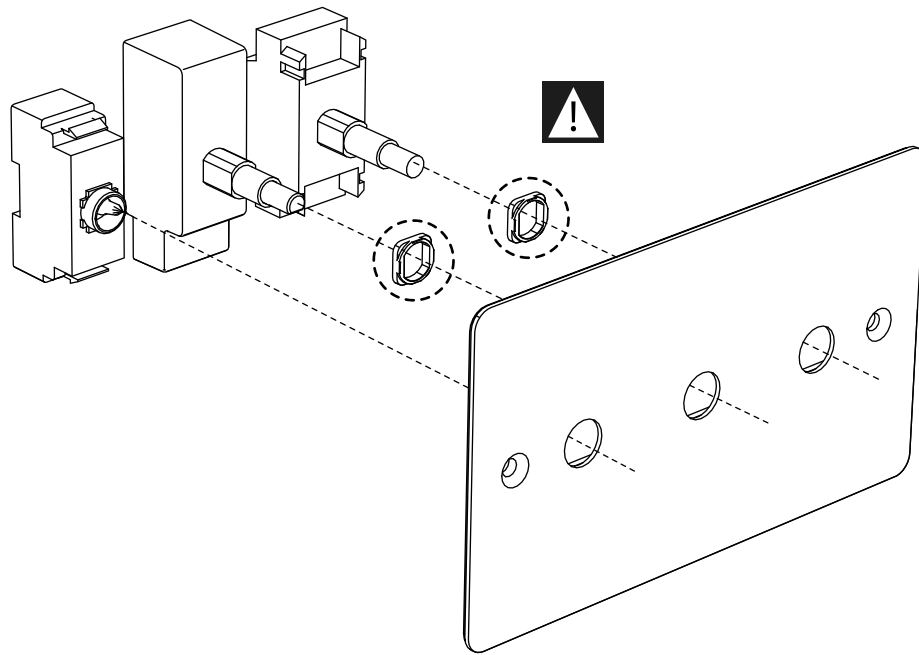
EXAMPLE 1



EXAMPLE 2



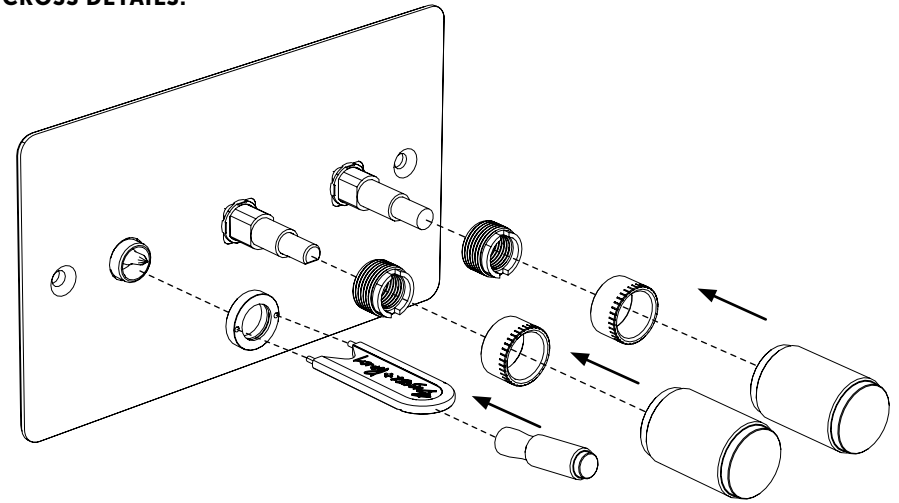
1 INSERT ELECTRICITY MODULES IN DESIRED CONFIGURATION



NOTE - make sure to install anti-rotation adapter on dimmer modules to stop the module working loose over time (part included with dimmer modules)

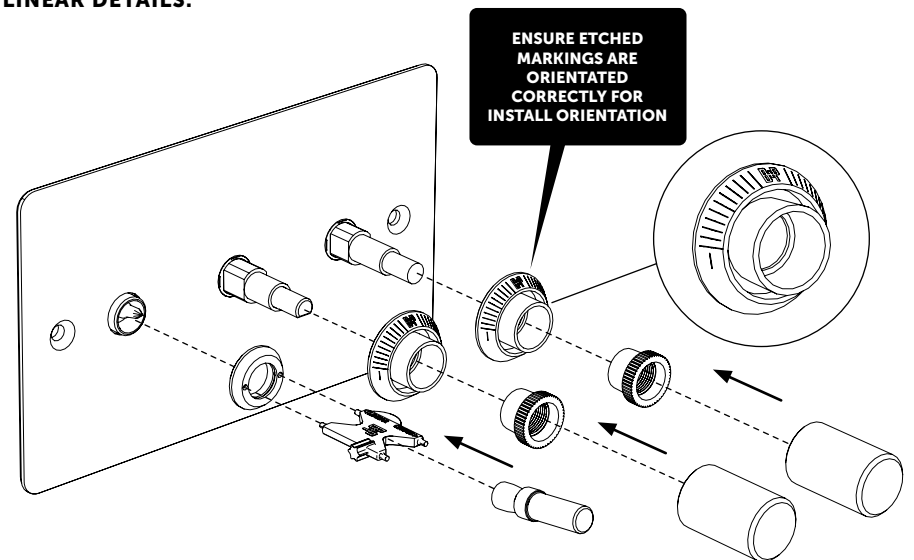
2 ATTACH DETAIL KITS USING TOOLS PROVIDED

CROSS DETAILS:



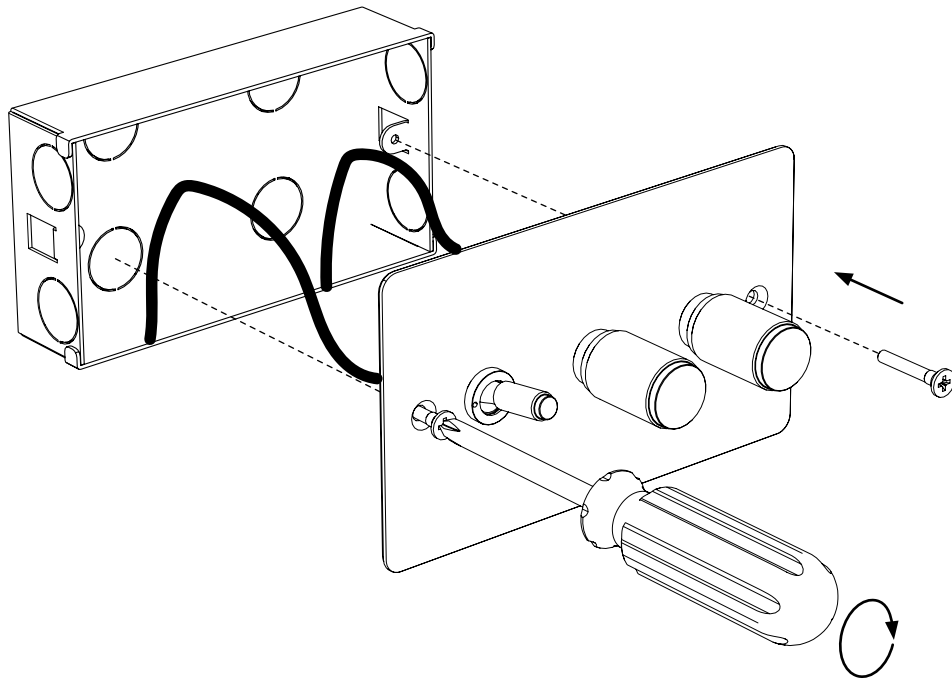
NOTE - When tightening threaded parts be careful not to cross thread. We recommend pushing and rotating the part, with the tool provided, anticlockwise until you feel a click, then tighten clockwise finger tight.

LINEAR DETAILS:



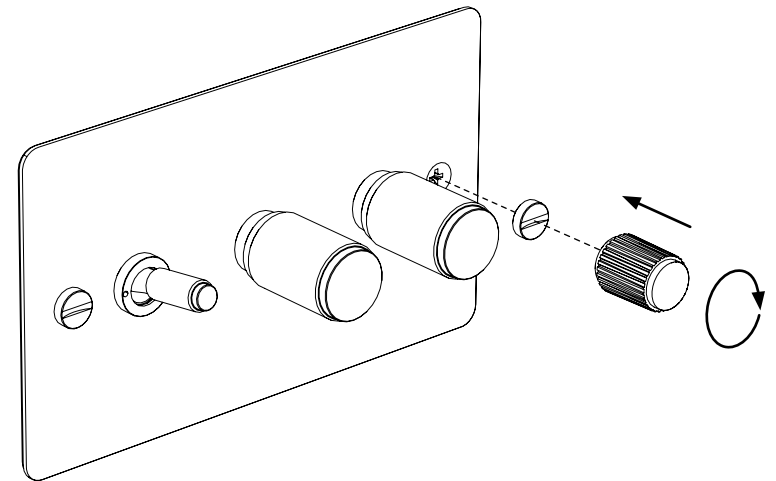
3 CONNECT WIRING USING RELEVANT MODULE INSTRUCTION MANUAL AND WIRING DIAGRAMS.

Push the assembled unit into the wall, making sure that no wire becomes trapped.
Use a cross head screwdriver to fit the unit to the mounting box/ bracket using the supplied fixing screws.
Buster and Punch plates are designed to fit standard mounting boxes and plaster clip brackets.

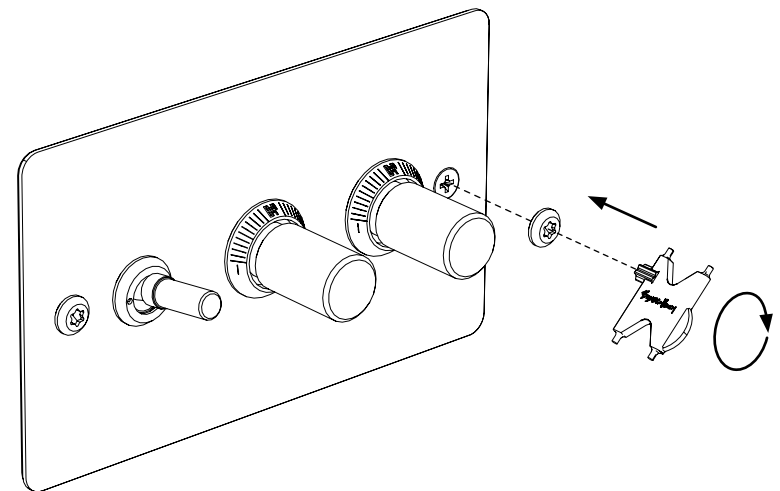


4 FIT SCREW CAPS TO COUNTERSUNK SCREWS USING THE TOOL PROVIDED

CROSS DETAILS:

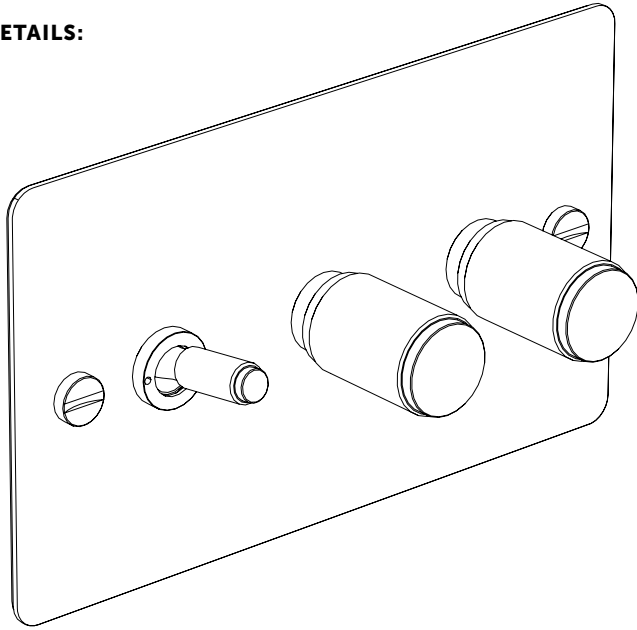


LINEAR DETAILS:

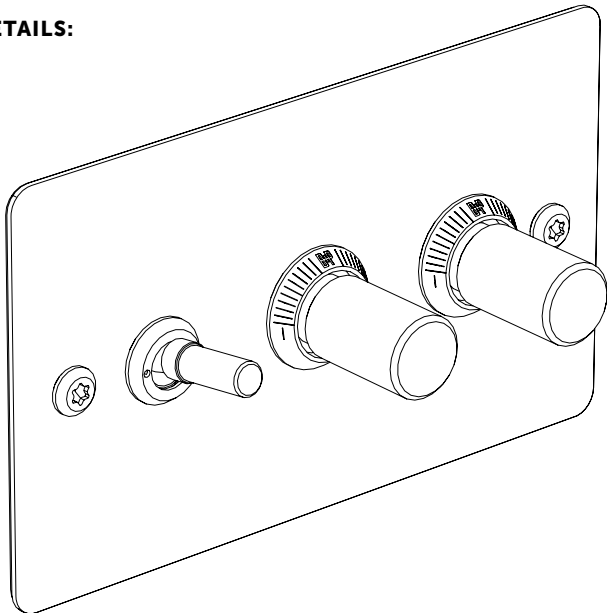


CAUTION: Verify power supply is OFF before proceeding

CROSS DETAILS:



LINEAR DETAILS:



5 ONCE SAFELY FITTED, RECONNECT THE MAINS SUPPLY AT THE CIRCUIT BREAKER.

