

BUSTER + PUNCH

LONDON



[ range. **CUSTOM ELECTRICITY.** ]

# BUSTER+PUNCH

LONDON

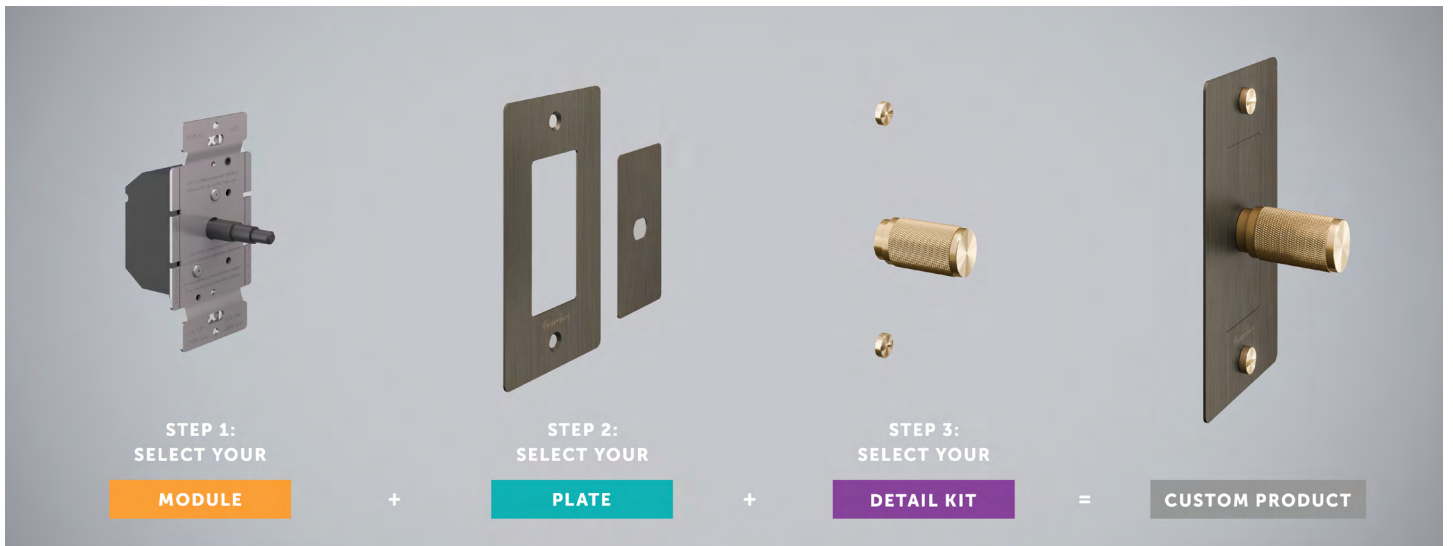
[ product.

## AMERICAN CUSTOM ELECTRICITY. ]

Buster + Punch's Electricity collection is a one-stop solution that effortlessly ties together entire spaces, homes and contract interiors. The units feature a flat plate and are crowned with our trademark coin screws and diamond-cut knurled knobs and toggles – for unrivalled tactility.

Select from complete solid metal fixtures in white, steel, brass, smoked bronze and black with additional detail kits for customisation. The range is optimised, fully engineered and code approved for American residential and contract applications.

[ how. **CREATE YOUR OWN CUSTOM SWITCH, DIMMER OR MODULE DESIGNS.** ]



### CONTENTS

ELECTRICITY / 1G-4G PLATE / METAL / WITH LOGO	3
ELECTRICITY / 1G-4G PLATE / METAL / WITHOUT LOGO	8
ELECTRICITY / 1G-4G PLATE / POLYCARB	13
SWITCH MODULES	18
DIMMER MODULES	19
SOCKET MODULES	20
DETAL KITS	21
FAQ	22

### EXAMPLE



#### MODULE

[ module. **2 X TOGGLE.** ]  
[ module. **DIMMER.** ]  
[ module. **OUTLET.** ]

#### PLATE

[ plate. **4G SMOKED BRONZE.** ]

#### DETAIL KIT

[ detail kit. **2 X TOGGLE / BRASS.** ]  
[ detail kit. **1 X DIMMER / BRASS.** ]  
[ detail kit. **1 X OUTLET / BRASS.** ]

# BUSTER+PUNCH

LONDON

[ product. ]

## ELECTRICITY / 1G-4G PLATE / METAL / WITH LOGO

[ with. **INFILLS.** ]

[ detail. **COIN SCREW.** ]

[ born. **LONDON.** ]

[ region. **NORTH AMERICA.** ]

Decorative cover plate sets in a variety of quality finishes, complete with flush fitting infills. Designed to be completed with range of module inserts to suit a broad spectrum of requirements for lighting control, power supply and device charging. Always finish with our signature details kit & coin screws.



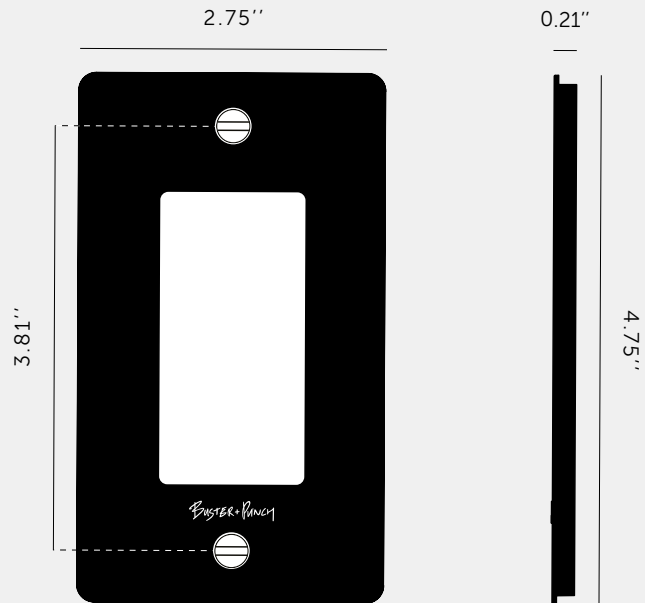
---

[ type. **1G PLATE / METAL / WITH LOGO.** ]

---

[ info. **MEASUREMENTS.** ]

---



---

[ info. **SPECIFICATIONS.** ]

---

Our Metal Electricity range has solid stainless steel plates, in our signature white, steel, brass, smoked bronze and black finishes.

Style: 1G metal plate + infills.

For use with class 1 modules only / Must be grounded.

Recommended Back Box:

Standard flush mounted 1G back box. See dimensions of chosen module(s) for required back box depth.

---

[ info. **FINISH & SKU NUMBERS.** ]

---

[ finish. ]

[ US. ]

White	NPL-023061
Steel	NPL-07292
Brass	NPL-05289
Smoked Bronze	NPL-09291
Black	NPL-053060

---

[ info. **CARE INSTRUCTIONS.** ]

---

Wipe with lint free cloth with no loose hairs, avoid using any chemicals. All finishes are prone to aging.

---

[ info. **CERTIFICATION.** ]

---

Plates: Underwriters Laboratories cULus listed for use throughout North America: E507052.

---

[ please. **NOTE.** ]

---

DISCLAIMER: Always consult a trade professional when installing this plate. Buster + Punch is not responsible for the usage or feasibility of installation requirements. This product is not suitable for lint free or wet environments.

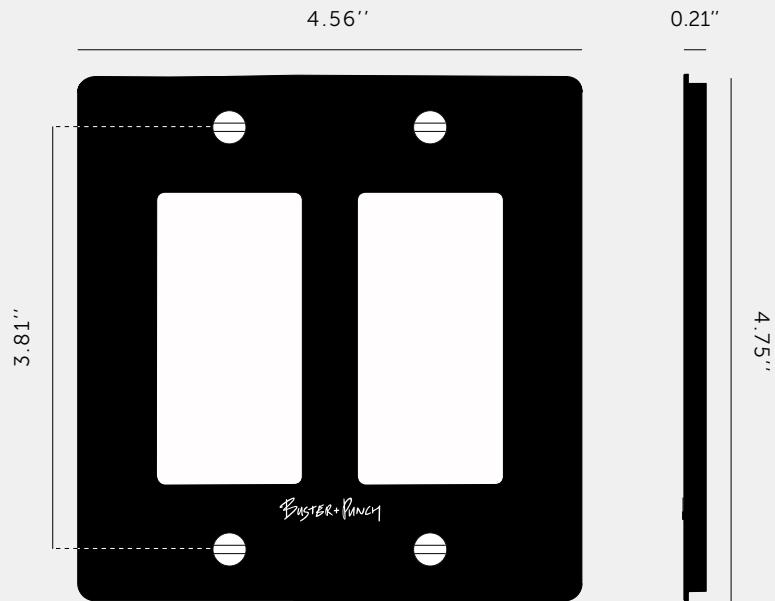
---

[ type. **2G PLATE / METAL / WITH LOGO.** ]

---

[ info. **MEASUREMENTS.** ]

---



---

[ info. **SPECIFICATIONS.** ]

---

Our Metal Electricity range has solid stainless steel plates, in our signature white, steel, brass, smoked bronze and black finishes.

Style: 2G metal plate + infills.

For use with class 1 modules only / Must be grounded.

Recommended back box:

Standard flush mounted 2G back box. See dimensions of chosen module(s) for required back box depth.

---

[ info. **FINISH & SKU NUMBERS.** ]

---

[ finish. ]

[ US. ]

● White	NPL-143064
● Steel	NPL-07297
● Brass	NPL-05294
● Smoked Bronze	NPL-09296
● Black	NPL-023063

---

[ info. **CARE INSTRUCTIONS.** ]

---

Wipe with lint free cloth with no loose hairs, avoid using any chemicals. All finishes are prone to aging.

---

[ info. **CERTIFICATION.** ]

---

Plates: Underwriters Laboratories cULus listed for use throughout North America: E507052.

---

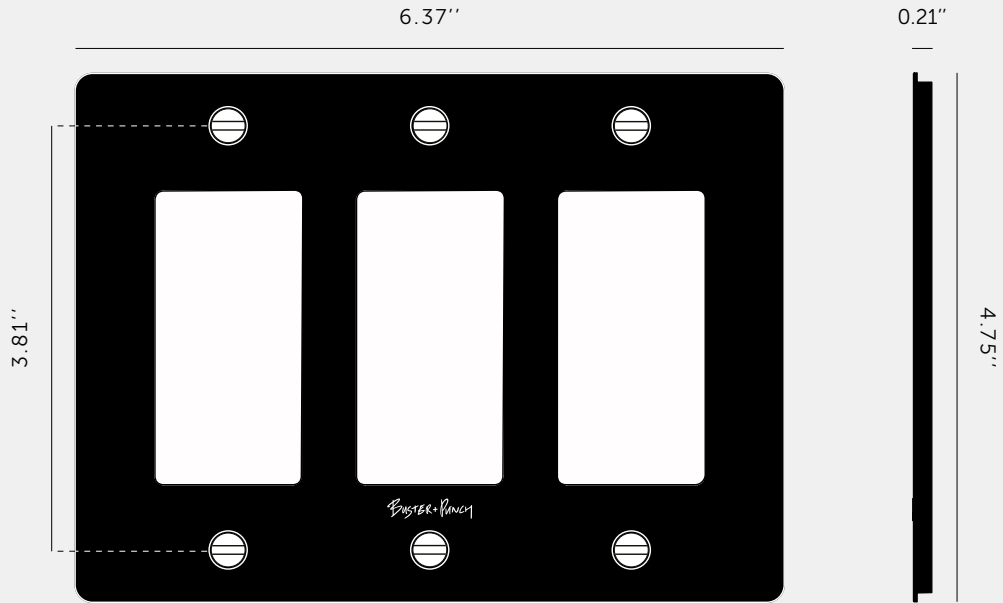
[ please. **NOTE.** ]

---

DISCLAIMER: Always consult a trade professional when installing this plate. Buster + Punch is not responsible for the usage or feasibility of installation requirements. This product is not suitable for lint free or wet environments.

[ type. **3G PLATE / METAL / WITH LOGO.** ]

[ info. **MEASUREMENTS.** ]



[ info. **SPECIFICATIONS.** ]

Our Metal Electricity range has solid stainless steel plates, in our signature white, steel, brass, smoked bronze and black finishes.

Style: 3G metal plate + infills.

For use with class 1 modules only / Must be grounded

Recommended back box:

Standard flush mounted 3G back box. See dimensions of chosen module(s) for required back box depth.

[ info. **FINISH & SKU NUMBERS.** ]

[ finish. ]

[ US. ]

White	NPL-143067
Steel	NPL-07302
Brass	NPL-05299
Smoked Bronze	NPL-09301
Black	NPL-023066

[ info. **CARE INSTRUCTIONS.** ]

Wipe with lint free cloth with no loose hairs, avoid using any chemicals. All finishes are prone to aging.

[ info. **CERTIFICATION.** ]

Plates: Underwriters Laboratories cULus listed for use throughout North America: E507052.

[ please. **NOTE.** ]

DISCLAIMER: Always consult a trade professional when installing this plate. Buster + Punch is not responsible for the usage or feasibility of installation requirements. This product is not suitable for lint free or wet environments.

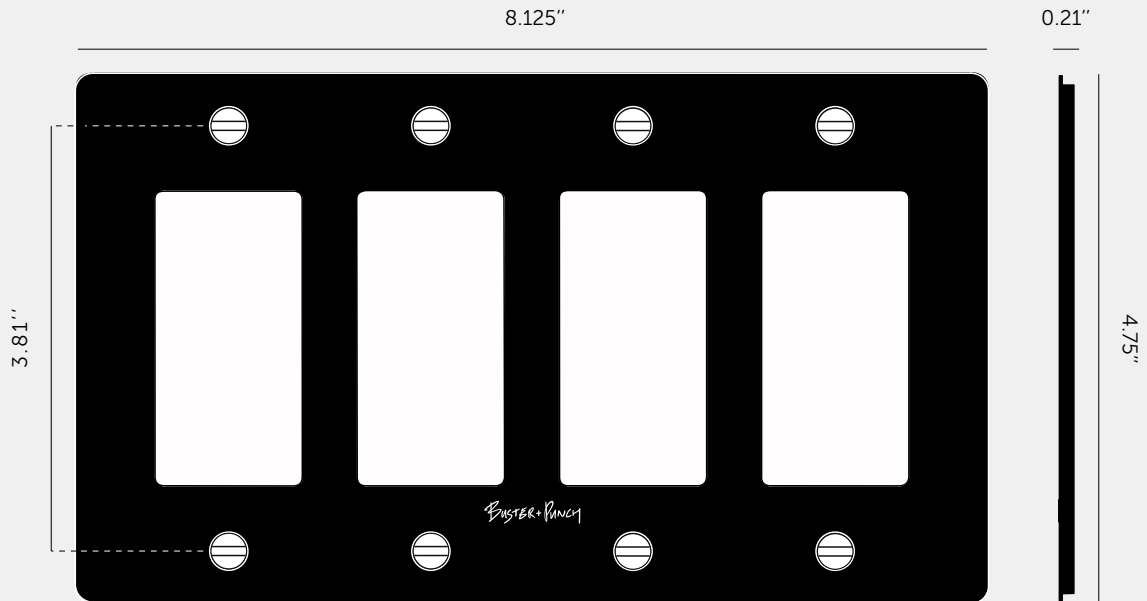
---

[ type. **4G PLATE / METAL / WITH LOGO.** ]

---

[ info. **MEASUREMENTS.** ]

---



---

[ info. **SPECIFICATIONS.** ]

---

Our Metal Electricity range has solid stainless steel plates, in our signature white, steel, brass, smoked bronze and black finishes.

Style: 4G metal plate + infills.

For use with class 1 modules only / Must be grounded.

Recommended back box:

Standard flush mounted 4G back box. See dimensions of chosen module(s) for required back box depth.

---

[ info. **FINISH & SKU NUMBERS.** ]

---

[ finish. ]

[ US. ]

● White	NPL-143070
● Steel	NPL-07307
● Brass	NPL-05304
● Smoked Bronze	NPL-09306
● Black	NPL-023069

---

[ info. **CARE INSTRUCTIONS.** ]

---

Wipe with lint free cloth with no loose hairs, avoid using any chemicals. All finishes are prone to aging.

---

[ info. **CERTIFICATION.** ]

---

Plates: Underwriters Laboratories cULus listed for use throughout North America: E507052.

---

[ please. **NOTE.** ]

---

DISCLAIMER: Always consult a trade professional when installing this plate. Buster + Punch is not responsible for the usage or feasibility of installation requirements. This product is not suitable for lint free or wet environments.

[ product. ]

## ELECTRICITY / 1G-4G PLATE / METAL / WITHOUT LOGO

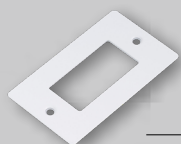
[ with. **INFILLS.** ]

[ detail. **COIN SCREW.** ]

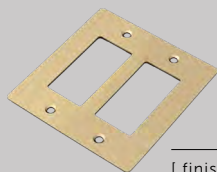
[ born. **LONDON.** ]

[ region. **NORTH AMERICA.** ]

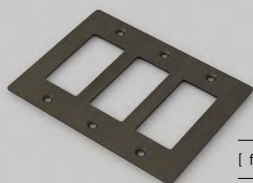
Decorative cover plate sets in a variety of quality finishes, complete with flush fitting infills. Designed to be completed with range of module inserts to suit a broad spectrum of requirements for lighting control, power supply and device charging. Always finish with our signature details kit & coin screws.



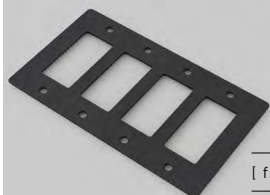
[ finish. **WHITE / WITHOUT LOGO.** ]



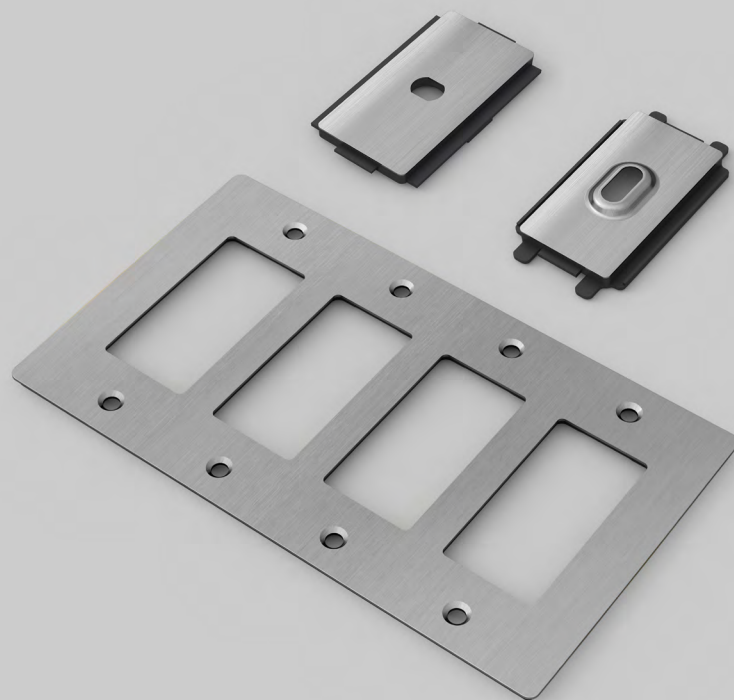
[ finish. **BRASS / WITHOUT LOGO.** ]



[ finish. **SMOKED BRONZE.** ]



[ finish. **BLACK.** ]



[ finish. **STEEL / WITHOUT LOGO.** ]



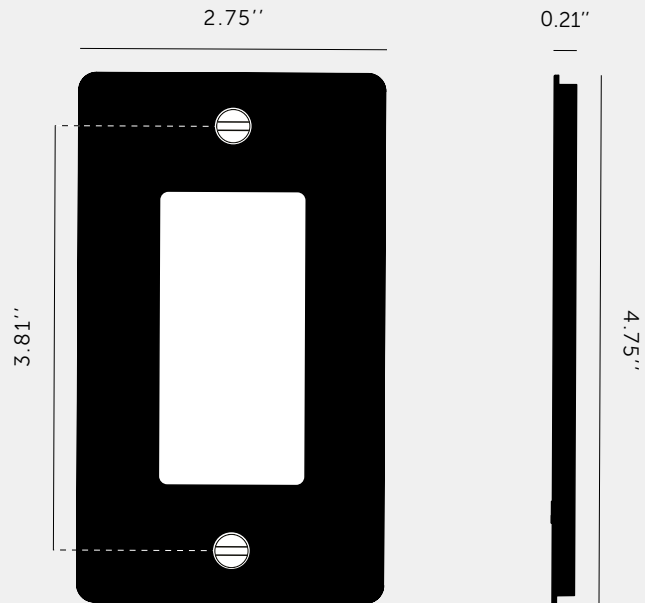
---

[ type. **1G PLATE / METAL / WITHOUT LOGO.** ]

---

[ info. **MEASUREMENTS.** ]

---



---

[ info. **SPECIFICATIONS.** ]

---

Our Metal Electricity range has solid stainless steel plates, in our signature white, steel, brass, smoked bronze and black finishes.

Style: 1G metal plate + infills.

For use with class 1 modules only / Must be grounded.

Recommended Back Box:

Standard flush mounted 1G back box. See dimensions of chosen module(s) for required back box depth.






---

[ info. **FINISH & SKU NUMBERS.** ]

---

[ finish. ]

[ US. ]

 White	NPL-143581
 Steel	NPL-073580
 Brass	NPL-053578
 Smoked Bronze	NPL-093579
 Black	NPL-023577

---

[ info. **CARE INSTRUCTIONS.** ]

---

Wipe with lint free cloth with no loose hairs, avoid using any chemicals. All finishes are prone to aging.

---

[ info. **CERTIFICATION.** ]

---

Plates: Underwriters Laboratories cULus listed for use throughout North America: E507052.

---

[ please. **NOTE.** ]

---

DISCLAIMER: Always consult a trade professional when installing this plate. Buster + Punch is not responsible for the usage or feasibility of installation requirements. This product is not suitable for lint free or wet environments.

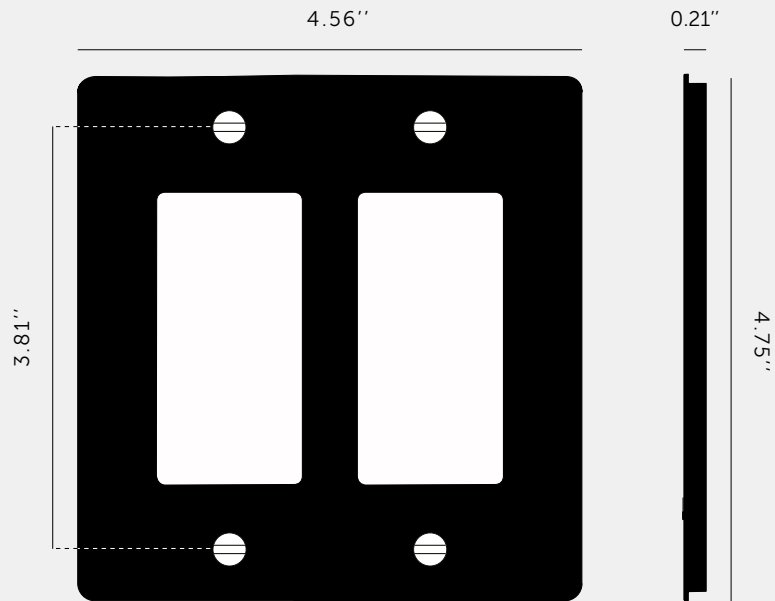
---

[ type. **2G PLATE / METAL / WITHOUT LOGO.** ]

---

[ info. **MEASUREMENTS.** ]

---



---

[ info. **SPECIFICATIONS.** ]

---

Our Metal Electricity range has solid stainless steel plates, in our signature white, steel, brass, smoked bronze and black finishes.

Style: 2G metal plate + infills.

For use with class 1 modules only / Must be grounded.

Recommended back box:

Standard flush mounted 2G back box. See dimensions of chosen module(s) for required back box depth.






---

[ info. **FINISH & SKU NUMBERS.** ]

---

[ finish. ]

[ US. ]

 White	NPL-143586
 Steel	NPL-073585
 Brass	NPL-053583
 Smoked Bronze	NPL-093584
 Black	NPL-023582

---

[ info. **CARE INSTRUCTIONS.** ]

---

Wipe with lint free cloth with no loose hairs, avoid using any chemicals. All finishes are prone to aging.

---

[ info. **CERTIFICATION.** ]

---

Plates: Underwriters Laboratories cULus listed for use throughout North America: E507052.

---

[ please. **NOTE.** ]

---

DISCLAIMER: Always consult a trade professional when installing this plate. Buster + Punch is not responsible for the usage or feasibility of installation requirements. This product is not suitable for lint free or wet environments.

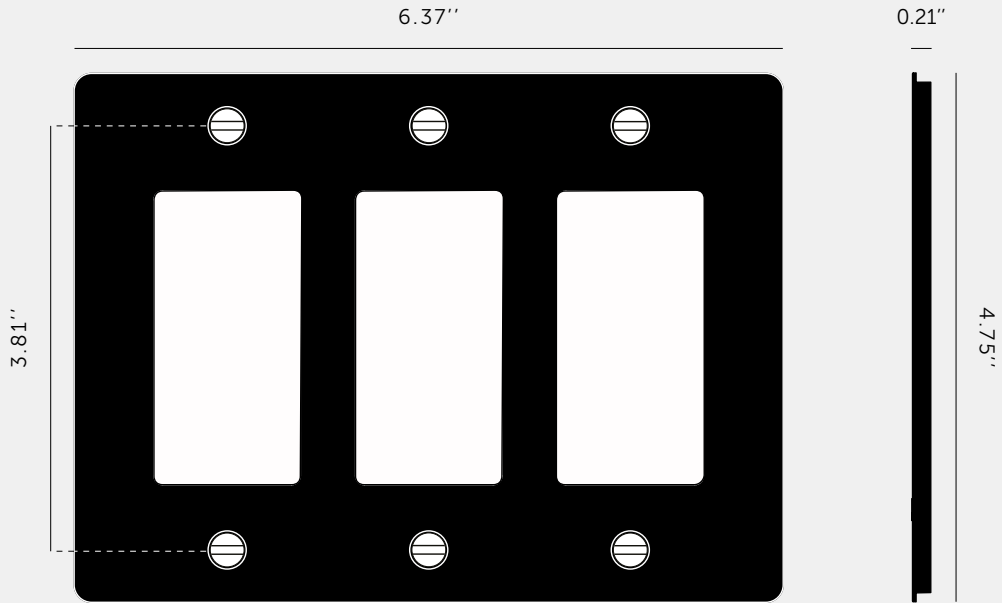
---

[ type. **3G PLATE / METAL / WITHOUT LOGO.** ]

---

[ info. **MEASUREMENTS.** ]

---



---

[ info. **SPECIFICATIONS.** ]

---

Our Metal Electricity range has solid stainless steel plates, in our signature white, steel, brass, smoked bronze and black finishes.

Style: 3G metal plate + infills.

For use with class 1 modules only / Must be grounded

Recommended back box:

Standard flush mounted 3G back box. See dimensions of chosen module(s) for required back box depth.

---

[ info. **FINISH & SKU NUMBERS.** ]

---

[ finish. ]

[ US. ]

● White	NPL-143591
● Steel	NPL-073590
● Brass	NPL-053588
● Smoked Bronze	NPL-093589
● Black	NPL-023587

---

[ info. **CARE INSTRUCTIONS.** ]

---

Wipe with lint free cloth with no loose hairs, avoid using any chemicals. All finishes are prone to aging.

---

[ info. **CERTIFICATION.** ]

---

Plates: Underwriters Laboratories cULus listed for use throughout North America: E507052.

---

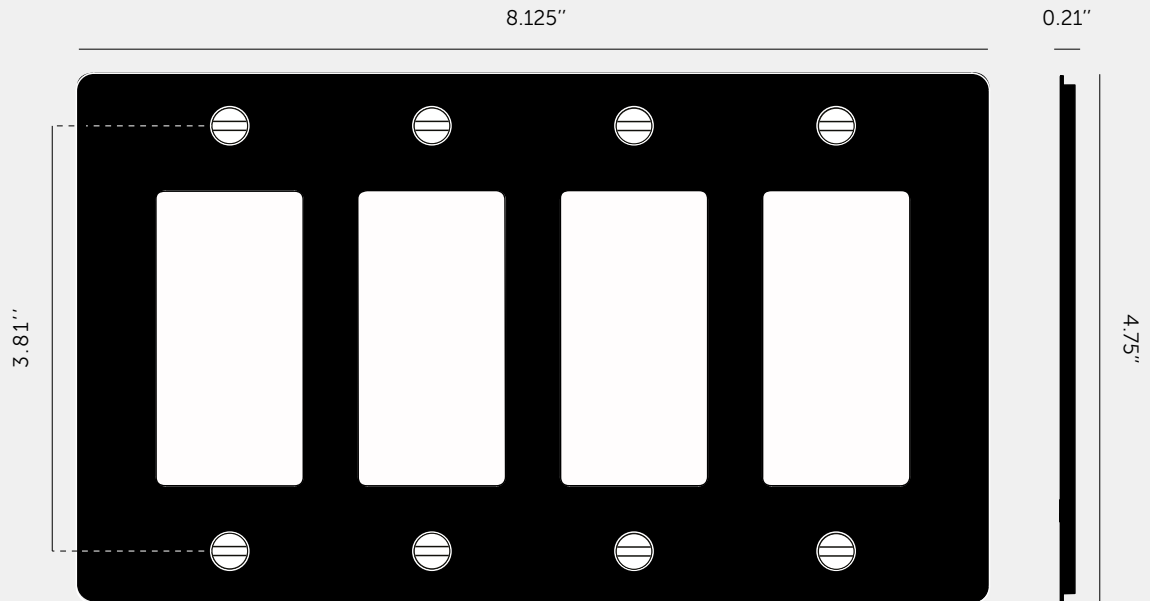
[ please. **NOTE.** ]

---

DISCLAIMER: Always consult a trade professional when installing this plate. Buster + Punch is not responsible for the usage or feasibility of installation requirements. This product is not suitable for lint free or wet environments.

[ type. **4G PLATE / METAL / WITHOUT LOGO.** ]

[ info. **MEASUREMENTS.** ]



[ info. **SPECIFICATIONS.** ]

Our Metal Electricity range has solid stainless steel plates, in our signature white, steel, brass, smoked bronze and black finishes.

Style: 4G metal plate + infills.

For use with class 1 modules only / Must be grounded.

Recommended back box:

Standard flush mounted 4G back box. See dimensions of chosen module(s) for required back box depth.

[ info. **FINISH & SKU NUMBERS.** ]

[ finish. ]

[ US. ]

White	NPL-143596
Steel	NPL-073595
Brass	NPL-053593
Smoked Bronze	NPL-093594
Black	NPL-023592

[ info. **CARE INSTRUCTIONS.** ]

Wipe with lint free cloth with no loose hairs, avoid using any chemicals. All finishes are prone to aging.

[ info. **CERTIFICATION.** ]

Plates: Underwriters Laboratories cULus listed for use throughout North America: E507052.

[ please. **NOTE.** ]

DISCLAIMER: Always consult a trade professional when installing this plate. Buster + Punch is not responsible for the usage or feasibility of installation requirements. This product is not suitable for lint free or wet environments.

# BUSTER+PUNCH

LONDON

[ product. ]

## ELECTRICITY / 1G-4G PLATE / POLYCARB

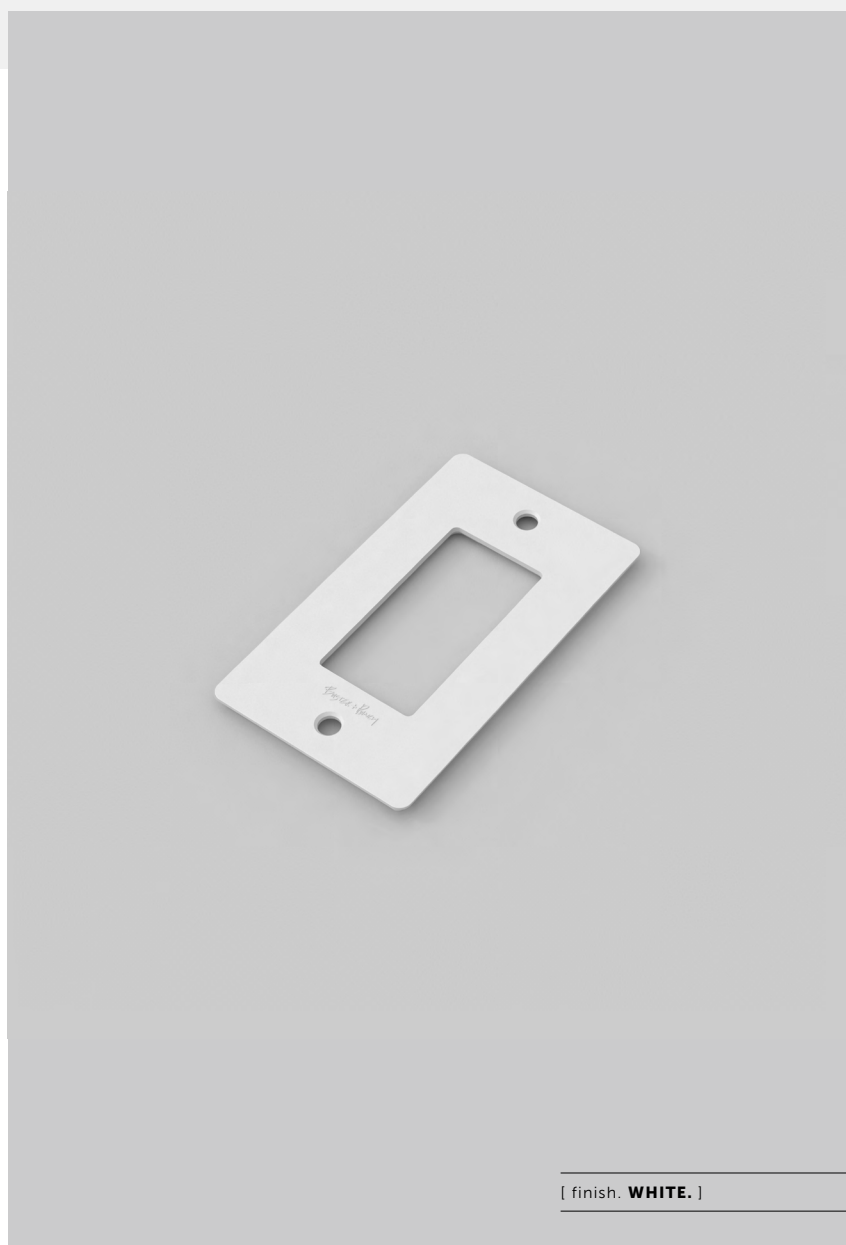
[ with. **INFILLS.** ]

[ detail. **COIN SCREW.** ]

[ born. **LONDON.** ]

[ region. **NORTH AMERICA.** ]

Decorative cover plate sets in a variety of two quality painted finishes, complete with flush fitting infills. Designed to be completed with range of module inserts to suit a broad spectrum of requirements for lighting control, power supply and device charging. Always finish with our signature details kit & coin screws.



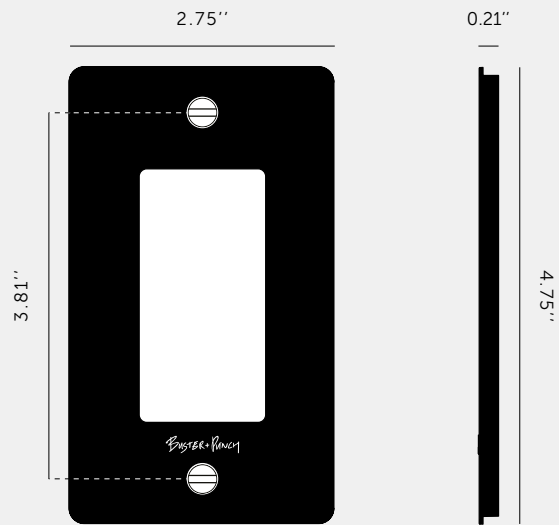
---

[ type. **1G PLATE / POLYCARB.** ]

---

[ info. **MEASUREMENTS.** ]

---



---

[ info. **SPECIFICATIONS.** ]

---

Our Polycarbonate Electricity range plates are made of polycarbonate, painted black or white with a moulded Buster + Punch logo.

Style: 1G finishing plate + infills.

For use with class 1 modules only / Must be grounded.

Recommended Back Box:

Standard flush mounted 1G back box. See dimensions of chosen module(s) for required back box depth.

---

[ info. **FINISH & SKU NUMBERS.** ]

---

[ finish. ]

[ US. ]

● White

NPL-14293

● Black

NPL-02290

---

[ info. **CERTIFICATION.** ]

---

Plates: Underwriters Laboratories cULus listed for use throughout North America: E507051.

---

[ info. **CARE INSTRUCTIONS.** ]

---

Wipe with lint free cloth with no loose hairs, avoid using any chemicals. All finishes are prone to aging.

---

[ please. **NOTE.** ]

---

DISCLAIMER: Always consult a trade professional when installing this plate. Buster + Punch is not responsible for the usage or feasibility of installation requirements. This product is not suitable for lint free or wet environments.

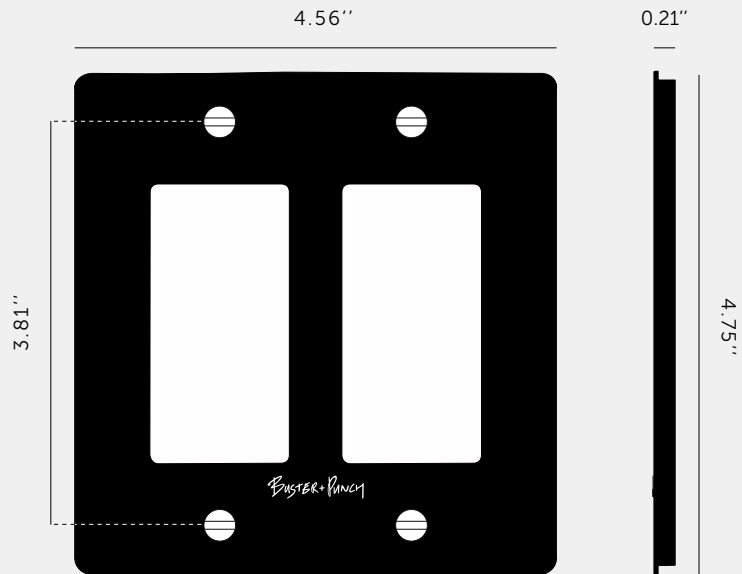
---

[ type. **2G PLATE / POLYCARB.** ]

---

[ info. **MEASUREMENTS.** ]

---



---

[ info. **SPECIFICATIONS.** ]

---

Our Polycarbonate Electricity range plates are made of polycarbonate, painted black or white with a moulded Buster + Punch logo.

Style: 2G finishing plate + infills.

For use with class 1 modules only / Must be grounded.

Recommended back box:

Standard flush mounted 2G back box. See dimensions of chosen module(s) for required back box depth.

---

[ info. **FINISH & SKU NUMBERS.** ]

---

[ finish. ]

[ US. ]

● White

NPL-14298

● Black

NPL-02295

---

[ info. **CERTIFICATION.** ]

---

Plates: Underwriters Laboratories cULus listed for use throughout North America: E507051.

---

[ info. **CARE INSTRUCTIONS.** ]

---

Wipe with lint free cloth with no loose hairs, avoid using any chemicals. All finishes are prone to aging.

---

[ please. **NOTE.** ]

---

DISCLAIMER: Always consult a trade professional when installing this plate. Buster + Punch is not responsible for the usage or feasibility of installation requirements. This product is not suitable for lint free or wet environments.

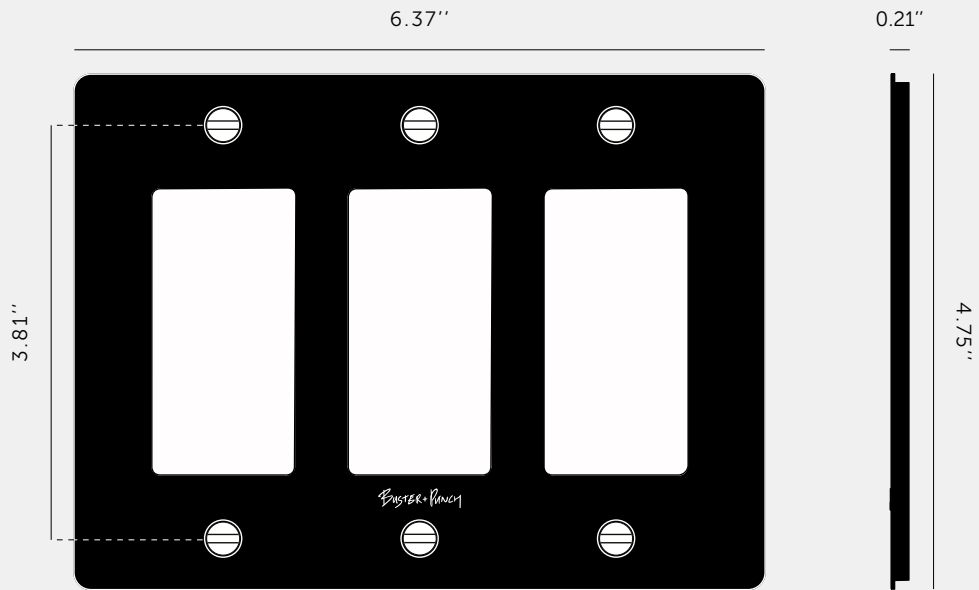
---

[ type. **3G PLATE / POLYCARB.** ]

---

[ info. **MEASUREMENTS.** ]

---



---

[ info. **SPECIFICATIONS.** ]

---

Our Polycarbonate Electricity range plates are made of polycarbonate, painted black or white with a moulded Buster + Punch logo.

Style: 3G finishing plate + infills.

For use with class 1 modules only / Must be grounded.

Recommended back box:

Standard flush mounted 3G back box. See dimensions of chosen module(s) for required back box depth.

---

[ info. **FINISH & SKU NUMBERS.** ]

---

[ finish. ]

[ US. ]

● White

NPL-14303

● Black

NPL-02300

---

[ info. **CERTIFICATION.** ]

---

Plates: Underwriters Laboratories cULus listed for use throughout North America: E507051.

---

[ info. **CARE INSTRUCTIONS.** ]

---

Wipe with lint free cloth with no loose hairs, avoid using any chemicals. All finishes are prone to aging.

---

[ please. **NOTE.** ]

---

DISCLAIMER: Always consult a trade professional when installing this plate. Buster + Punch is not responsible for the usage or feasibility of installation requirements. This product is not suitable for lint free or wet environments.



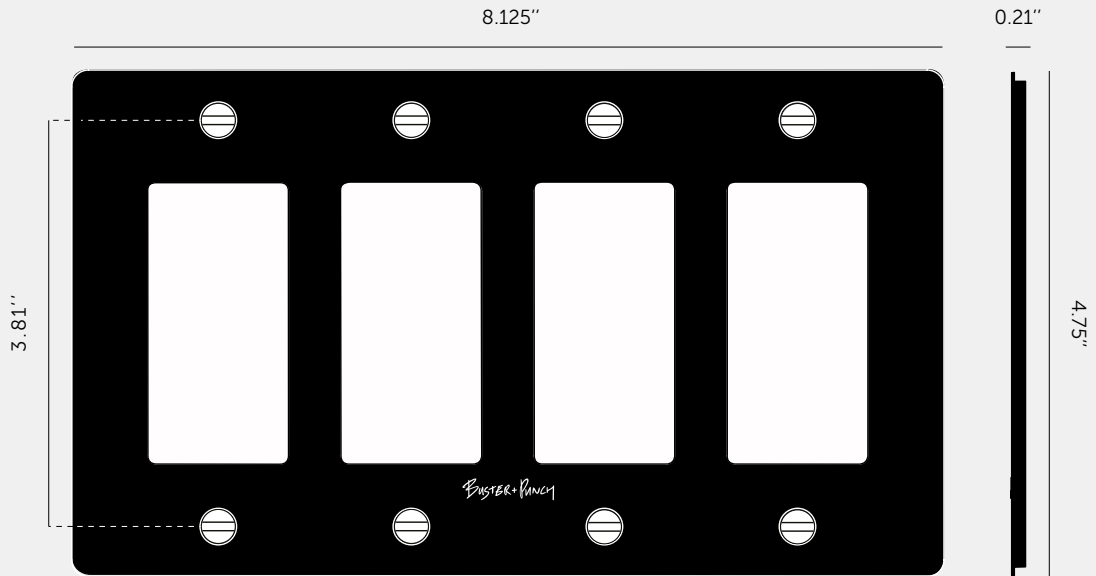
---

[ type. **4G PLATE / POLYCARB.** ]

---

[ info. **MEASUREMENTS.** ]

---



---

[ info. **SPECIFICATIONS.** ]

---

Our Polycarbonate Electricity range plates are made of polycarbonate, painted black or white with a moulded Buster + Punch logo.

Style: 4G finishing plate + infills.

For use with class 1 modules only / Must be grounded.

Recommended back box:

Standard flush mounted 4G back box. See dimensions of chosen module(s) for required back box depth.

---

[ info. **FINISH & SKU NUMBERS.** ]

---

[ finish. ]

[ US. ]

● White

NPL-14308

● Black

NPL-02305

---

[ info. **CERTIFICATION.** ]

---

Plates: Underwriters Laboratories cULus listed for use throughout North America: E507051.

---

[ info. **CARE INSTRUCTIONS.** ]

---

Wipe with lint free cloth with no loose hairs, avoid using any chemicals. All finishes are prone to aging.

---

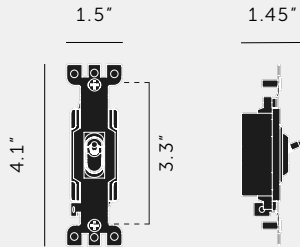
[ please. **NOTE.** ]

---

DISCLAIMER: Always consult a trade professional when installing this plate. Buster + Punch is not responsible for the usage or feasibility of installation requirements. This product is not suitable for lint free or wet environments.

[ type. **TOGGLE MODULES.** ]

[ info. **SPEC SHEET.** ]



[ Finish. ]

[ SKU. ]

[ info. **SPECIFICATION.** ]

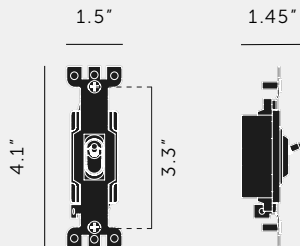
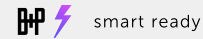
● Black

NTM-01384

**TOGGLE MODULE**

Style: On / Off Toggle Switch  
Input: 120 - 277VAC / 60Hz  
Load: 15A  
Switching: 3 way (max 2 per circuit)  
Certification: cETLus 5005703  
Compatibility: 3-Way & 4-way switches.  
Not compatible with retractive switches.

Testing Includes:  
Overload - 125 cycles @ 150% max load  
Endurance - 10,000 cycles @ 100% max load  
Dielectric Voltage Withstand - 1500V



[ Finish. ]

[ SKU. ]

[ info. **SPECIFICATION.** ]

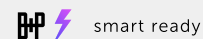
● Black

NTM-023526

**TOGGLE MODULE / RETRACTIVE**

Style: Momentary On / Off Toggle Switch  
Input: 120 - 277VAC / 60Hz  
Load: 15A  
Switching: Retractive (multiple location dimming, up to 10 switches on 1 circuit)  
Certification: cETLus 5005703  
Compatibility: Industry-standard smart control modules & our multipoint dimmers. Not compatible with 3-Way & 4-way switches.

Testing Includes:  
Overload - 125 cycles @ 150% max load  
Endurance - 10,000 cycles @ 100% max load  
Dielectric Voltage Withstand - 1500V



[ info. **CARE INSTRUCTIONS.** ]

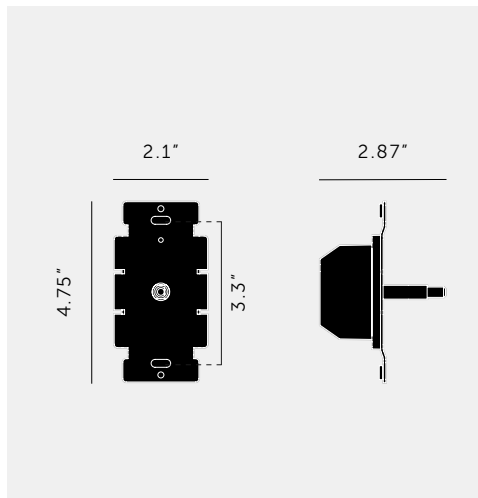
Wipe with lint free cloth with no loose hairs, avoid using any chemicals. All finishes are prone to ageing. Please note that finishes may age naturally with time and regular use.

[ please. **NOTE.** ]

DISCLAIMER: Always consult a trade professional when installing these outlets. Buster + Punch is not responsible for the usage or feasibility of installation requirements. This product is not suitable for lint free or wet environments.

[ type. **DIMMER MODULES.** ]

[ info. **SPEC SHEET.** ]



[ Finish. ]

[ SKU. ]

[ info. **SPECIFICATION.** ]

● Grey

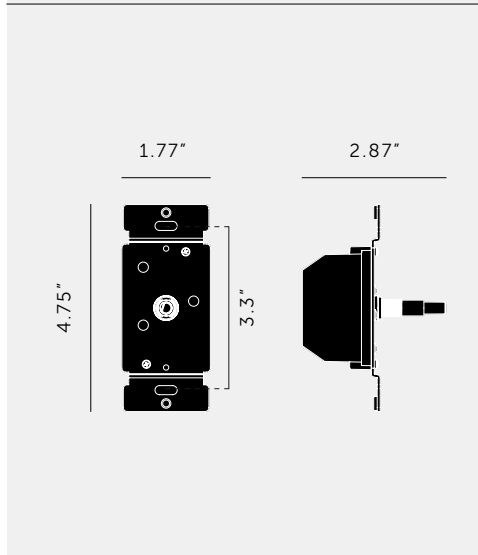
NDM-01385

**DIMMER MODULE / INCANDESCENT**

Style: Push ON/OFF Rotary Dimmer with 3 way switching  
Input: 100 - 120VAC 60 Hz  
Dimming Type: Leading Edge  
Load: 600W max. HAL / INC. 5-150W LED  
Operating Temperature: 32° - 95°F / 0° - 35°C  
Humidity: 10 - 90% R.H.  
Certifications: cETLus 5008883  
Compatibility: 3-Way & 4-way switches. Not compatible with retractive switches. Not compatible with non-dimmable bulbs and energy saving bulbs (CFLs)

Testing Includes:

Overload - 100 cycles @ 150% max load  
Endurance - 10,000 cycles @ 100% max load  
Dielectric Voltage Withstand - 1500V  
Grounding



[ Finish. ]

[ SKU. ]

[ info. **SPECIFICATION.** ]

● Grey

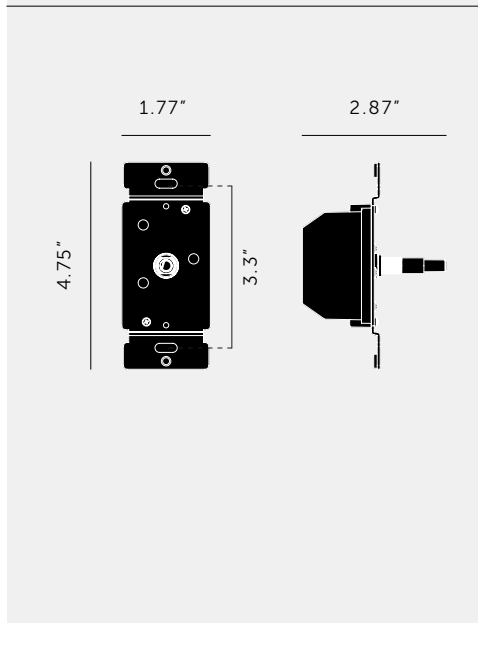
NDM-024061

**DIMMER MODULE / LED**

Style: Push ON/OFF Rotary Dimmer  
Input: 100 - 120V AC 60 HZ  
Dimming Type: Auto Detect Trailing Edge & Leading Edge, with manual setting of LE/TE modes.  
Load: HAL / INC 10-300W. LED 5-250W  
Operating Temperature: 32° - 95°F / 0° - 35°C  
Humidity: 10 - 90% R.H.  
Certifications: cETLus 5008883  
Compatibility: 3-Way & 4-way switches. Not compatible with retractive switches. Not compatible with non-dimmable bulbs, compact fluorescent lamps or electric motors and energy saving bulbs (CFLs).

Testing Includes:

Overload - 100 cycles @ 150% max load  
Endurance - 10,000 cycles @ 100% max load  
Dielectric Voltage Withstand - 1500V



[ Finish. ]

[ SKU. ]

[ info. **SPECIFICATION.** ]

● Grey

NDM-013407

**DIMMER MODULE / MULTIPOINT LED**

Style: Push ON/OFF Rotary Dimmer with multi location dimming via retractive switches.  
Input: 100 - 120V AC 60 HZ  
Dimming Type: Auto Detect Trailing Edge, Leading Edge with manual setting of LE/TE modes.  
Load: HAL / INC 10-300W. LED 5-250W  
Operating Temperature: 32° - 95°F / 0° - 35°C  
Humidity: 10 - 90% R.H.  
Certifications: cULus E533655  
Compatibility: Compatible with Retractive Switches only. Not compatible with 3-Way & 4-way switches. Not compatible with non-dimmable bulbs, compact fluorescent lamps or electric motors. and energy saving bulbs (CFLs). When paired with our retractive toggle modules switches, the full functionality of the dimmer is possible from up to 10 locations.

Testing Includes:

Overload - 100 cycles @ 150% max load  
Endurance - 10,000 cycles @ 100% max load  
Dielectric Voltage Withstand - 1500V

[ info. **CARE INSTRUCTIONS.** ]

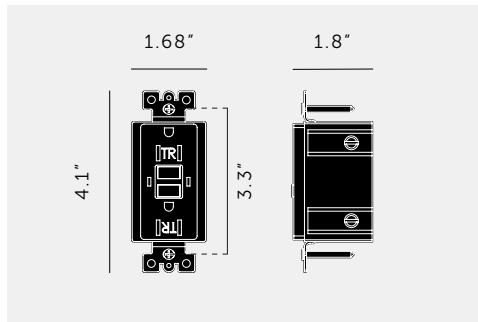
Wipe with lint free cloth with no loose hairs, avoid using any chemicals. All finishes are prone to ageing. Please note that finishes may age naturally with time and regular use.

[ please. **NOTE.** ]

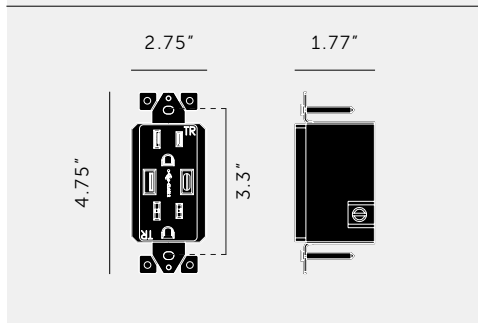
DISCLAIMER: Always consult a trade professional when installing these outlets. Buster + Punch is not responsible for the usage or feasibility of installation requirements. This product is not suitable for lint free or wet environments.

[ type. **SOCKET MODULES.** ]

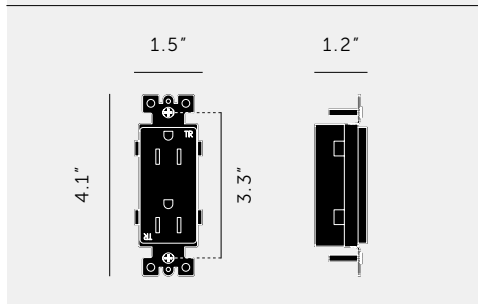
[ info. **SPEC SHEET.** ]



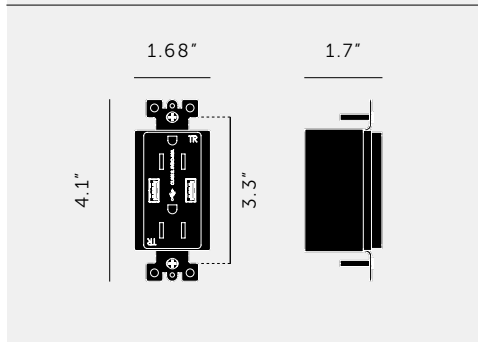
[ Finish. ]	[ SKU. ]	[ info. <b>SPECIFICATION.</b> ]
<ul style="list-style-type: none"> <li><span style="display: inline-block; width: 10px; height: 10px; background-color: white; border-radius: 50%; margin-right: 5px;"></span> White</li> <li><span style="display: inline-block; width: 10px; height: 10px; background-color: black; border-radius: 50%; margin-right: 5px;"></span> Black</li> </ul>	<ul style="list-style-type: none"> <li>NSM-143241</li> <li>NSM-023240</li> </ul>	<p><b>DUPLEX OUTLET GFCI MODULE</b></p> <p>Style: Duplex Outlet GFCI            Input: 125VAC / 60Hz            Load: 15A            Class 1 outlet / Must be grounded. Tamper resistant            Ground fault protection            Certification: cULus listed            Must be grounded.</p>



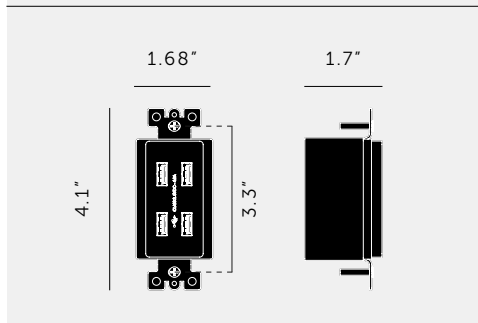
[ Finish. ]	[ SKU. ]	[ info. <b>SPECIFICATION.</b> ]
<ul style="list-style-type: none"> <li><span style="display: inline-block; width: 10px; height: 10px; background-color: white; border-radius: 50%; margin-right: 5px;"></span> White</li> <li><span style="display: inline-block; width: 10px; height: 10px; background-color: black; border-radius: 50%; margin-right: 5px;"></span> Black</li> </ul>	<ul style="list-style-type: none"> <li>NSM-143243</li> <li>NSM-023242</li> </ul>	<p><b>DUPLEX OUTLET MODULE + 2 USB - A + C</b></p> <p>Style: Duplex Outlet &amp; 2 x USB Charger            Input: 125VAC / 60Hz            Load / Outlet: 15A            Load / USB A: 5VDC / 2.4A            Load / USB C: PD'QC3.0            Certification: cETLus listed 5005536            Must be grounded.</p>



[ Finish. ]	[ SKU. ]	[ info. <b>SPECIFICATION.</b> ]
<ul style="list-style-type: none"> <li><span style="display: inline-block; width: 10px; height: 10px; background-color: white; border-radius: 50%; margin-right: 5px;"></span> White</li> <li><span style="display: inline-block; width: 10px; height: 10px; background-color: black; border-radius: 50%; margin-right: 5px;"></span> Black</li> </ul>	<ul style="list-style-type: none"> <li>NXM-14253</li> <li>NXM-02252</li> </ul>	<p><b>DUPLEX 5-15R OUTLET</b></p> <p>Style: Duplex Outlet            Input: 125VAC / 60Hz            Load: 15A            Class 1 outlet / Must be grounded. Tamper resistant            Certification: cULus listed            Must be grounded.</p>



[ Finish. ]	[ SKU. ]	[ info. <b>SPECIFICATION.</b> ]
<ul style="list-style-type: none"> <li><span style="display: inline-block; width: 10px; height: 10px; background-color: white; border-radius: 50%; margin-right: 5px;"></span> White</li> <li><span style="display: inline-block; width: 10px; height: 10px; background-color: black; border-radius: 50%; margin-right: 5px;"></span> Black</li> </ul>	<ul style="list-style-type: none"> <li>NSC-14387</li> <li>NSC-02386</li> </ul>	<p><b>DUPLEX 5-15R OUTLET + 2 X USB CHARGER</b></p> <p>Style: Duplex Outlet + 2 x USB Charger            Input: 125VAC / 60Hz            Load / Outlet: 15A            Load / USB A: 5VDC / Total 4.0A            Operating Temperature: -4 - 140°F / -20 - 60°C            Compatibility / USB: USB A 1.1 / 2.0 / 3.0 devices            Class 1 outlet / Must be grounded. Tamper resistant            Certification: cULus listed            Must be grounded.</p>



[ Finish. ]	[ SKU. ]	[ info. <b>SPECIFICATION.</b> ]
<ul style="list-style-type: none"> <li><span style="display: inline-block; width: 10px; height: 10px; background-color: white; border-radius: 50%; margin-right: 5px;"></span> White</li> <li><span style="display: inline-block; width: 10px; height: 10px; background-color: black; border-radius: 50%; margin-right: 5px;"></span> Black</li> </ul>	<ul style="list-style-type: none"> <li>NSC-14389</li> <li>NSC-02388</li> </ul>	<p><b>OUTLET MODULE 4 USB CHARGER</b></p> <p>Style: 4 x USB Charger            Input: 125VAC / 60Hz            Load: 5VDC / Total 4.0A            Operating Temperature: -4 - 140°F / -20 - 60°C            Compatibility: USB A 1.1 / 2.0 / 3.0 devices.            Class 1 outlet / Must be grounded. Tamper resistant.            Certification: cULus listed            Must be grounded.</p>

[ info. **CARE INSTRUCTIONS.** ]

Wipe with lint free cloth with no loose hairs, avoid using any chemicals. All finishes are prone to ageing. Please note that finishes may age naturally with time and regular use.

[ please. **NOTE.** ]

DISCLAIMER: Always consult a trade professional when installing these outlets. Buster + Punch is not responsible for the usage or feasibility of installation requirements. This product is not suitable for lint free or wet environments.

[ product.

# DETAIL KITS

[ fyi.

**IF YOU WISH TO CREATE A MIXED FINISH, COMBINE SEPARATE  
DETAIL KITS TO ACHIEVE YOUR DESIRED LOOK. ]**

## DIMMER DETAIL KIT

[ type. **DIMMER KNOB.** ]

[ knurl. **CROSS.** ]

[ details. **SOLID METAL.** ]

[ to fit. **DIMMER SWITCH.** ]

[ finish. ]

- White
- Steel
- Brass
- Smoked Bronze
- Black

[ sku. ]

- NDK-143055
- NDK-073743
- NDK-053741
- NDK-093742
- NDK-023054



## TOGGLE DETAIL KIT

[ type. **TOGGLE ARM.** ]

[ knurl. **CROSS.** ]

[ details. **SOLID METAL.** ]

[ to fit. **TOGGLE SWITCH.** ]

[ finish. ]

- White
- Steel
- Brass
- Smoked Bronze
- Black

[ sku. ]

- NTK-14332
- NTK-07330
- NTK-05323
- NTK-09327
- NTK-02324



## OUTLET DETAIL KIT

[ type. **COIN SCREWS.** ]

[ details. **SOLID METAL.** ]

[ to fit. **PLATES.** ]

[ finish. ]

- White
- Steel
- Brass
- Smoked Bronze
- Black

[ sku. ]

- NSK-14370
- NSK-07375
- NSK-05372
- NSK-09374
- NSK-02373



**FAQ SHEET**

CATEGORY	QUESTION	ANSWER
<b>GENERAL</b>	Can I combine different modules on the same plate?	Yes, our plates are designed to accommodate a combination of modules, from 1G - 4G. Please refer to our website for purchasing options or contact one of our sales representatives for more information.
<b>MODULES</b>	What module inserts do you stock?	<p>We stock the following module inserts:</p> <ul style="list-style-type: none"> <li>• Duplex Outlet GFCI Module Module Code: Black NSM-023240 / White NSM-143241</li> <li>• Duplex Outlet Module + 2 USB - A+C Module Code: Black NSM-023242 / White NSM-143243</li> <li>• Duplex Outlet Module Module Code: Black NXM-02252 / White NXM-14253</li> <li>• Duplex Outlet Module + 2 USB Charger Module Code: Black NSC-02386 / White NSC-14387</li> <li>• Outlet Module 4 USB Charger Module Code: Black NSC-02388 / White NSC-14389</li> </ul> <ul style="list-style-type: none"> <li>• Toggle Module Module Code: NTM-01384</li> <li>• Toggle Module / Retractive Module Code: NTM-023526</li> <li>• Toggle Module / 4-way Module Code: NTM-023525</li> <li>• Dimmer Module / Incandescent Module Code: NDM-01385</li> <li>• Dimmer Module / LED Module Code: NDM-024061</li> <li>• Dimmer Module / Multipoint LED Module Code: NDM-013407</li> </ul>
<b>MODULES</b>	I want to use a module that isn't available on your website.	Our plates are designed to integrate flawlessly with our range of modules and accessories. For bespoke enquiries, please contact a member of our sales team directly.
<b>INSTALL</b>	I want to use a module that isn't available on your website.	Please reference the key dimensions of the module and mounting holes when checking compatibility. We always recommend flush mounted wall boxes, which are widely available from major retailers.
<b>INSTALL</b>	Will the plates work with my existing wall box?	We strongly recommend that our products are always installed by a qualified electrician. Always refer to the safety notices within the instruction manual before attempting any electrical installation.
<b>GENERAL</b>	Can I install my plate and modules myself ?	Yes, we stock a number of 'complete' products up to 2G, in solid finishes with matching details. Please refer to our website for purchasing options.