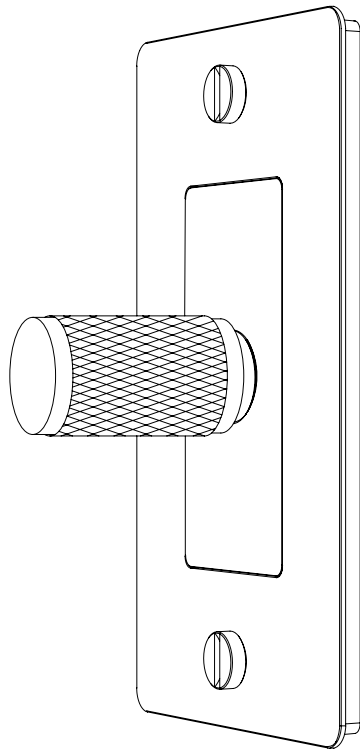


BUSTER + PUNCH
LONDON

DIMMER DETAIL KIT
INSTRUCTION MANUAL US
MANUEL D'UTILISATION É.-U.
MANUAL DE INSTRUCCIONES (EE. UU.)



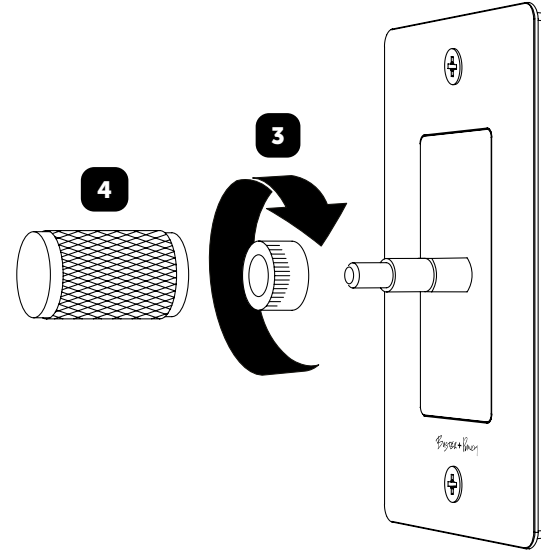
BUSTERANDPUNCH.COM
L0059



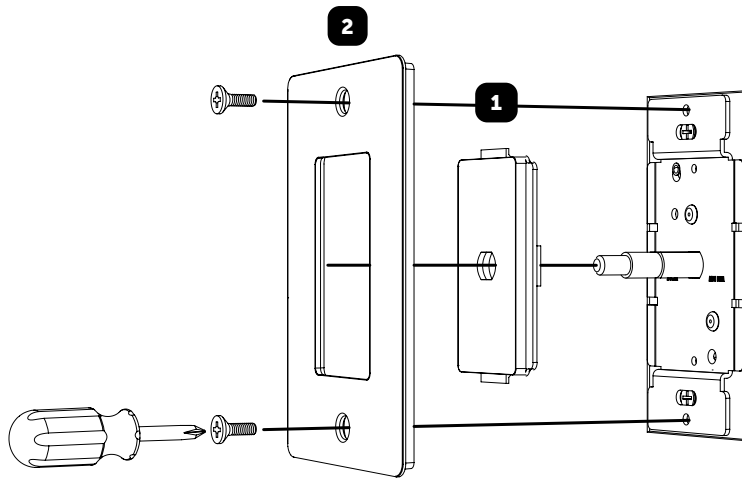
1



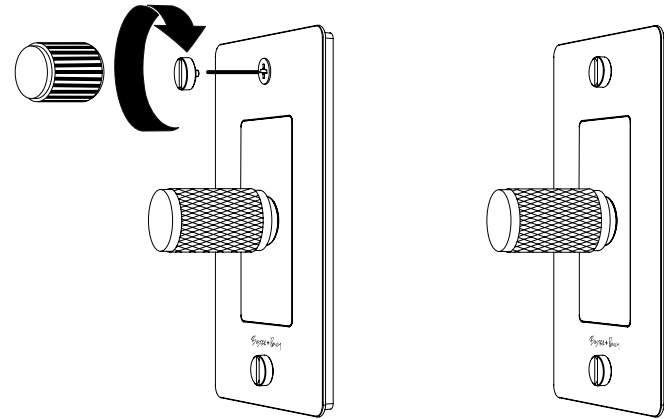
3



2



4





[end. **ORDINARY**]